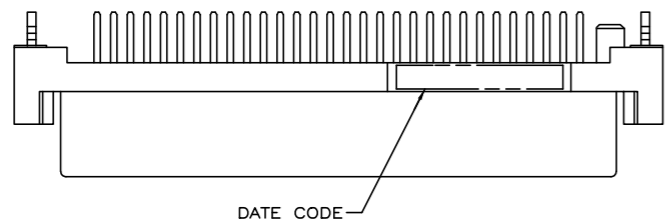
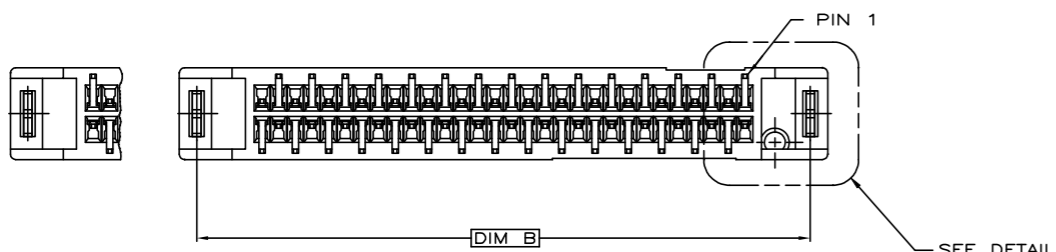
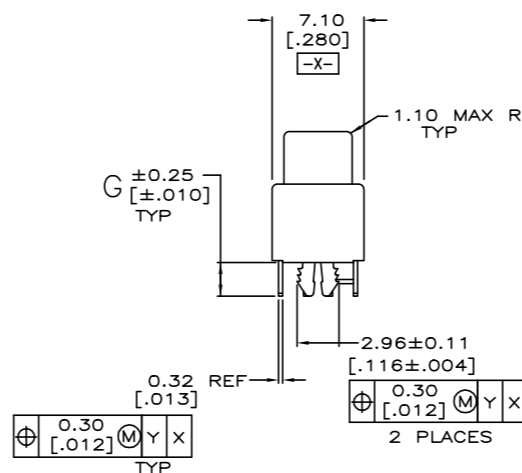
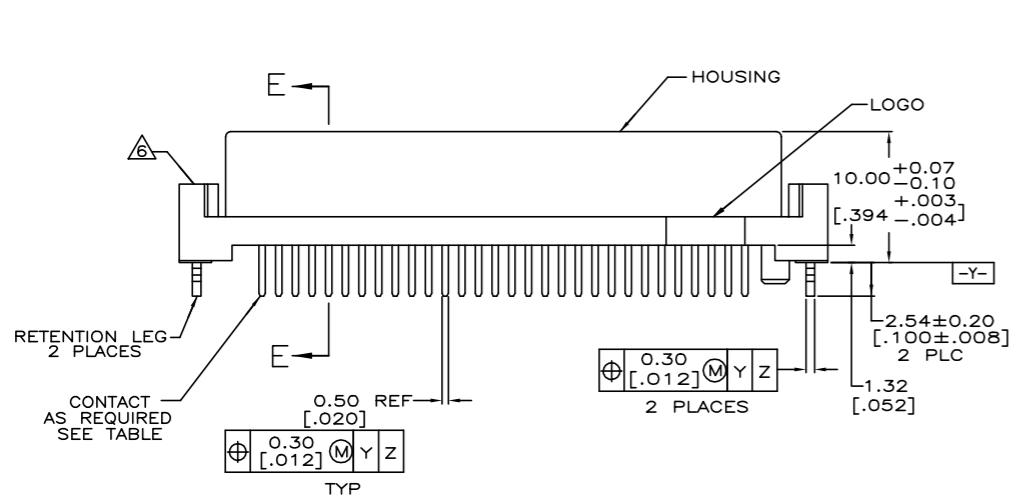
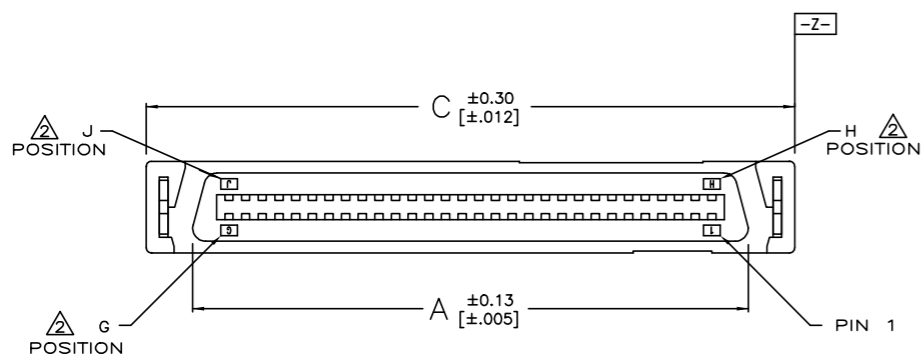


THIS DRAWING IS UNPUBLISHED. RELEASED FOR PUBLICATION AUG ,2006.
 © COPYRIGHT BY TYCO ELECTRONICS CORPORATION. ALL RIGHTS RESERVED.

LOC	DIST	REVISIONS			
P	LTR	DESCRIPTION	DATE	DWN	APVD
DW		E4	REVISED PER ECN-23-202744	14MAR23	IT WH



- MATERIALS:**
 HOUSING- PPA RESIN, BLACK, MOLDING COMPOUND.
 CONTACTS- PHOSPHOR BRONZE PLATED WITH MINIMUM THICK (SEE TABLE) GOLD IN CONTACT AREA AND 3.8μm [.000150] MINIMUM THICK MATTE TIN ON SOLDER TINES OVER 1.27μm [.000050] MINIMUM THICK NICKEL UNDERPLATE.
 RETENTION LEG- BRASS PLATED WITH 3.8μm [.000150] MINIMUM TIN-Cu OVER 1.3μm [.000051] MINIMUM NICKEL UNDERPLATE.
- ② G, J, AND H INDICATE NUMBER OF POSITION MARKED ON ASSEMBLY. ALSO SEE TABLE.
 ③ ALL DIMENSIONS SHOWN ARE MAXIMUM UNLESS OTHERWISE SPECIFIED.
 4. 60 POSITION AS SHOWN.
 ⑤ RETENTION LEGS NOT PRESENT.
 ⑥ TOP OF RETENTION LEG MAY NOT PROTRUDE ABOVE THIS SURFACE.
 ⑦ HOUSING BOW UP TO 0.30 [.012] ALLOWED.
 ⑧ CONNECTOR WILL ACCOMMODATE MATING PRINTED CIRCUIT BOARD OF 1.6±0.07 [.063±.003] THICKNESS.
 9. ALWAYS RoHS/ELV COMPLIANT.
 10. WAVE SOLDER CAPABLE TO 265°C PER TE SPEC 109-202, CONDITION B.
- ⚠ REMOVE CONTACT POSITION FROM #11~#17 AND #36~#42.
 ⚠ RECOMMEND CARD EDGE DIM. (PAGE2)
 ⚠ GOLD FLASH OVER 0.762μm MIN PALLADIUM-NICKEL PLATED, OR 0.762μm MIN GOLD PLATED.
 ⚠ OBSOLETE
 ⚠ REMOVE CONTACT POSITION FROM #23~#29 AND #57~#63.



PCB THICKNESS	G	F	C	B	A	G	J	H	A	GOLD PLATED	PART NUMBER	Note	POS.
2.36 [.093]	3.30 [.130]	38.53 [1.517]	49.45 [1.947]	46.81 [1.843]	42.37 [1.668]	30	60	31	⚠	⚠	8-1734101-6		60
2.36 [.093]	3.30 [.130]	127.43 [5.017]	138.35 [5.447]	135.71 [5.343]	131.27 [5.168]	100	200	101	⚠	⚠	GOLD FLASH 0.381um[15u"] 5-1734101-6		200
0.8-1.6 [.031-.063]	2.54 [.100]	127.43 [5.017]	138.35 [5.447]	135.71 [5.343]	131.27 [5.168]	100	200	101	⚠	⚠	GOLD FLASH 0.381um[15u"] 3-1734101-6		200
0.8-1.6 [.031-.063]	2.54 [.100]	102.03 [4.017]	112.95 [4.447]	110.31 [4.343]	105.87 [4.168]	80	160	81	⚠	⚠	GOLD FLASH 0.381um[15u"] 5-1734101-4		160
2.36 [.093]	3.30 [.130]	76.63 [3.017]	87.55 [3.447]	84.91 [3.343]	80.47 [3.168]	60	120	61	⚠	⚠	GOLD FLASH 0.381um[15u"] 5-1734101-3		120
0.8-1.6 [.031-.063]	2.54 [.100]	76.63 [3.017]	87.55 [3.447]	84.91 [3.343]	80.47 [3.168]	60	120	61	⚠	⚠	GOLD FLASH 0.381um[15u"] 3-1734101-3		120
2.36 [.093]	3.30 [.130]	63.93 [2.517]	74.85 [2.947]	72.21 [2.843]	67.77 [2.668]	50	100	51	⚠	⚠	GOLD FLASH 0.381um[15u"] 5-1734101-1		100
0.8-1.6 [.031-.063]	2.54 [.100]	63.93 [2.517]	74.85 [2.947]	72.21 [2.843]	67.77 [2.668]	50	100	51	⚠	⚠	GOLD FLASH 0.381um[15u"] 3-1734101-1		100
0.8-1.6 [.031-.063]	2.54 [.100]	51.23 [2.017]	62.15 [2.447]	59.51 [2.343]	55.07 [2.168]	40	80	41	⚠	⚠	GOLD FLASH 0.381um[15u"] 5-1734101-1		80
2.36 [.093]	3.30 [.130]	51.23 [2.017]	62.15 [2.447]	59.51 [2.343]	55.07 [2.168]	40	80	41	⚠	⚠	GOLD FLASH 0.381um[15u"] 5-1734101-8		80
0.8-1.6 [.031-.063]	2.54 [.100]	51.23 [2.017]	62.15 [2.447]	59.51 [2.343]	55.07 [2.168]	40	80	41	⚠	⚠	GOLD FLASH 0.381um[15u"] 3-1734101-8		80
0.8-1.6 [.031-.063]	2.54 [.100]	51.23 [2.017]	62.15 [2.447]	59.51 [2.343]	55.07 [2.168]	40	80	41	⚠	⚠	GOLD FLASH 0.381um[15u"] 4-1734101-9		80
0.8-1.6 [.031-.063]	2.54 [.100]	51.23 [2.017]	62.15 [2.447]	59.51 [2.343]	55.07 [2.168]	40	80	41	⚠	⚠	GOLD FLASH 0.381um[15u"] 6-1734101-9		80
0.8-1.6 [.031-.063]	2.54 [.100]	51.23 [2.017]	62.15 [2.447]	59.51 [2.343]	55.07 [2.168]	40	80	41	⚠	⚠	GOLD FLASH 0.381um[15u"] 1734101-9		80
0.8-1.6 [.031-.063]	2.54 [.100]	43.61 [1.717]	54.53 [2.147]	51.89 [2.043]	47.45 [1.868]	34	68	35	⚠	⚠	GOLD FLASH 0.381um[15u"] 7-1734101-7		68
0.8-1.6 [.031-.063]	2.54 [.100]	38.53 [1.517]	49.45 [1.947]	46.81 [1.843]	42.37 [1.668]	30	60	31	⚠	⚠	GOLD FLASH 0.381um[15u"] 4-1734101-7		60
2.36 [.093]	3.30 [.130]	32.18 [1.267]	43.10 [1.697]	40.46 [1.593]	36.02 [1.418]	25	50	26	⚠	⚠	GOLD FLASH 0.381um[15u"] 4-1734101-6		60
0.8-1.6 [.031-.063]	2.54 [.100]	32.18 [1.267]	43.10 [1.697]	40.46 [1.593]	36.02 [1.418]	25	50	26	⚠	⚠	GOLD FLASH 0.381um[15u"] 6-1734101-6		60
0.8-1.6 [.031-.063]	2.54 [.100]	32.18 [1.267]	43.10 [1.697]	40.46 [1.593]	36.02 [1.418]	25	50	26	⚠	⚠	GOLD FLASH 0.381um[15u"] 1734101-6		60
0.8-1.6 [.031-.063]	2.54 [.100]	32.18 [1.267]	43.10 [1.697]	40.46 [1.593]	36.02 [1.418]	25	50	26	⚠	⚠	GOLD FLASH 0.381um[15u"] 2-1734101-7		50
0.8-1.6 [.031-.063]	2.54 [.100]	32.18 [1.267]	43.10 [1.697]	40.46 [1.593]	36.02 [1.418]	25	50	26	⚠	⚠	GOLD FLASH 0.381um[15u"] 4-1734101-5		50
0.8-1.6 [.031-.063]	2.54 [.100]	25.83 [1.017]	36.75 [1.447]	34.11 [1.343]	29.67 [1.168]	20	40	21	⚠	⚠	GOLD FLASH 0.381um[15u"] 6-1734101-5		40
0.8-1.6 [.031-.063]	2.54 [.100]	25.83 [1.017]	36.75 [1.447]	34.11 [1.343]	29.67 [1.168]	20	40	21	⚠	⚠	GOLD FLASH 0.381um[15u"] 1734101-5		40
0.8-1.6 [.031-.063]	2.54 [.100]	-	30.40 [1.197]	27.96 [1.101]	23.32 [.918]	15	30	16	⚠	⚠	GOLD FLASH 0.381um[15u"] 4-1734101-4		40
0.8-1.6 [.031-.063]	2.54 [.100]	-	30.40 [1.197]	27.96 [1.101]	23.32 [.918]	15	30	16	⚠	⚠	GOLD FLASH 0.381um[15u"] 6-1734101-4		30
0.8-1.6 [.031-.063]	2.54 [.100]	-	30.40 [1.197]	27.96 [1.101]	23.32 [.918]	15	30	16	⚠	⚠	GOLD FLASH 0.381um[15u"] 1734101-4		30

THIS DRAWING IS A CONTROLLED DOCUMENT.

DIMENSIONS: MM

TOLERANCES UNLESS OTHERWISE SPECIFIED:

0 PLC	± -
1 PLC	± -
2 PLC	± - ⚠
3 PLC	± -
4 PLC	± -
ANGLES	± -

MATERIAL: SEE NOTE

FINISH: SEE NOTE

DWN: F. YANG 31MAR2009

CHK: S. CHIEN 31MAR2009

APVD: W. KODAMA 31MAR2009

PRODUCT SPEC: 108-57876

QUALIFICATION TEST REPORT: -

WEIGHT: -

CUSTOMER DRAWING

TE Connectivity

RECEPTACLE ASSEMBLY, VERTICAL, BOARD-TO-BOARD, CHAMP.050, SERIES I,

SIZE: A3

CAGE CODE: 00779

DRAWING NO: C=1734101

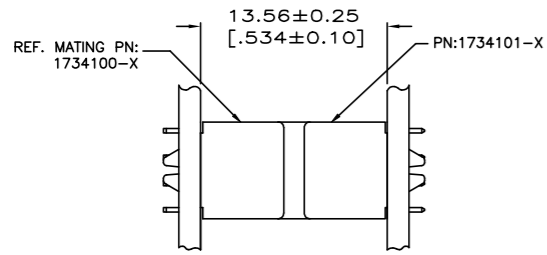
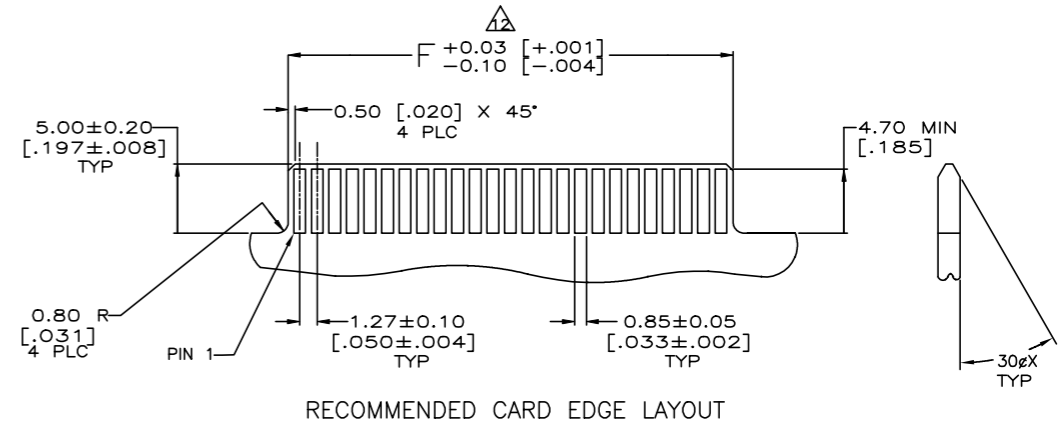
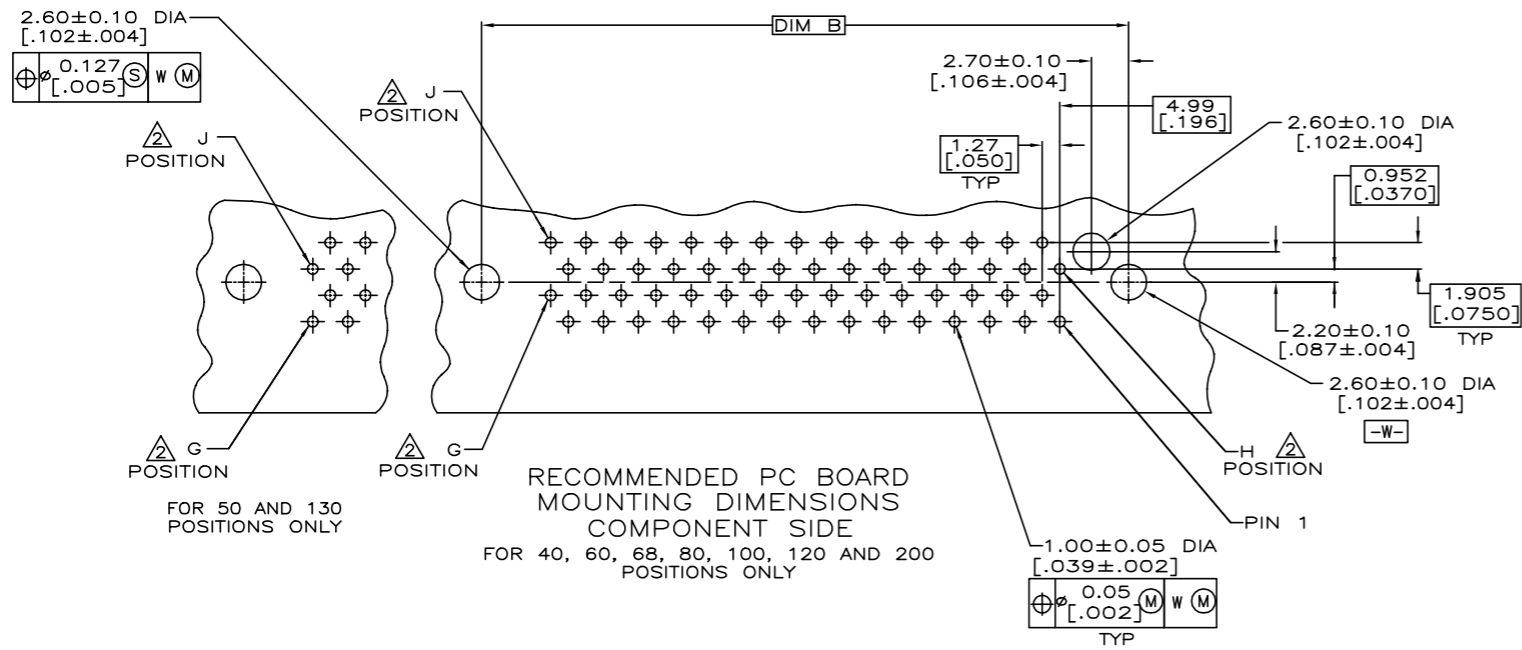
RESTRICTED TO: -

SCALE: -

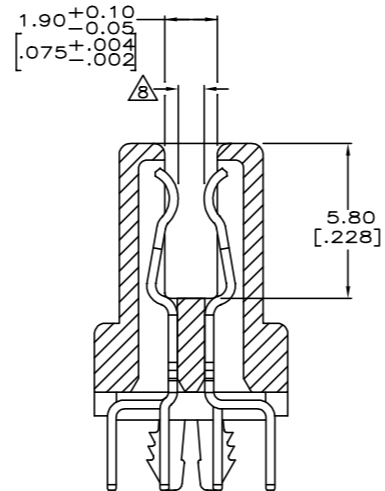
SHEET: 1 OF 4

REV: E4

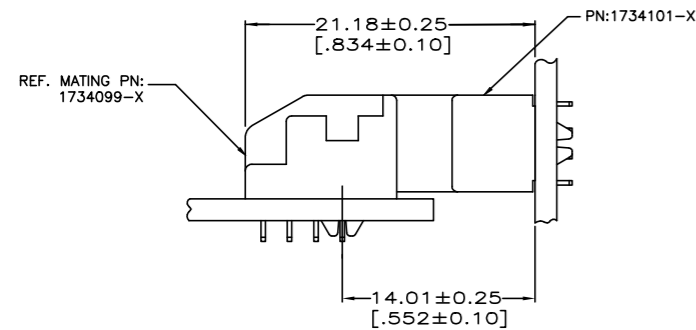
LOC DW	DIST /	REVISIONS			
P	LTR	DESCRIPTION	DATE	DWN	APVD
		SEE SHEET 1.			



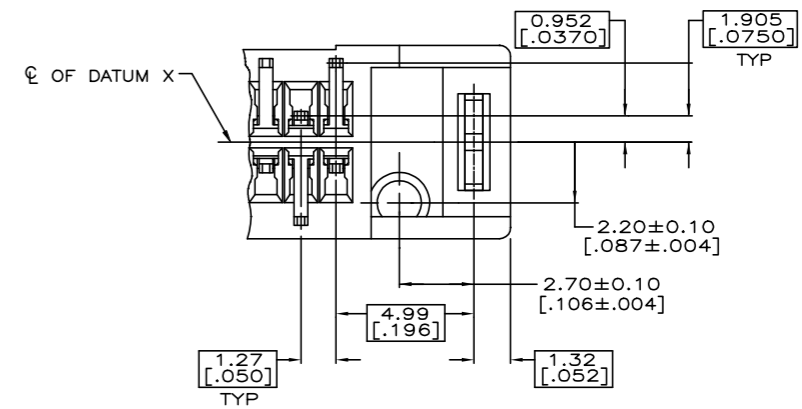
VERTICAL RECEPTACLE ASSEMBLY MATED TO VERTICAL PLUG ASSEMBLY



SECTION E-E SCALE 8:1



VERTICAL RECEPTACLE ASSEMBLY MATED TO VERTICAL PLUG ASSEMBLY

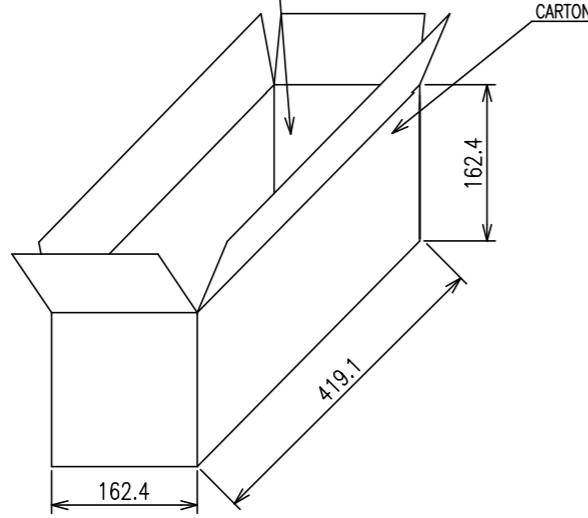
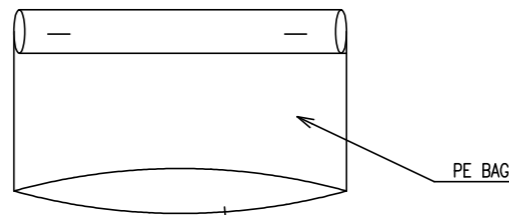
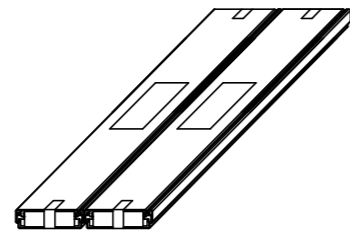
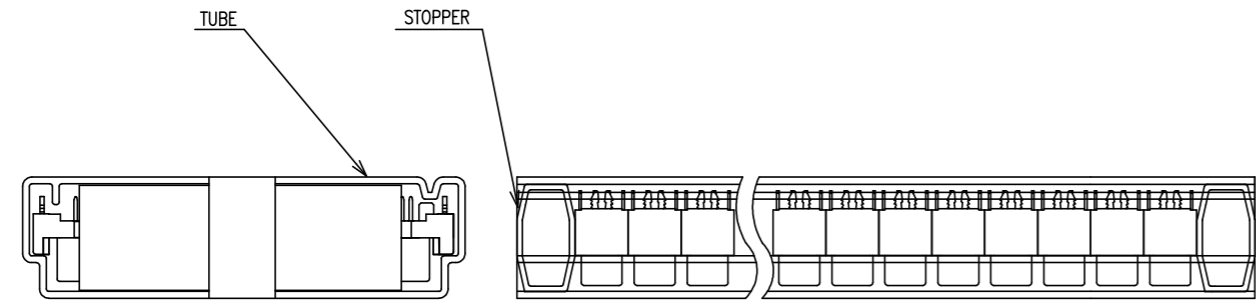


DETAIL D SCALE 8:1

THIS DRAWING IS A CONTROLLED DOCUMENT.		DWN		
		CHK		
DIMENSIONS: MM		APVD	NAME	
		PRODUCT SPEC	RECEPTACLE ASSEMBLY, VERTICAL, BOARD-TO-BOARD, CHAMP.050, SERIES I,	
TOLERANCES UNLESS OTHERWISE SPECIFIED:		QUALIFICATION TEST REPORT	SIZE	CAGE CODE
0 PLC ± -			A3	00779
1 PLC ± -			DRAWING NO	C=1734101
2 PLC ± -			RESTRICTED TO	
3 PLC ± -				
4 PLC ± -				
ANGLES ± -		WEIGHT		
MATERIAL	FINISH	CUSTOMER DRAWING	SCALE	SHEET 2 OF 4
				REV E4

THIS DRAWING IS UNPUBLISHED. RELEASED FOR PUBLICATION AUG ,2006.
 © COPYRIGHT BY TYCO ELECTRONICS CORPORATION. ALL RIGHTS RESERVED.

LOC	DIST	REVISIONS				
P	LTR	DESCRIPTION	DATE	DWN	APVD	
		SEE SHEET 1.				

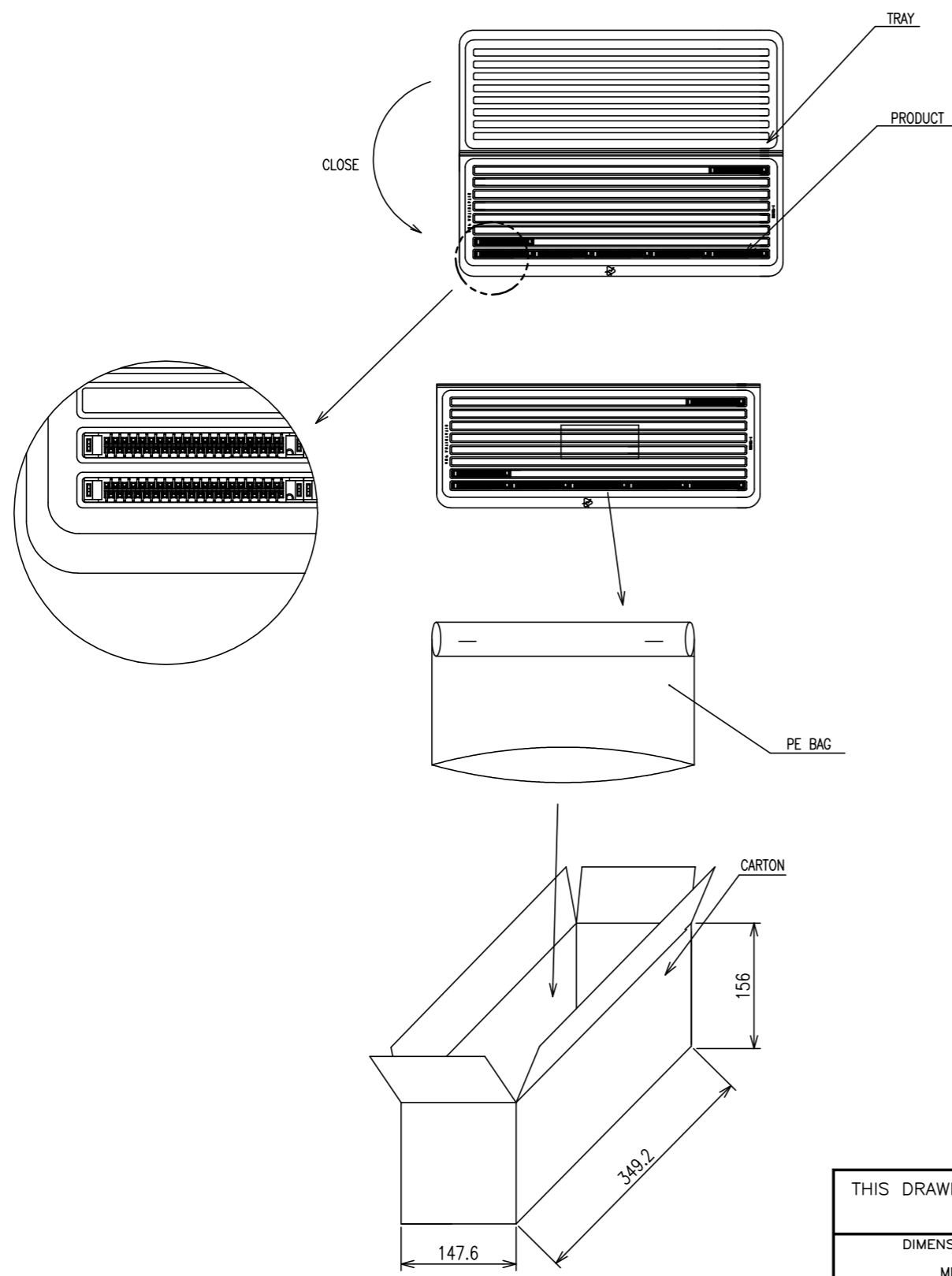


STATUS	G.W./CARTON (KG)	N.W./CARTON (KG)	PCS/TUBE	TUBES/CARTON	QUANTITY/CARTON (PCS)	PART NUMBER	POS.
OBSOLETE	4.21	2.89	54	8	432	5-1734101-3	120
						3-1734101-3	
						1-1734101-3	
						5-1734101-2	
						3-1734101-2	
OBSOLETE	6.84	4.92	54	16	864	1-1734101-1	100
						3-1734101-1	
						1-1734101-1	
						5-1734101-0	
						3-1734101-0	
OBSOLETE	5.61	4.06	54	16	864	1-1734101-0	80
						5-1734101-8	
						3-1734101-8	
						1-1734101-8	
						4-1734101-8	
OBSOLETE	5.05	3.63	54	16	864	6-1734101-8	68
						6-1734101-8	
						1734101-8	
						4-1734101-7	
						6-1734101-7	
OBSOLETE	4.65	3.23	54	16	864	1734101-7	60
						7-1734101-7	
						4-1734101-6	
						6-1734101-6	
						1734101-6	
OBSOLETE	5.32	4.02	54	24	1296	2-1734101-7	50
						5-1734101-7	
						3-1734101-7	
						1-1734101-7	
						4-1734101-5	
OBSOLETE	4.42	3.37	54	24	1296	6-1734101-5	40
						6-1734101-5	
						1734101-5	
						4-1734101-4	
						6-1734101-4	
OBSOLETE	6.25	5.36	54	32	1728	1734101-4	30
						4-1734101-3	
						6-1734101-3	
						1734101-3	

THIS DRAWING IS A CONTROLLED DOCUMENT.		DWN	TE Connectivity			
DIMENSIONS: MM		CHK				
TOLERANCES UNLESS OTHERWISE SPECIFIED:		APVD	NAME			
0 PLC ± -		PRODUCT SPEC	RECEPTACLE ASSEMBLY, VERTICAL, BOARD-TO-BOARD, CHAMP.050, SERIES I,			
1 PLC ± -		QUALIFICATION TEST REPORT				
2 PLC ± -		WEIGHT	SIZE	CAGE CODE	DRAWING NO	RESTRICTED TO
3 PLC ± -		CUSTOMER DRAWING	A3	00779	C=1734101	
4 PLC ± -			SCALE	SHEET	REV	
ANGLES ± -				3 of 4		
MATERIAL						
FINISH						

THIS DRAWING IS UNPUBLISHED. RELEASED FOR PUBLICATION AUG ,2006.
 © COPYRIGHT BY TYCO ELECTRONICS CORPORATION. ALL RIGHTS RESERVED.

LOC	DIST	REVISIONS				
P	LTR	DESCRIPTION	DATE	DWN	APVD	
		SEE SHEET 1.				



OBSOLETE	2.69	1.71	16	10	160	5-1734101-6	200
						3-1734101-6	
						1-1734101-6	
						5-1734101-5	
						3-1734101-5	
OBSOLETE	2.37	1.39	16	10	160	5-1734101-4	160
						3-1734101-4	
						1-1734101-4	
OBSOLETE	2.48	1.50	32	10	320	4-1734101-9	80
						6-1734101-9	
						1734101-9	
	G.W./CARTON (KG)	N.W./CARTON (KG)	PCS/TRAY	TRAYS/CARTON	QUANTITY/CARTON (PCS)	PART NUMBER	POS.

THIS DRAWING IS A CONTROLLED DOCUMENT.		DWN									
DIMENSIONS: MM		CHK									
TOLERANCES UNLESS OTHERWISE SPECIFIED: 0 PLC ± - 1 PLC ± - 2 PLC ± - 3 PLC ± - 4 PLC ± - ANGLES ± -		APVD		NAME							
MATERIAL		PRODUCT SPEC		RECEPTACLE ASSEMBLY, VERTICAL, BOARD-TO-BOARD, CHAMP.050, SERIES I,							
FINISH		QUALIFICATION TEST REPORT		SIZE		CAGE CODE		DRAWING NO		RESTRICTED TO	
		WEIGHT		A3		00779		C=1734101			
CUSTOMER DRAWING				SCALE		SHEET		4 OF 4		REV	