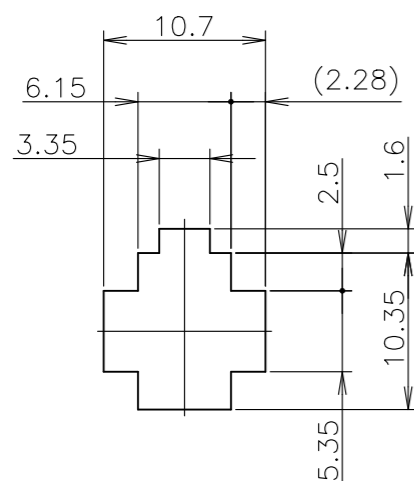
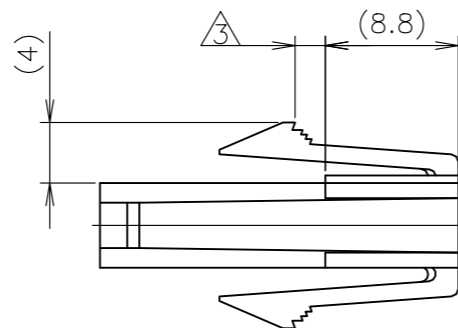
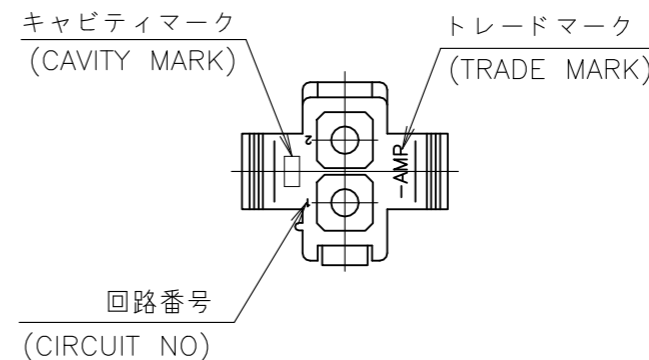
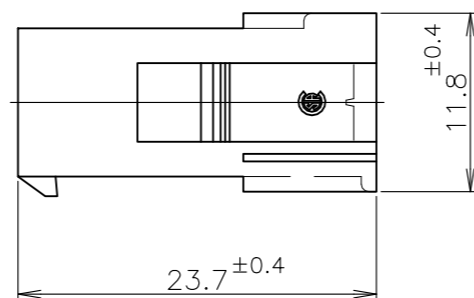
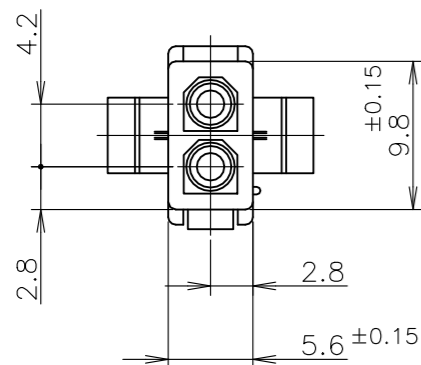


THIS DRAWING IS UNPUBLISHED. RELEASED FOR PUBLICATION JUN, 1998.

© COPYRIGHT 1998 By Tyco Electronics Japan G.K. ALL RIGHTS RESERVED.

REVISIONS

P	LTR	DESCRIPTION	DATE	DWN	APVD
E		REVISED PER ECR-23-177478	08AUG2023	SM	JP



寸法公差は ±0.20 (TOLERANCE: ±0.20)

パネル取付穴 (RECOMMENDED PANEL OPENING DIRECTION)

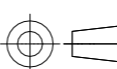
- 1 使用端子型番は 170359, 170360, 170361, 170362
- 2 嵌合相手ハウジング型番は 172165
- ③ 適用パネル厚 0.8~2.0mm
- 4 取付穴打抜方向とハウジングの挿入方向は同じとする。
- ⑤ OBSOLETE PARTS: OBSOLETE CIS STREAMLINING PER D.RENAUD/D.SINISI

- 1 APPLICABLE CONT P/N: 170359, 170360, 170361, 170362
- 2 MATING HSG P/N: 172165
- ③ APPLICABLE PANEL THICKNESS: 0.8~2.0mm
- 4 HOUSING INSERTION INTO THE PANEL CUT-OUT MUST BE DONE IT THE SAME DIRECTION WITH PUNCH KNOCKING.
- ⑤ OBSOLETE PARTS: OBSOLETE CIS STREAMLINING PER D.RENAUD/D.SINISI

黒 (BLACK)	1-172157-9
青 (BLUE)	1-172157-6
緑 (GREEN)	1-172157-5
赤 (RED)	1-172157-2
自然色 (NATURAL)	172157-1
色 (COLOR)	型番 (P/N)

⑤ OBSOLETE

INSTRUCTION SHEET 取扱説明書 IS-105J	WIRE RANGE 挿入電線断面積 mm ²	INSULATION DIA 被覆外径 mm ϕ
DWN N.YAMASAKI 08JUN1998	 TE Connectivity	
CHK M.SHINDO 15JUN1998		
APVD M.SHINDO 15JUN1998	NAME 名称 2 POS MINI UNIVERSAL MATE-N-LOCK CONN.	
PRODUCT SPEC 製品規格 108-5138	CAP HOUSING UL94V-0	
APPLICATION SPEC 取付適用規格	2極ミニユニバーサルメイテロック キャップハウジング UL94V-0	
WEIGHT	SIZE A3	CAGE CODE 00779
	DRAWING NO 番号 C-172157	RESTRICTED TO
CUSTOMER DRAWING		SCALE 尺度 2:1
		SHEET 1 OF 1
		REV E

THIS DRAWING IS A CONTROLLED DOCUMENT.	
DIMENSIONS: 単位: 耗 mm	TOLERANCES UNLESS OTHERWISE SPECIFIED: 一般公差
	0-PLC ±
	1-PLC ± ±0.3
	2-PLC ±
	3-PLC ±
	4-PLC ±
ANGLES ±	FINISH 仕上
MATERIAL 材料 PA66/6 UL94-0	