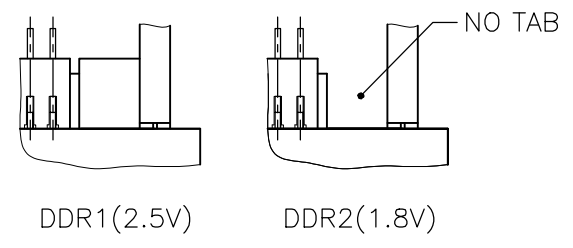
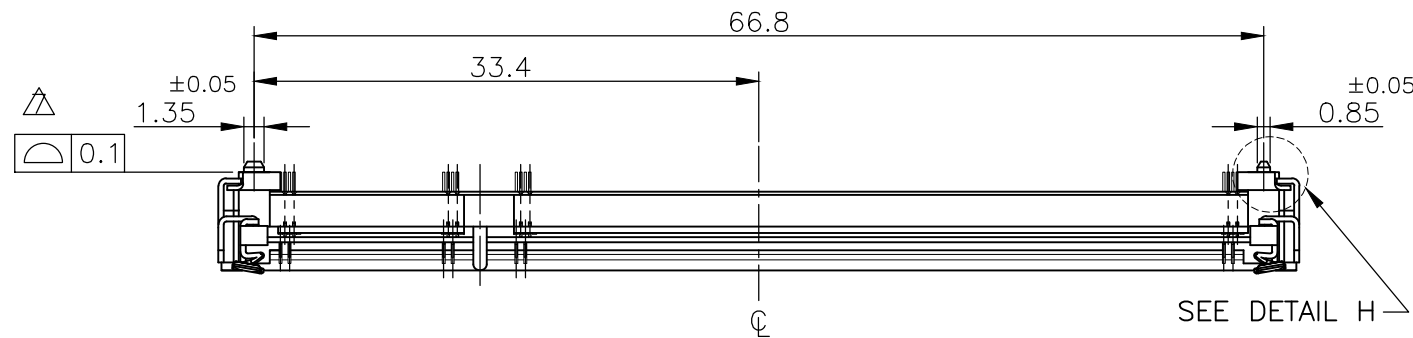
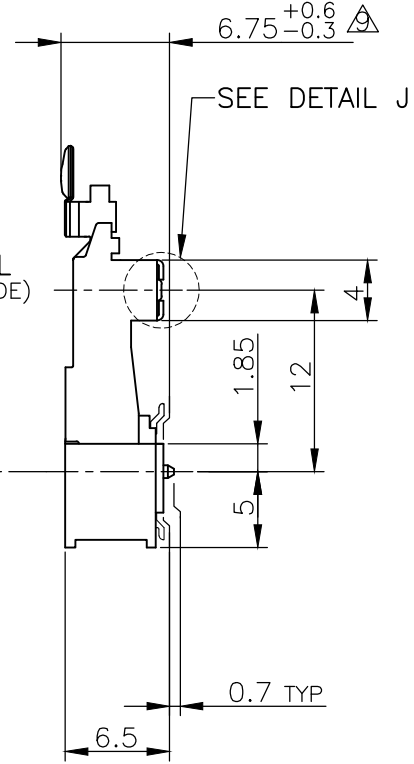
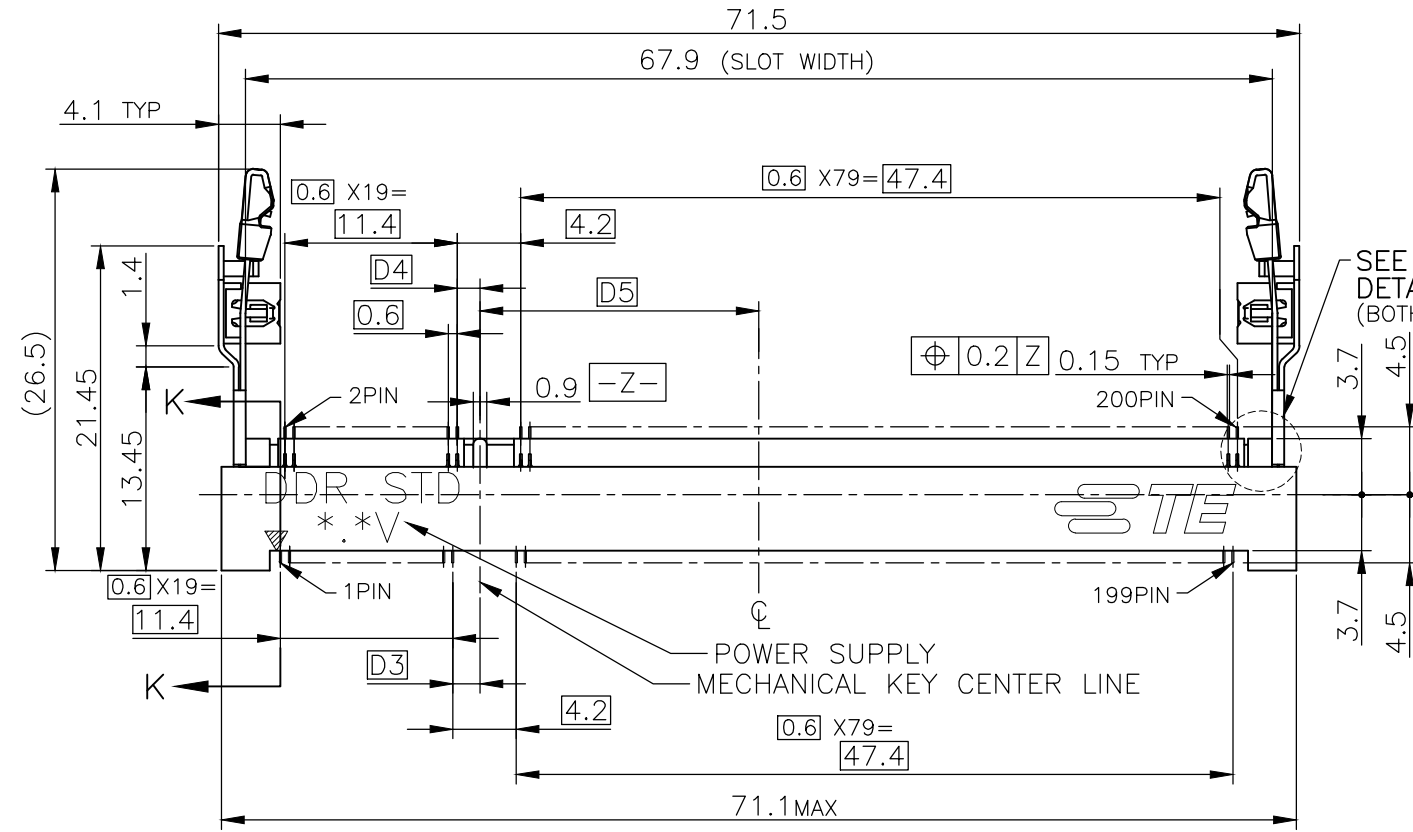
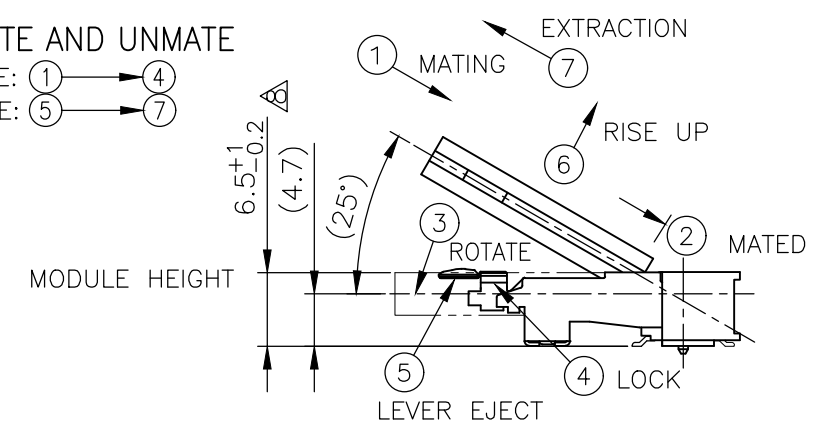
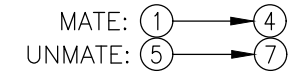


P	LTR	DESCRIPTION	DATE	DWN	APVD
E		ECR-20-007088	19MAY20	D.Z	S.L



DETAIL L (SCALE 5:1)

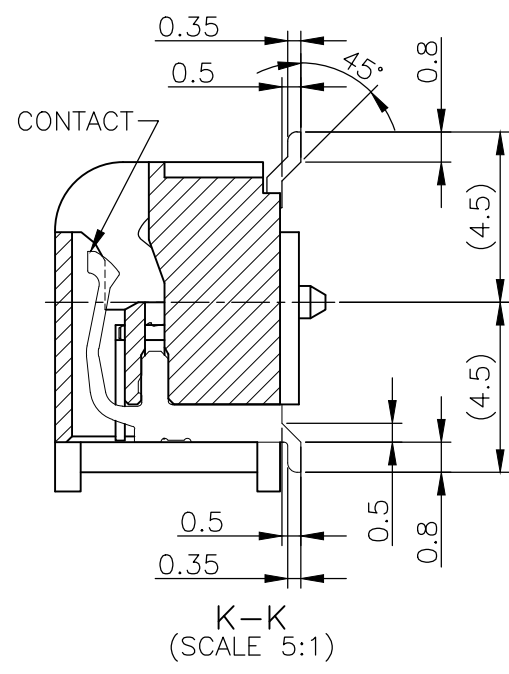
HOW TO MATE AND UNMATE



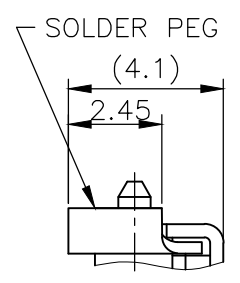
SEE DETAIL J

(APPLIED TO SHEET 1-2)

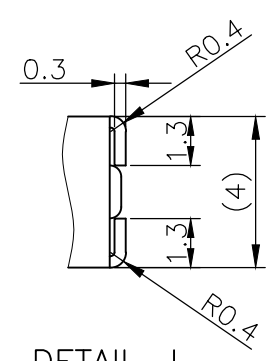
- MATERIAL ; HOUSING: HIGH TEMPERATURE THERMO PLASTIC UL94V-0
CONTACT: COPPER ARROY
LOCK LEVER: STAINLESS STEEL
SOLDER PEG: COPPER ARROY
 - FINISH ; CONTACT AREA: GOLD FLASH ON 0.0013MIN ALL OVER NICKEL.
SOLDERING AREA: GOLD FLASH PLT.
SOLDER PEG: TIN PLATING.
- △ MECHANICAL KEY POSITION OF CONNECTOR SEE TABLE.
 ▲ TOLERANCES NON-CUMULATIVE.
 △ NOT TO SCALE.
 △ [Dotted Box] INSIDE MUST BE RESIST COAT EXCEPT SOLDER PATTERN.
 △ COPLANARITY : 0.1 MAX.
 △ THE FLOATING VALUE BY SOLDERING IS NOT INCLUDED.
 △ NOT MATING CONDITION.
 10 IF THE MODULE DOESN'T INSERT AND LOCK IN THE LATCH SMOOTHLY, OPEN WIDE BOTH LATCHES BY MANUAL. AND THE MODULE MUST BE INSERTED AND LOCKED IN THE LATCH.



K-K (SCALE 5:1)



DETAIL H (SCALE 5:1)



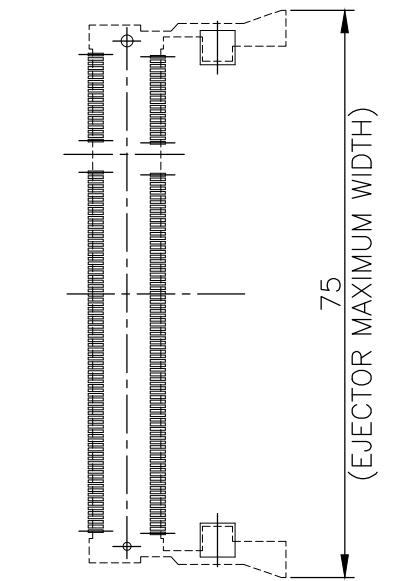
DETAIL J (SCALE 5:1)

GENERAL TOLERANCE
 10 ≥ : ±0.2
 30 ≥ > 10: ±0.25
 100 ≥ > 30: ±0.3
 ANGLES: ±3°

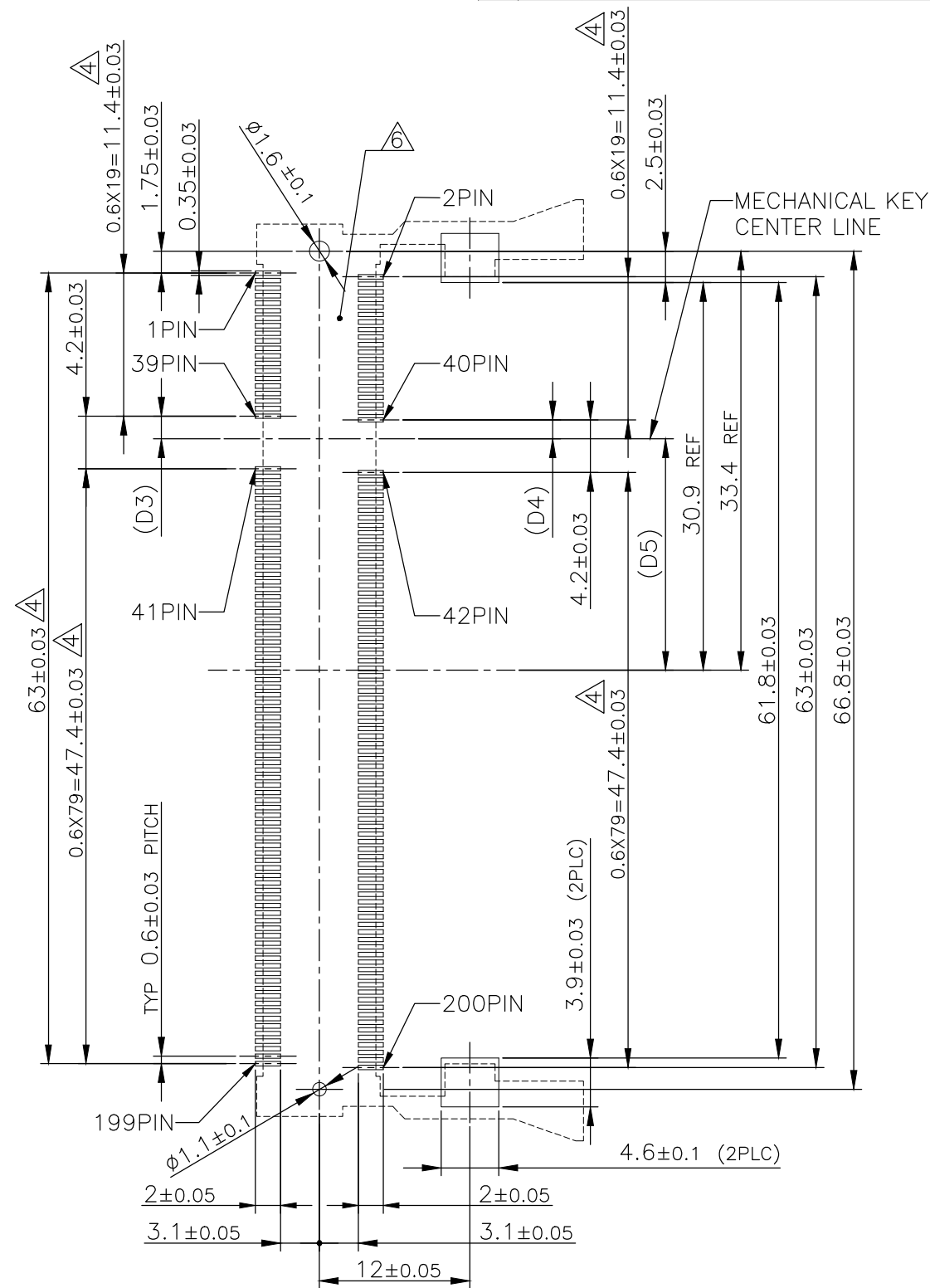
AVAILABLE	— # —	1.8V (DDR2)	17.55	2.4	2.7	200	1717468-4
AVAILABLE	— # —	2.5V (DDR1)	18.45	1.5	1.8	200	1717468-3
TOOLING STATUS	REMARKE	POWE SUPPLY (TYPE)	D5	D4	D3	POS	PART NO.
THIS DRAWING IS A CONTROLLED DOCUMENT.		DWN	T.FUMIKURA 22AUG03				
		CHK	T.KUSUHARA 22AUG03				
		APVD	H.MURAMATSU 22AUG03				
DIMENSIONS: MM		PRODUCT SPEC		NAME			
TOLERANCES UNLESS OTHERWISE SPECIFIED:		108-5701		DDR1 & DDR2 SODIMM SOCKET			
0 PLC ±		APPLICATION SPEC		0.6mm PITCH 200POS			
1 PLC ±		WEIGHT		6.5 HEIGHT STANDARD TYPE			
2 PLC ±		5.2g		SIZE		RESTRICTED TO	
3 PLC ±		CUSTOMER DRAWING		A3 00779		C-1717468	
4 PLC ±		SCALE		DRAWING NO		REV	
ANGLES ±		2:1		CAGE CODE		1 OF 4	
FINISH ±		SHEET		REV		E	

P	LTR	DESCRIPTION	DATE	DWN	APVD
-	-	SEE SHEET 1	-	-	-

REFERENCE P.C.BOARD PATTERN LAYOUT (CONNECTOR MOUNTING SIDE)



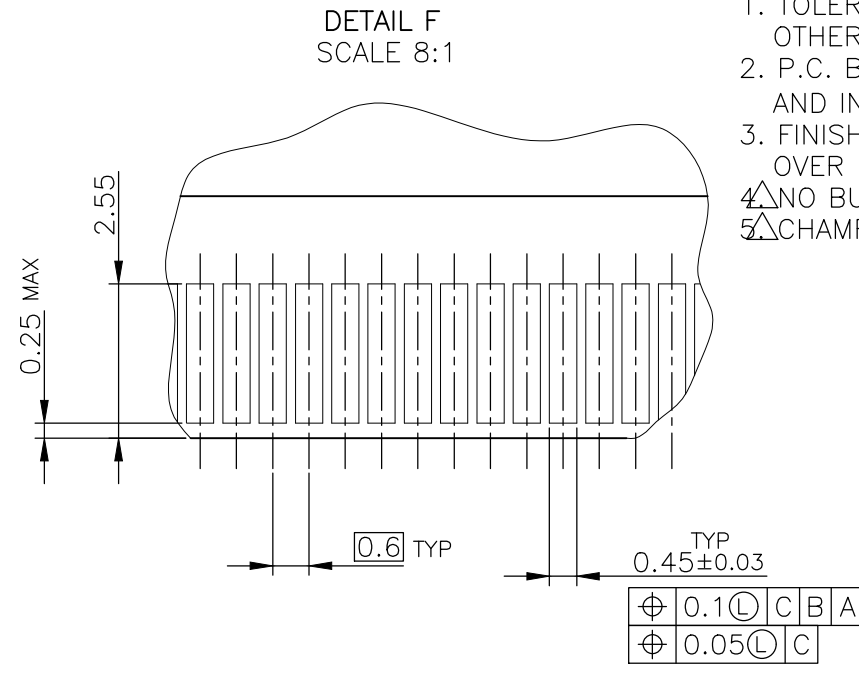
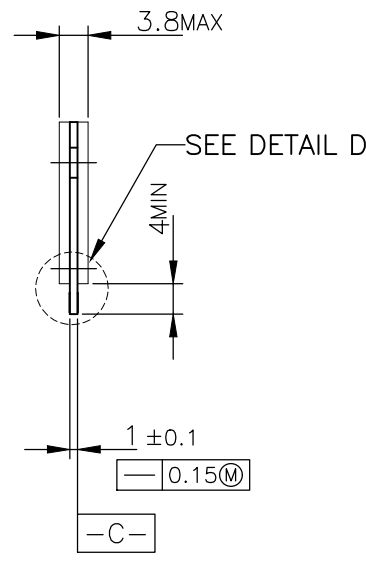
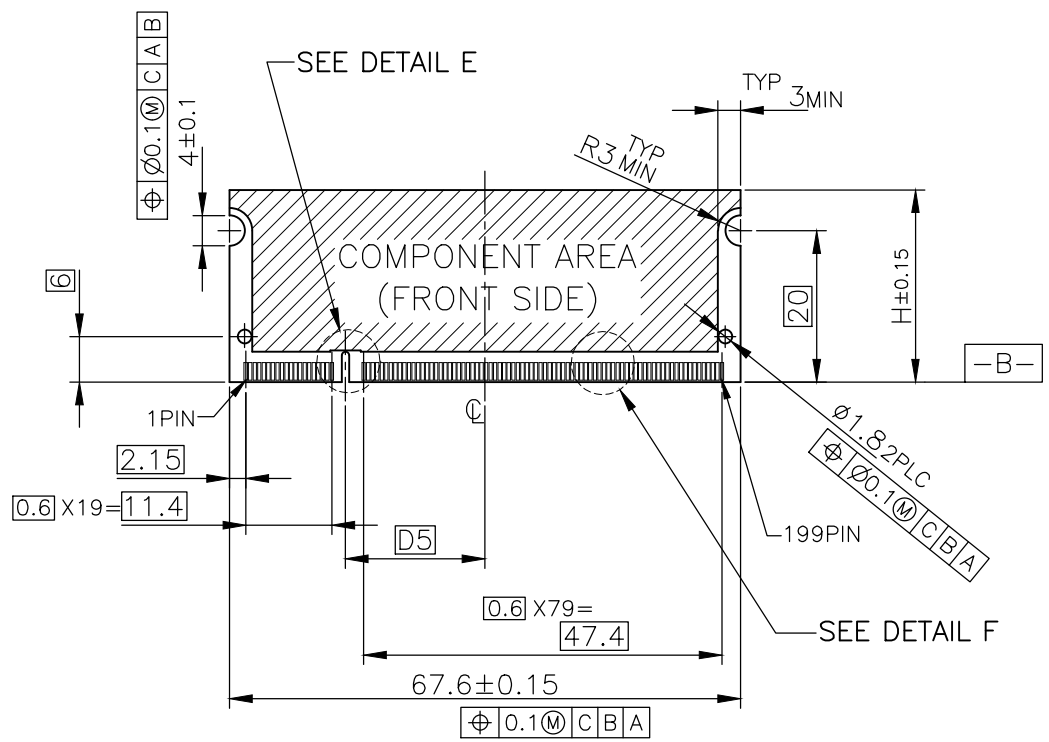
REAL SIZE (SCALE 1:1)



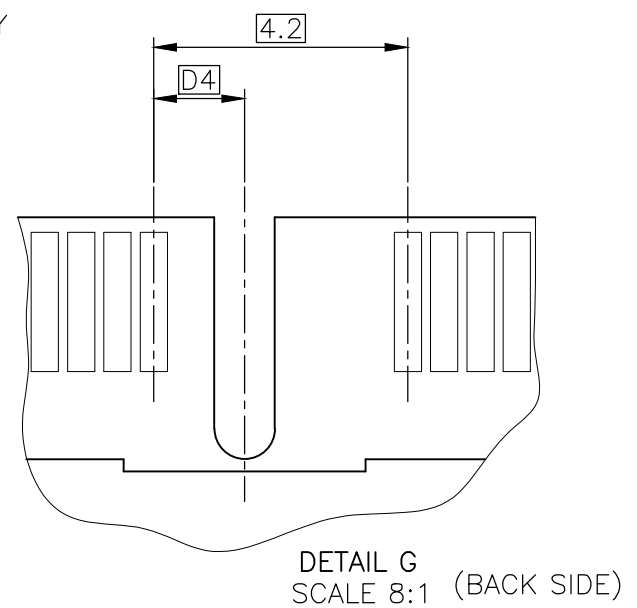
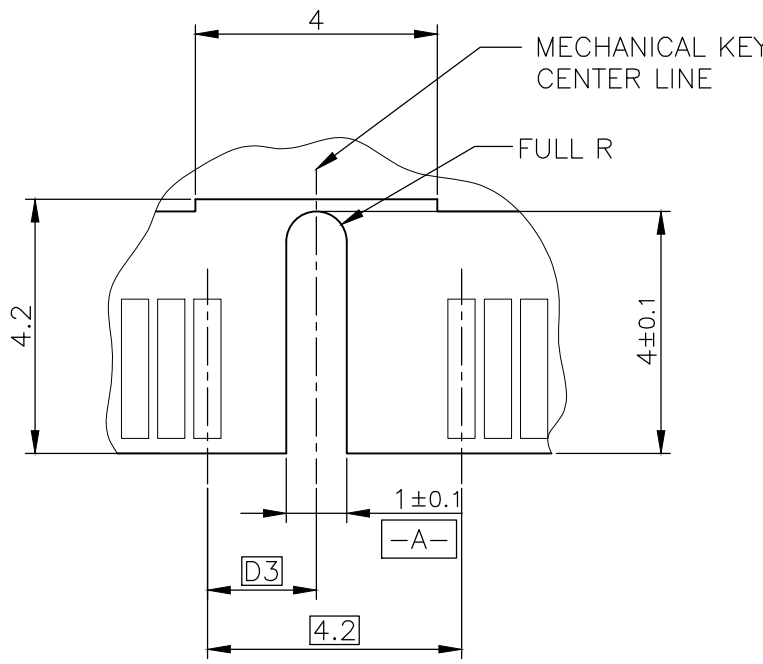
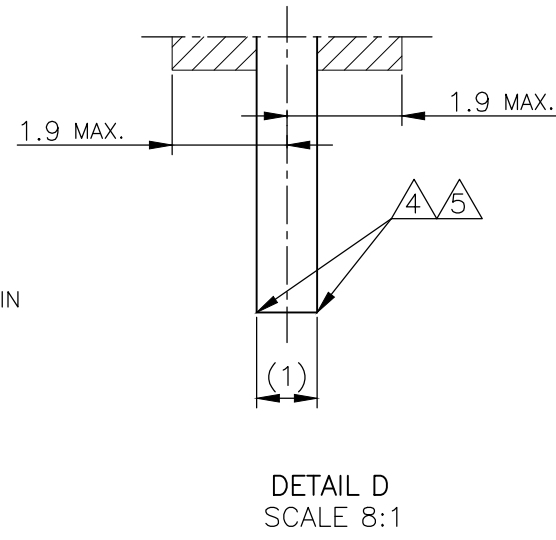
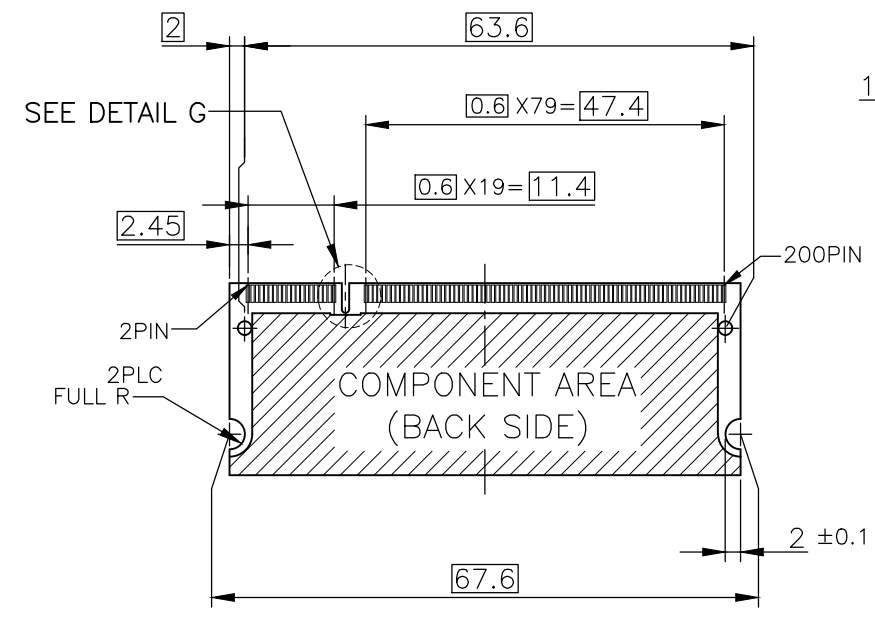
1.8V	17.55	2.4	2.7
2.5V	18.45	1.5	1.8
POWER SUPPLY	D5	D4	D3

THIS DRAWING IS A CONTROLLED DOCUMENT.		DWN	STE TE Connectivity Ltd.	
DIMENSIONS: MM		CHK		
TOLERANCES UNLESS OTHERWISE SPECIFIED:		APVD	NAME	
0 PLC ±		PRODUCT SPEC	DDR1 & DDR2 SODIMM SOCKET	
1 PLC ±		APPLICATION SPEC	0.6mm PITCH 200POS	
2 PLC ±		WEIGHT	6.5 HEIGHT STANDARD TYPE	
3 PLC ±		CUSTOMER DRAWING	SIZE	CAGE CODE
4 PLC ±			A3	00779
ANGLES ±		DRAWING NO	RESTRICTED TO	
FINISH		G-1717468		
		SCALE	SHEET	REV
		2:1	2 OF 4	E

P	LTR	DESCRIPTION	DATE	DWN	APVD
-	-	SEE SHEET 1	-	-	-



- (APPLIED TO SHEET 3)
1. TOLERANCES ON ALL DIMENSIONS ± 0.15 UNLESS OTHERWISE SPECIFIED.
 2. P.C. BOARD THICKNESS APPLIES ACROSS TABS AND INCLUDES PLATING AND/OR METALIZATION.
 3. FINISH OF PAD : GOLD PLATING 0.00076 MIN. OVER Ni PLATING 0.002MIN.
 4. NO BURR
 5. CHAMFER 0.25 MAX x 45° IF EXIST.



推奨基板仕様
RECOMMENDED MATING P.C.B CONFIGURATION

THIS DRAWING IS A CONTROLLED DOCUMENT.

DIMENSIONS:	TOLERANCES UNLESS OTHERWISE SPECIFIED:
MM	
0 PLC	±
1 PLC	±
2 PLC	±
3 PLC	±
4 PLC	±
ANGLES	±
MATERIAL	FINISH

DWN
CHK
APVD
PRODUCT SPEC
APPLICATION SPEC
WEIGHT
CUSTOMER DRAWING

31.75	1.8V	17.55	2.4	2.7
25.4	2.5V	18.45	1.5	1.8
H	POWER SUPPLY	D5	D4	D3

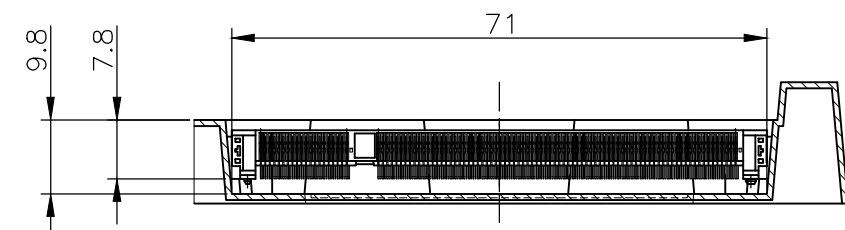
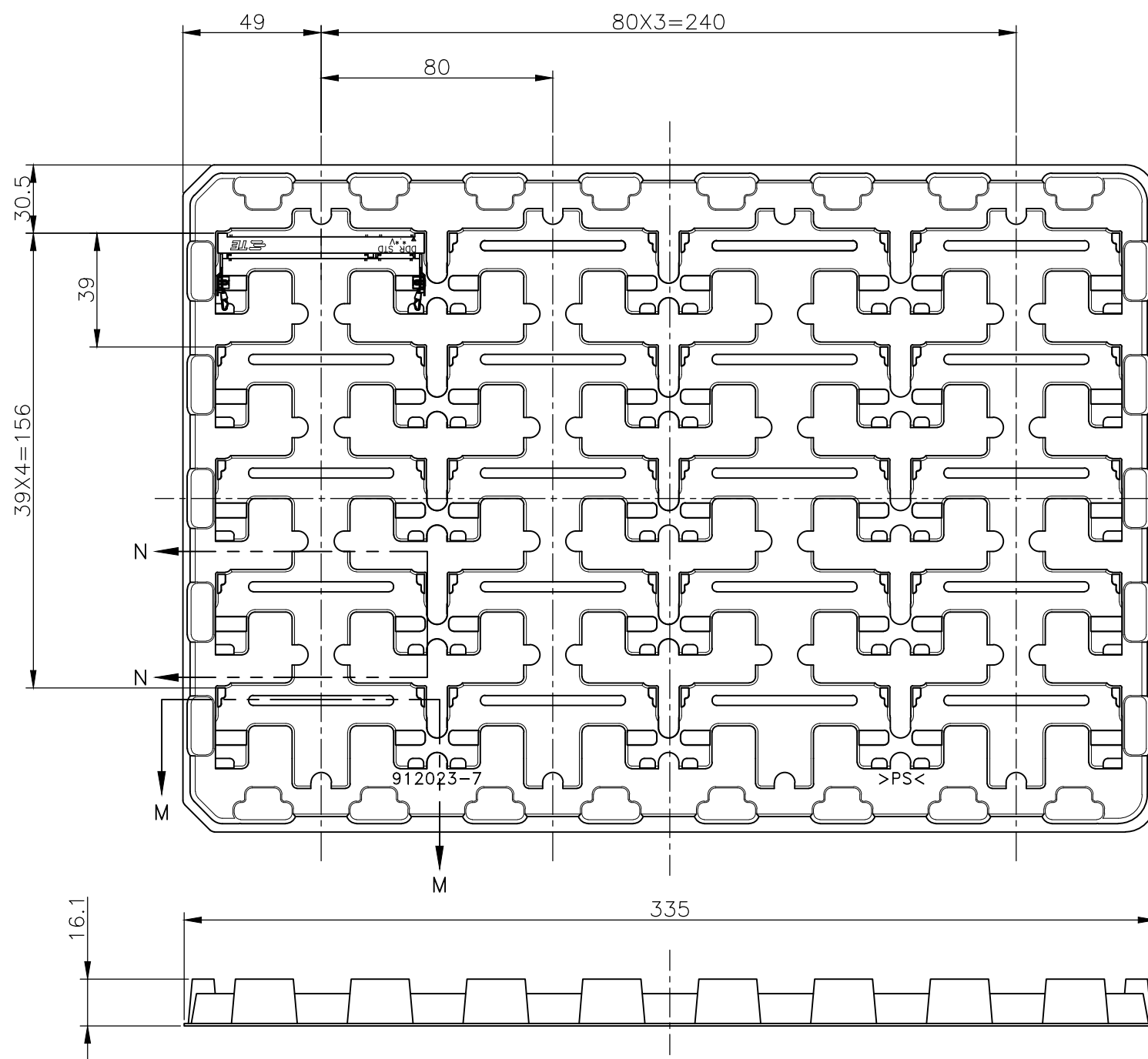
STE TE Connectivity Ltd.

NAME: DDR1 & DDR2 SODIMM SOCKET
0.6mm PITCH 200POS
6.5 HEIGHT STANDARD TYPE

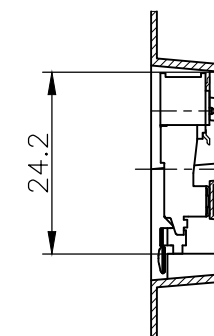
SIZE	CAGE CODE	DRAWING NO	RESTRICTED TO
A3	00779	C-1717468	

SCALE: 2:1 SHEET: 3 OF 4 REV: E

P	LTR	DESCRIPTION	DATE	DWN	APVD
-	-	SEE SHEET 1	-	-	-



M-M
SCALE 1:1
(180DEG. ROTATE)



N-N
SCALE 1:1

1. THE DIRECTION OF EACH CONNECTOR ON A TRAY IS REFERRED TO THIS DRAWING.
2. GENERAL TOLERANCE: ± 0.5

20EA/TRAY	1717468-4
20EA/TRAY	1717468-3
QTY	P/N

THIS DRAWING IS A CONTROLLED DOCUMENT.		DWN	TE Connectivity Ltd.		
DIMENSIONS: MM		CHK			
		APVD			
TOLERANCES UNLESS OTHERWISE SPECIFIED: 0 PLC \pm 1 PLC \pm 2 PLC \pm 3 PLC \pm 4 PLC \pm ANGLES \pm FINISH		PRODUCT SPEC			
MATERIAL		APVD	NAME		
		PRODUCT SPEC	DDR1 & DDR2 SODIMM SOCKET		
		APPLICATION SPEC	0.6mm PITCH 200POS		
		WEIGHT	6.5 HEIGHT STANDARD TYPE		
		CUSTOMER DRAWING	SIZE	CAGE CODE	DRAWING NO
			A3	00779	C-1717468
			SCALE	SHEET	REV
			1:2	4 OF 4	E