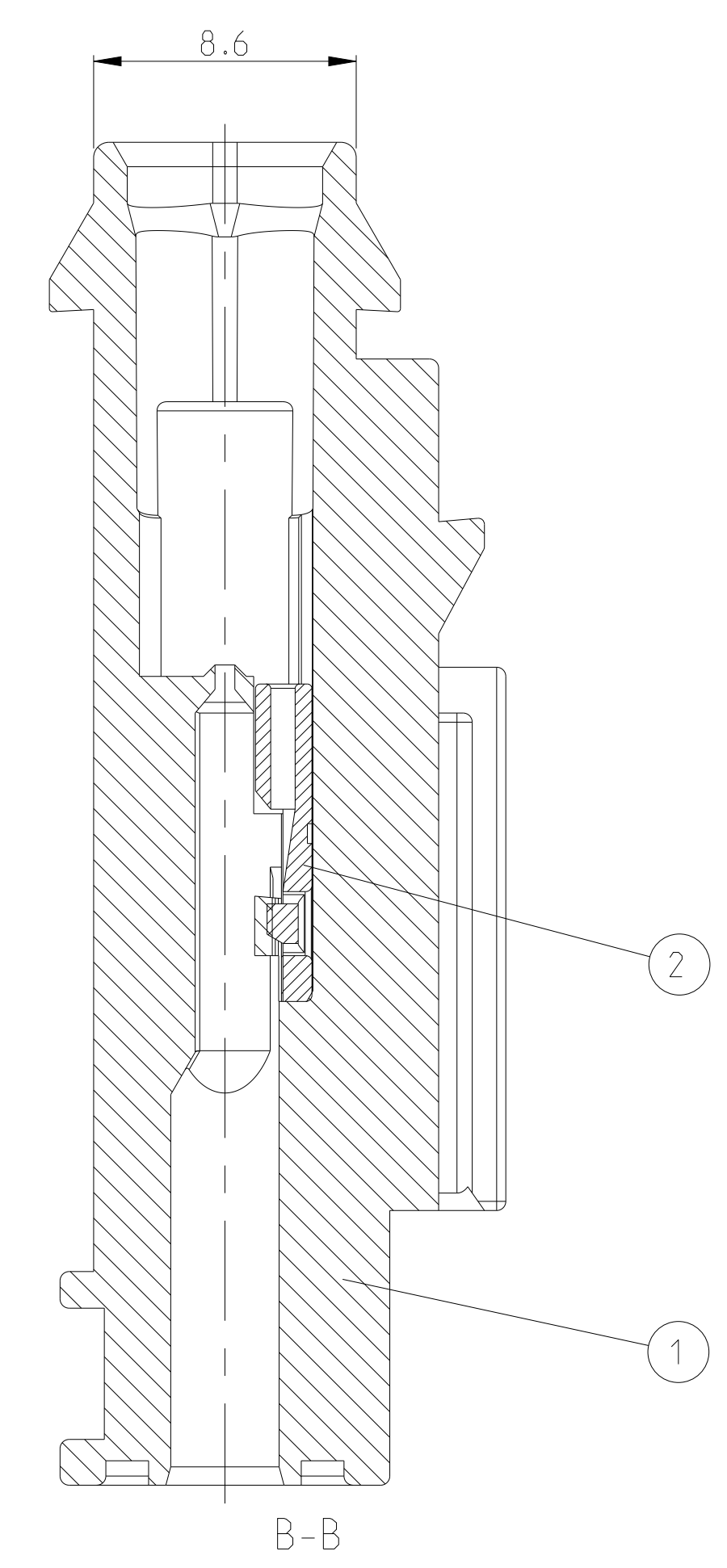
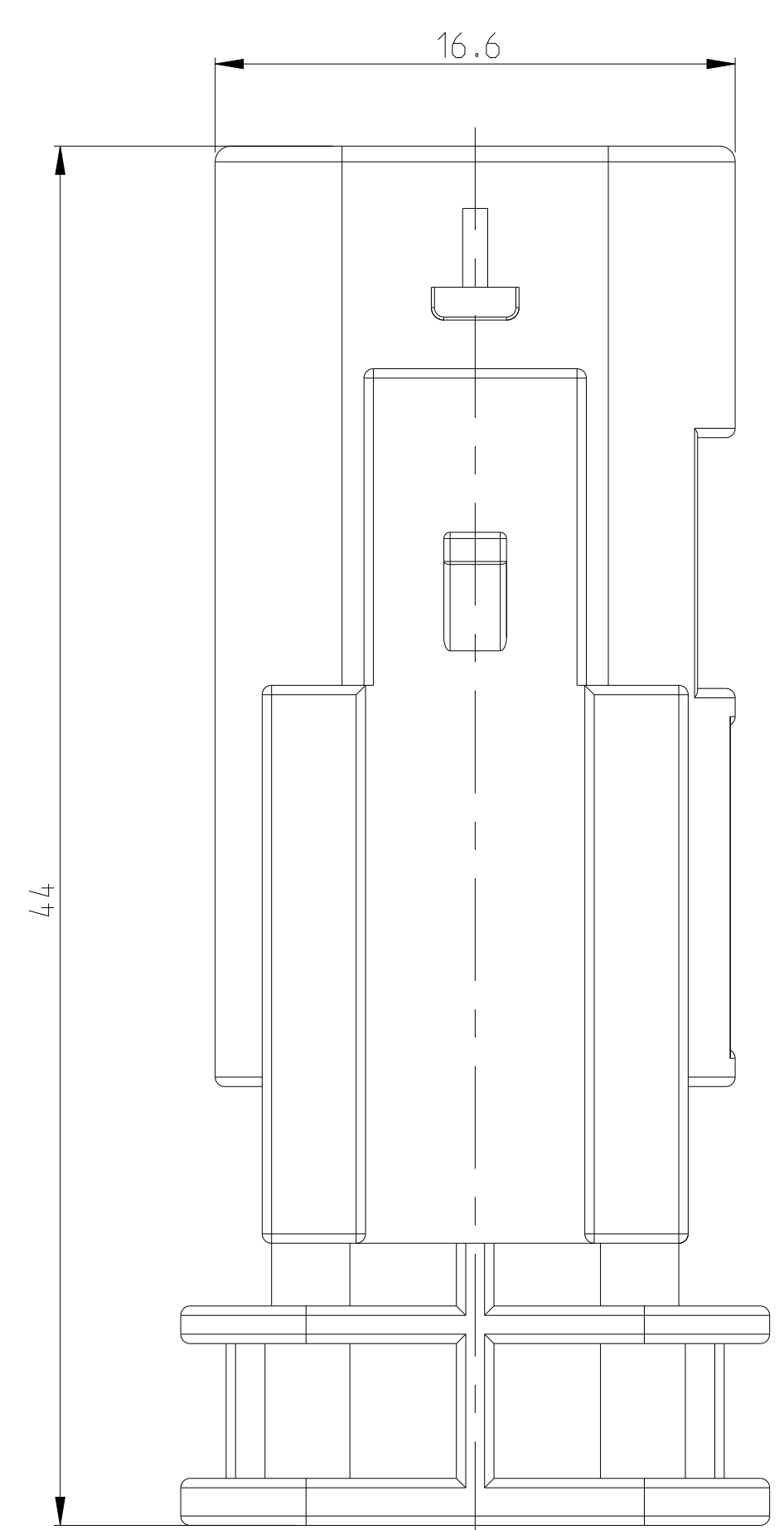
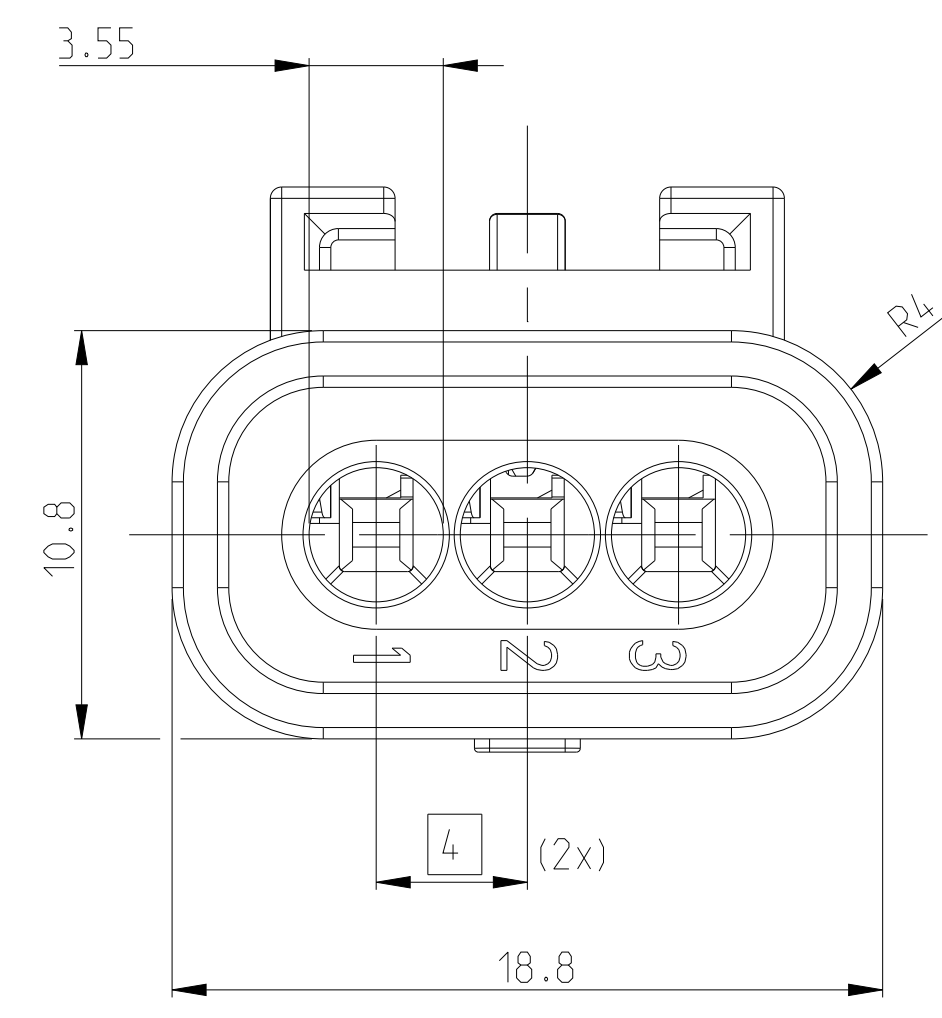
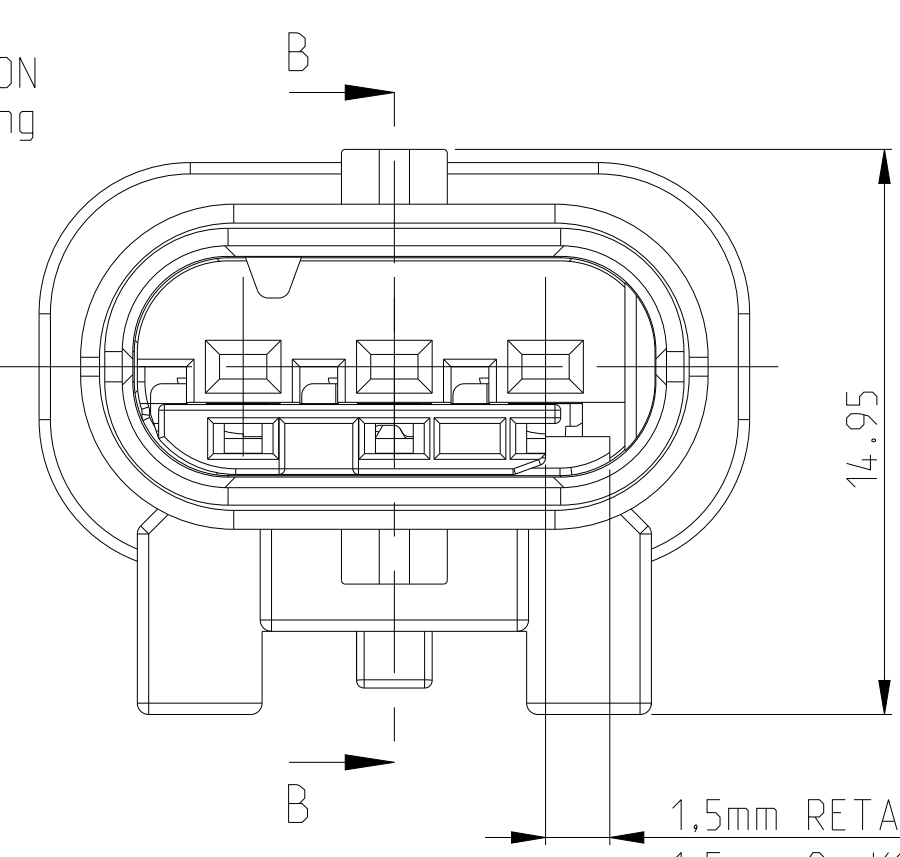


SHOWN 1-1703494-1

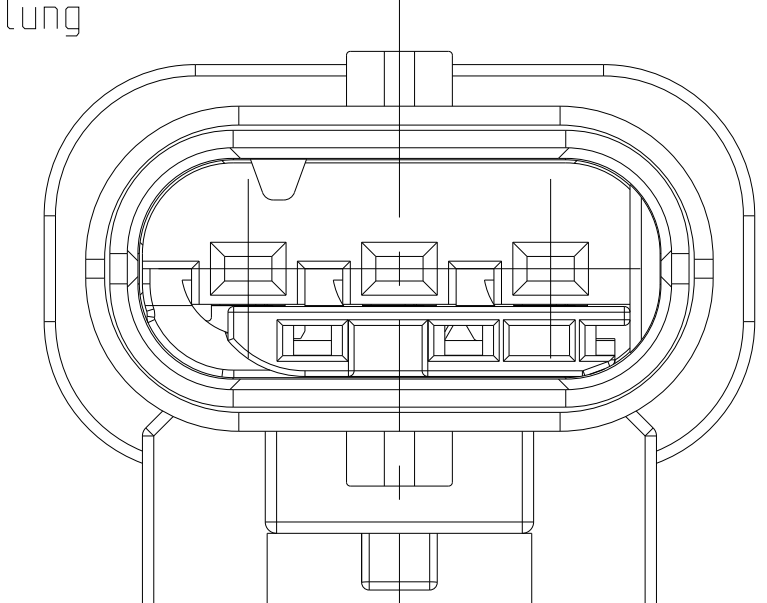


RETAINER IN PRE LOCKED POSITION
Kontaktsicherung in Vorraststellung

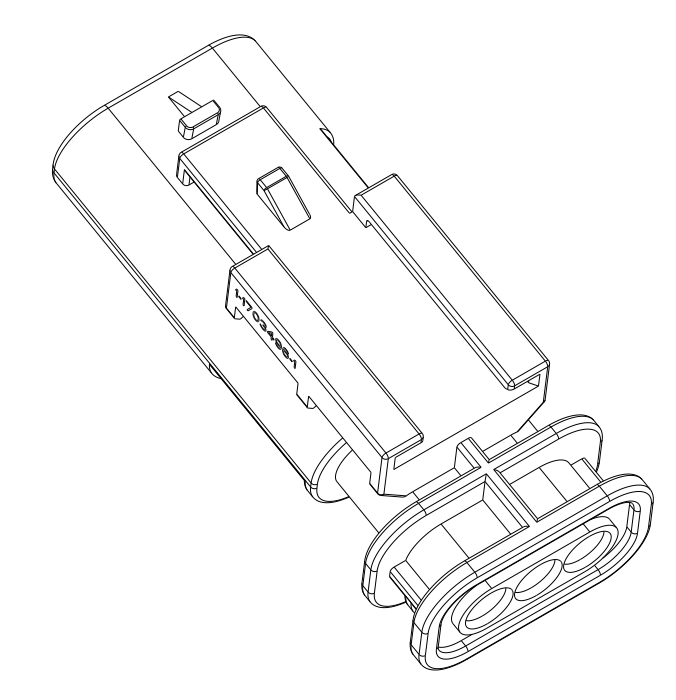


1.5mm RETAINER MOVING DISTANCE
1.5mm 2. KOSI. VERSCHIEBEBEWEG

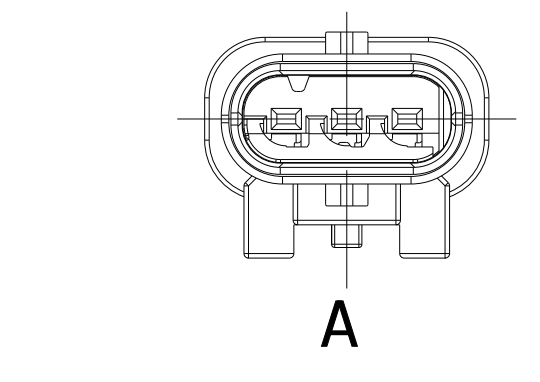
RETAINER IN FINAL LOCKED POSITION
2.Kontaktsicherung in Endraststellung



RETAINER MOVING DIRECTION
2.Kontaktsicherung Verschiebeweg



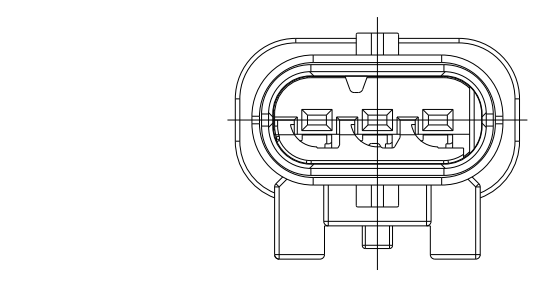
CODINGS KODIERUNGEN M 2:1



A
1-1703494-1
(BLACK)

(B2)

1-1703494-4
(YELLOW)



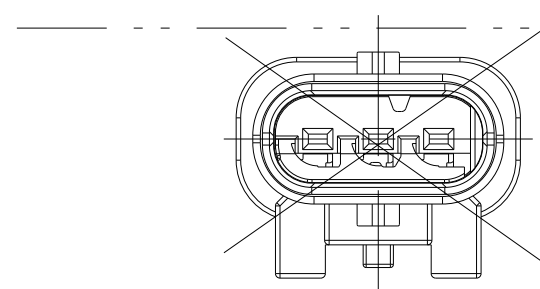
B
2-1703494-1
(BLACK)

(B2)

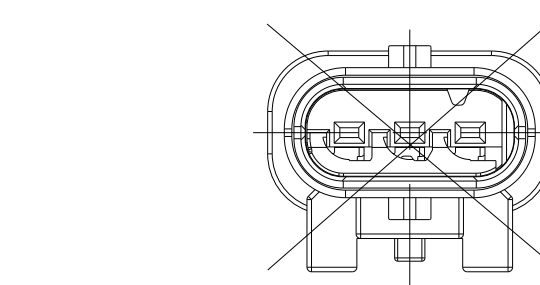
2-1703494-4
(YELLOW)

(B4)

6-1703494-1
(BLUE)

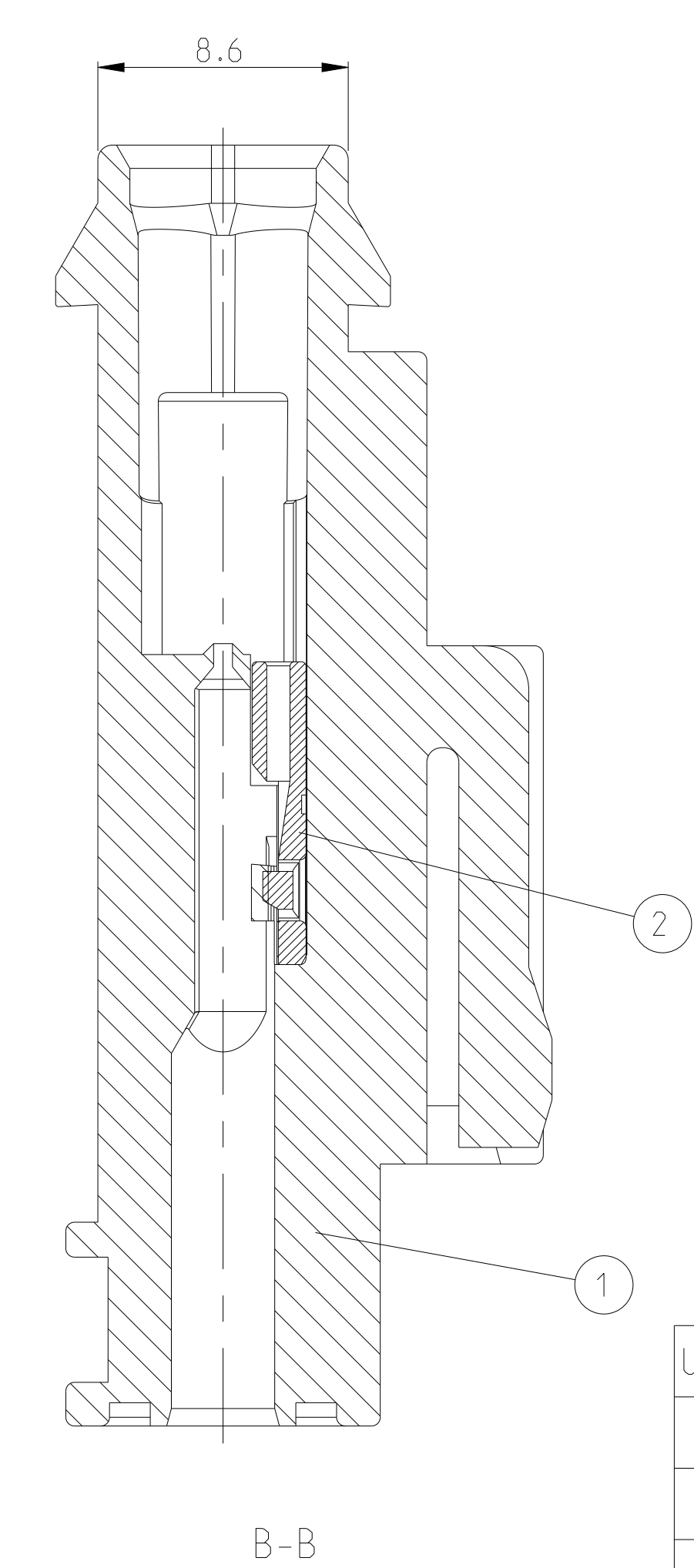
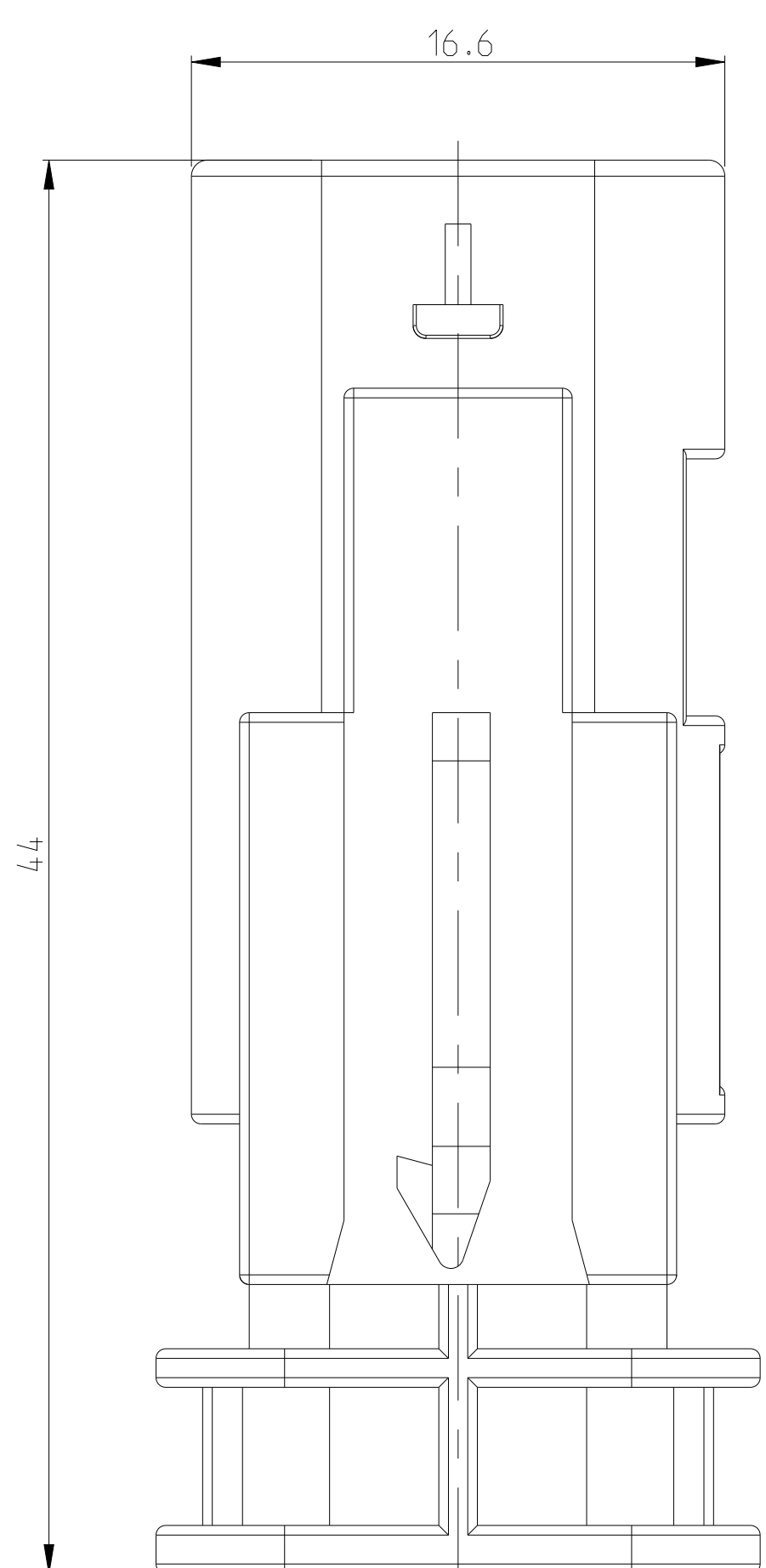
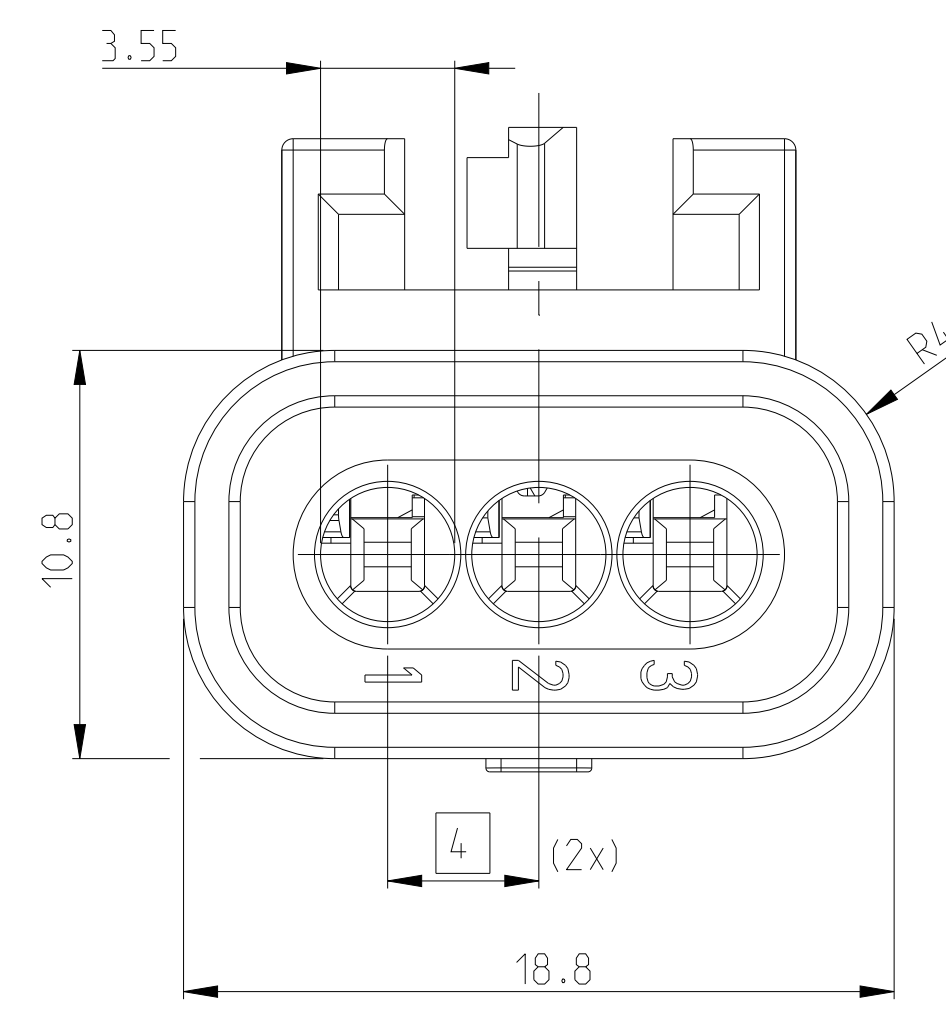


C
3-1703494-1

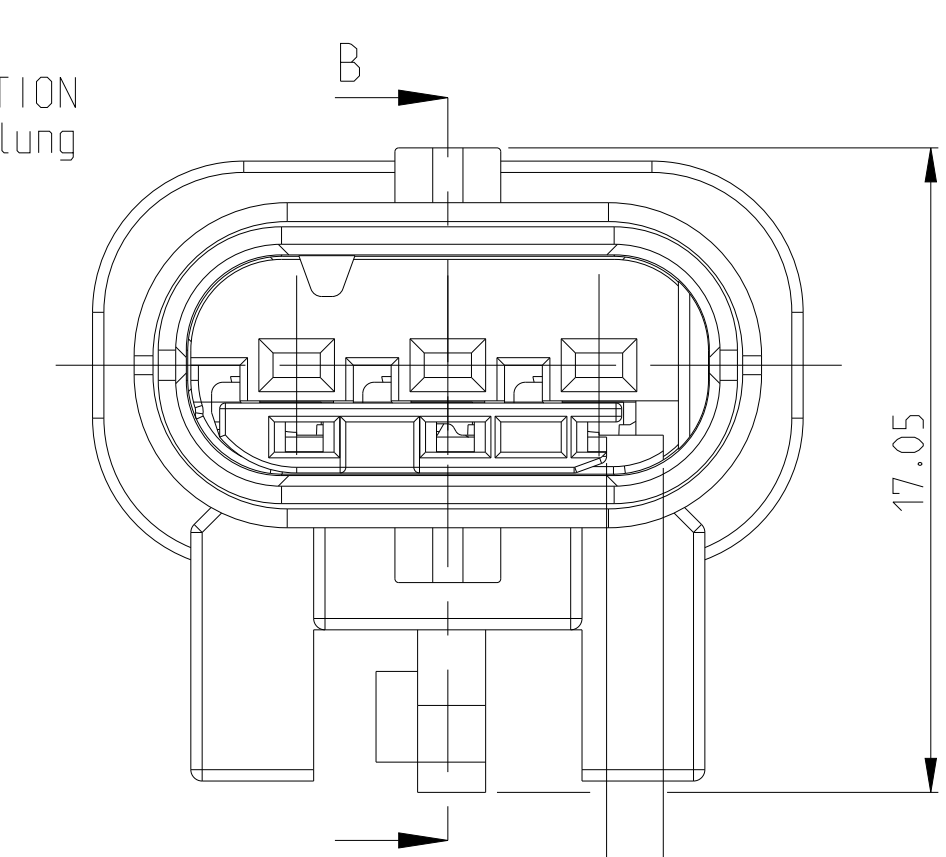


D
4-1703494-1

SHOWN 1-1703494-2

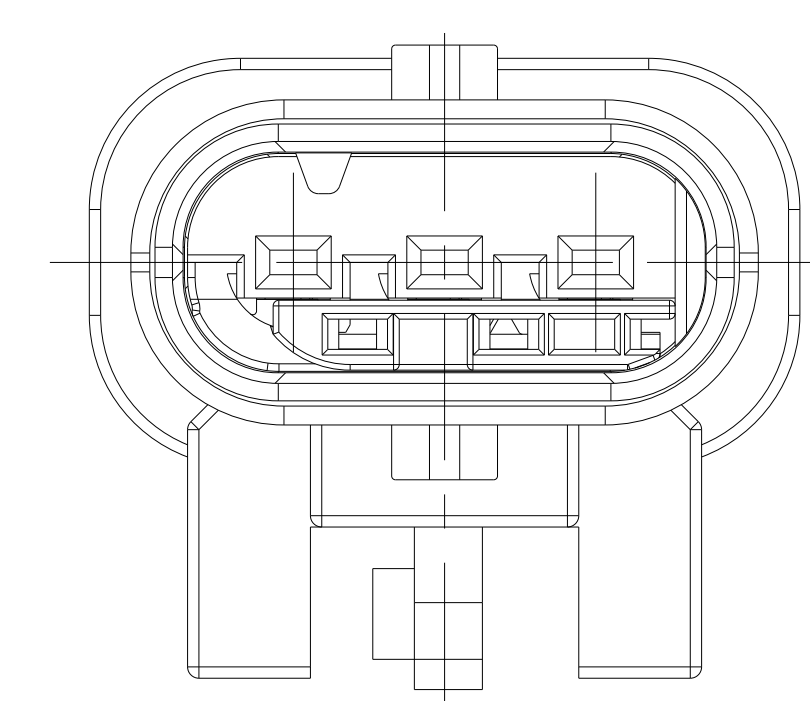


RETAINER IN PRE LOCKED POSITION
Kontaktsicherung in Vorraststellung

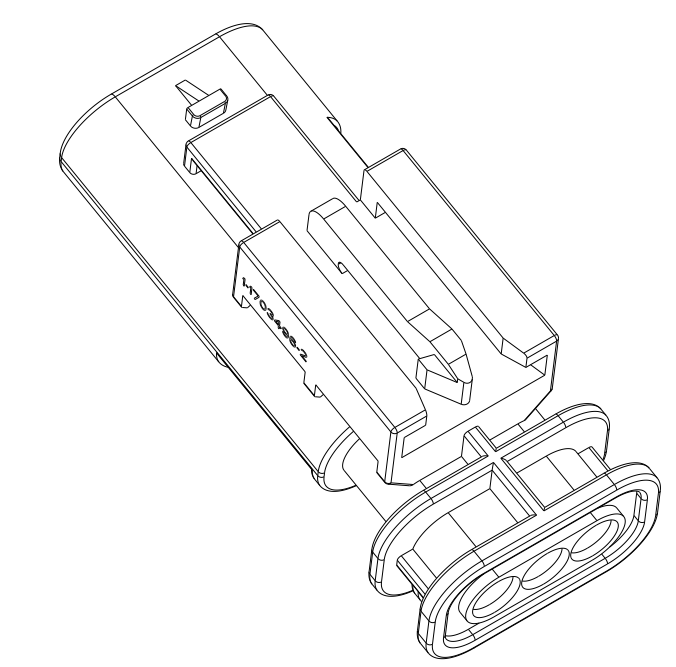


1.5mm RETAINER MOVING DISTANCE
1.5mm 2.KOSI. VERSCHIEBEBEWEG

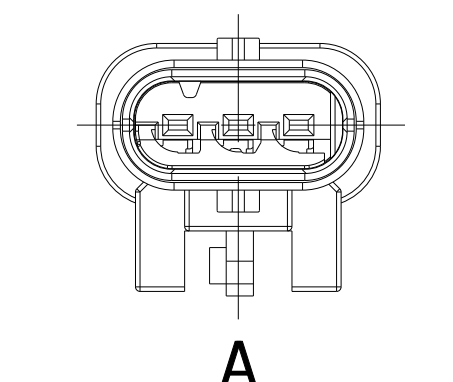
RETAINER IN FINAL LOCKED POSITION
2.Kontaktsicherung in Endraststellung



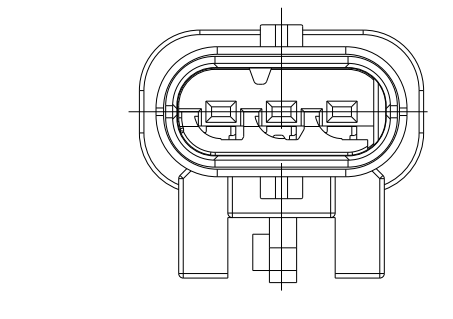
RETAINER MOVING DIRECTION
2.Kontaktsicherung Verschiebeweg



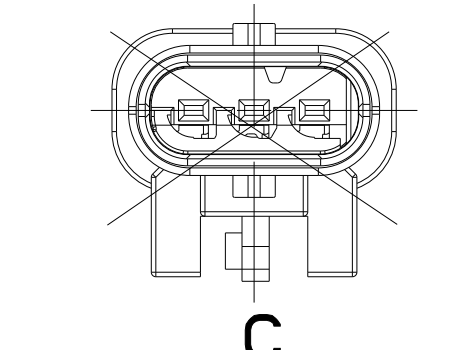
CODINGS KODIERUNGEN M 2:1



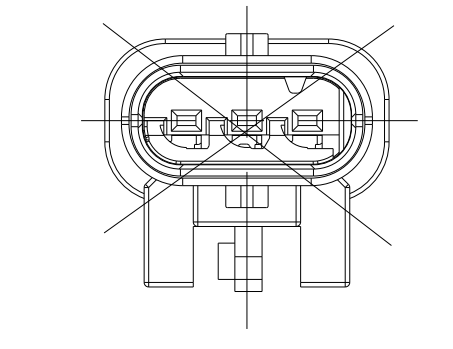
A
1-1703494-2



B
2-1703494-2



C
3-1703494-2



D
4-1703494-2

| TE - PN. TERMINALS | WIRE RANGE | TE - PN. SINGLE WIRE SEAL | TE - PN. BLIND PLUG |
|-----------------------|----------------------------|------------------------------|------------------------|
| 1718756 | 0.14 - 0.22mm ² | 967067-2 | (B2) |
| 1718758 | 0.25 - 0.35mm ² | 967067-2 | 967056-1 |
| 1718760 | 0.5 - 0.75mm ² | 967067-1 | |
| 1718762 | 1mm ² | 967067-1 | |

TERMINAL TE - APPLICATION SPEC.: 114-18464

| TE - PN. SUITABLE FEMALE HSG. PASSENDE BUCHSENGH. | TE - Bestell-Nr. ORDER-NO. | CODE | Benennung TITLE | ASSY REV. | QTY | Benennung Einzelteil TITLE | Werkstoff MATERIAL | Oberflaeche/Farbe SURFACE/C OLOUR | Pos. ITEM |
|---|----------------------------------|------|--|-----------|-----|-------------------------------|-----------------------|--------------------------------------|--------------|
| - | 4-1703494-2 | D | 1 Stiftgehäuse 3pol. MALE HOUSING 3POS. | B | 1 | Kontaktsicherung RETAINER | PA66-GF35 | violett/VIOLET | 2 |
| | | | 1 Stiftgehäuse MALE HOUSING | | | PBT-GF30 | schwarz/BLACK | 1d | |
| - | 3-1703494-2 | C | 1 Stiftgehäuse 3pol. MALE HOUSING 3POS. | B | 1 | Kontaktsicherung RETAINER | PA66-GF35 | violett/VIOLET | 2 |
| | | | 1 Stiftgehäuse MALE HOUSING | | | PBT-GF30 | schwarz/BLACK | 1c | |
| 2-1670947-1 | 2-1703494-2 | B | 1 Stiftgehäuse 3pol. MALE HOUSING 3POS. | B | 1 | Kontaktsicherung RETAINER | PA66-GF35 | violett/VIOLET | 2 |
| 1-1670917-1 | 1-1703494-2 | A | 1 Stiftgehäuse 3pol. MALE HOUSING 3POS. | B | 1 | Kontaktsicherung RETAINER | PA66-GF35 | violett/VIOLET | 2 |
| | | | 1 Stiftgehäuse MALE HOUSING | | | PBT-GF30 | schwarz/BLACK | 1a | |
| 2-1670917-1 | 6-1703494-1 | B | 1 Stiftgehäuse 3pol. MALE HOUSING 3POS. | B | 1 | Kontaktsicherung RETAINER | PA66-GF35 | violett/VIOLET | 2 |
| 2-1670917-1 | 2-1703494-4 | B | 1 Stiftgehäuse 3pol. MALE HOUSING 3POS. | B | 1 | Kontaktsicherung RETAINER | PA66-GF35 | violett/VIOLET | 2 |
| | | | 1 Stiftgehäuse MALE HOUSING | | | PBT-GF30 | gelb/YELLOW | 1b | |
| 1-1670917-1 | 1-1703494-4 | A | 1 Stiftgehäuse 3pol. MALE HOUSING 3POS. | B | 1 | Kontaktsicherung RETAINER | PA66-GF35 | violett/VIOLET | 2 |
| | | | 1 Stiftgehäuse MALE HOUSING | | | PBT-GF30 | gelb/YELLOW | 1b | |
| - | 4-1703494-1 | D | 1 Stiftgehäuse 3pol. MALE HOUSING 3POS. | B | 1 | Kontaktsicherung RETAINER | PA66-GF35 | violett/VIOLET | 2 |
| | | | 1 Stiftgehäuse MALE HOUSING | | | PBT-GF30 | schwarz/BLACK | 1d | |
| - | 3-1703494-1 | C | 1 Stiftgehäuse 3pol. MALE HOUSING 3POS. | B | 1 | Kontaktsicherung RETAINER | PA66-GF35 | violett/VIOLET | 2 |
| | | | 1 Stiftgehäuse MALE HOUSING | | | PBT-GF30 | schwarz/BLACK | 1c | |
| 2-1670917-1 | 2-1703494-1 | B | 1 Stiftgehäuse 3pol. MALE HOUSING 3POS. | B | 1 | Kontaktsicherung RETAINER | PA66-GF35 | violett/VIOLET | 2 |
| | | | 1 Stiftgehäuse MALE HOUSING | | | PBT-GF30 | gelb/YELLOW | 1b | |
| 1-1670917-1 | 1-1703494-1 | A | 1 Stiftgehäuse 3pol. MALE HOUSING 3POS. | B | 1 | Kontaktsicherung RETAINER | PA66-GF35 | violett/VIOLET | 2 |
| | | | 1 Stiftgehäuse MALE HOUSING | | | PBT-GF30 | schwarz/BLACK | 1a | |

| | | | |
|------|------------|------------------|------------|
| DATE | 12/01/2007 | DESIGNER | ICMAT 2007 |
| DATE | 12/01/2007 | DRIVER | ICMAT 2007 |
| DATE | 12/01/2007 | APPROVER | ICMAT 2007 |
| DATE | 12/01/2007 | PRODUCT SPEC | ICMAT 2007 |
| DATE | 12/01/2007 | APPLICATION SPEC | ICMAT 2007 |
| DATE | 12/01/2007 | ANGLE | ICMAT 2007 |
| DATE | 12/01/2007 | WEIGHT | ICMAT 2007 |
| DATE | 12/01/2007 | CUSTOMER DRAWING | ICMAT 2007 |