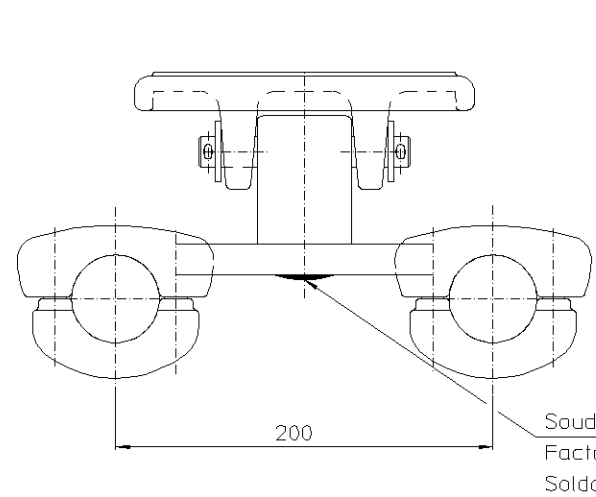


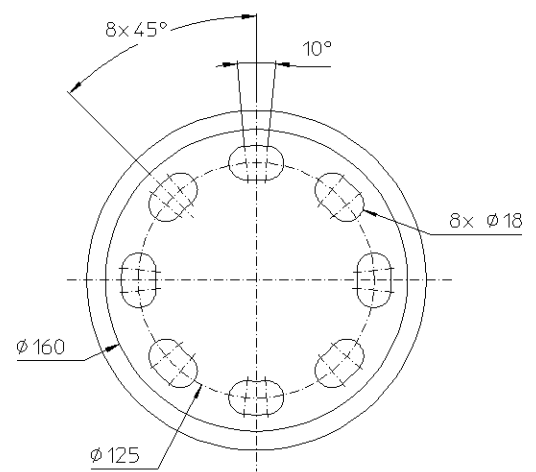
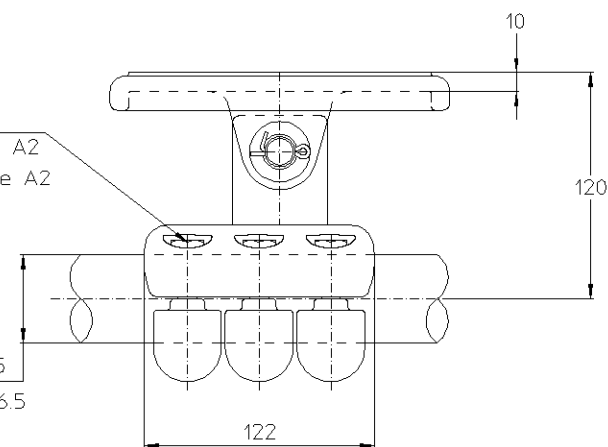
THIS DRAWING IS UNPUBLISHED.
 DIFFUSION RESEINTE AMP
 BY AMP INCORPORATED. ALL RIGHTS RESERVED.
 TOUS DROITS RESERVES

LOC	DIST	REVISIONS			
P	LTR REV	DESCRIPTION MODIFICATIONS	DATE	DWN DESS.	APVD APP.
FH	2				
	0	E000-0125-03	10-Apr-03	EN	HV



- 60 Nm {
- 12 Vis ø12 inox A2
 - 12 Screws 12DIA Stainless steel A2
 - 12 Tornillos ø12 Acero inoxidable A2

- 2 Cables ø44,6 à 46,5
- 2 Cables 44.6DIA to 46.5
- 2 Cables ø44.6 à 46.5



ITEM: ○

<small>THIS DRAWING IS A CONTROLLED DOCUMENT FOR AMP INCORPORATED. IT IS SUBJECT TO CHANGE AND THE CONTROLLING ENGINEERING ORGANIZATION SHOULD BE CONTACTED FOR THE LATEST REVISION. CE PLAN EST UN DOCUMENT CONTROLÉ PAR AMP INCORPORATED. IL EST SUSCEPTIBLE D'ÊTRE REVISÉ. CONTACTER LE SERVICE TECHNIQUE D'AMP SIMEL POUR OBTENIR LA DERNIÈRE REVISION.</small>		DW/DESSINE NIVOIS	10-Apr-03	tyco Electronics		SIMEL 21220 Gevrey Chambertin FRANCE	
DIMENSIONS: mm		CHK/VERIFIE ROYER	10-Apr-03	APVD/APPROUVE VIAL		NAME TITRE	
TOLERANCES UNLESS OTHERWISE SPECIFIED PER TOLERANCES NON SPECIFIEES SELON :-		PRODUCT SPEC SPEC. PRODUIT 02BFC0041		APPLICATION SPEC SPEC. APPLICATION -		4 CS 82 P5A SV465 D	
MATERIAL MATIERE	FINISH FINITION	WEIGHT MASSE APPROX. 4.6 KG	SIZE FORMAT A3	CAGE CODE 00779	DRAWING NO No PLAN ©=1701832		
		CUSTOMER DWG / PLAN CLIENT	UNIQUEMENT POUR REFERENCE	SCALE ECHELLE 1/3	SHEET FEUILLE 1 OF 1 DE 1	REV 0	