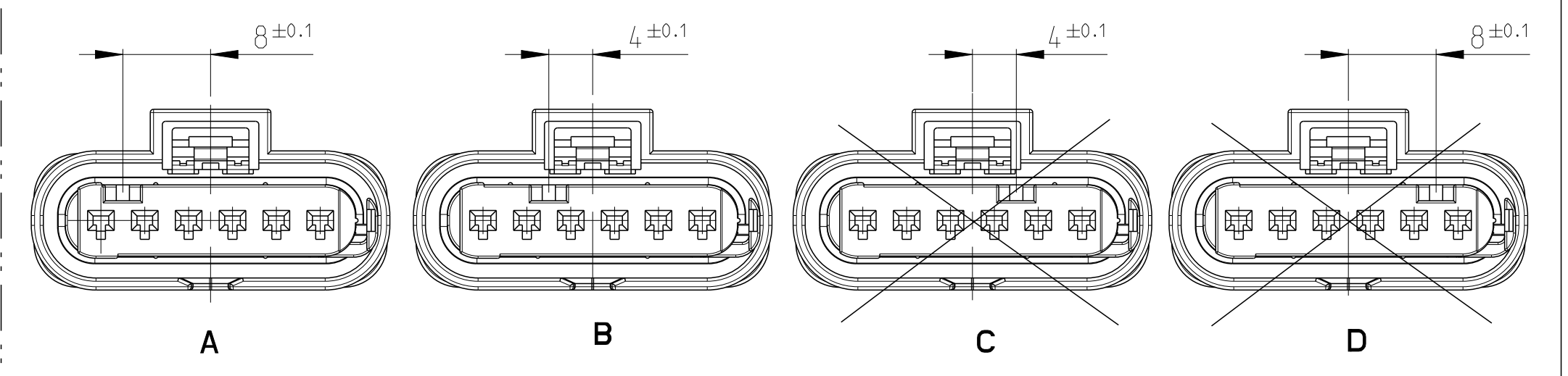
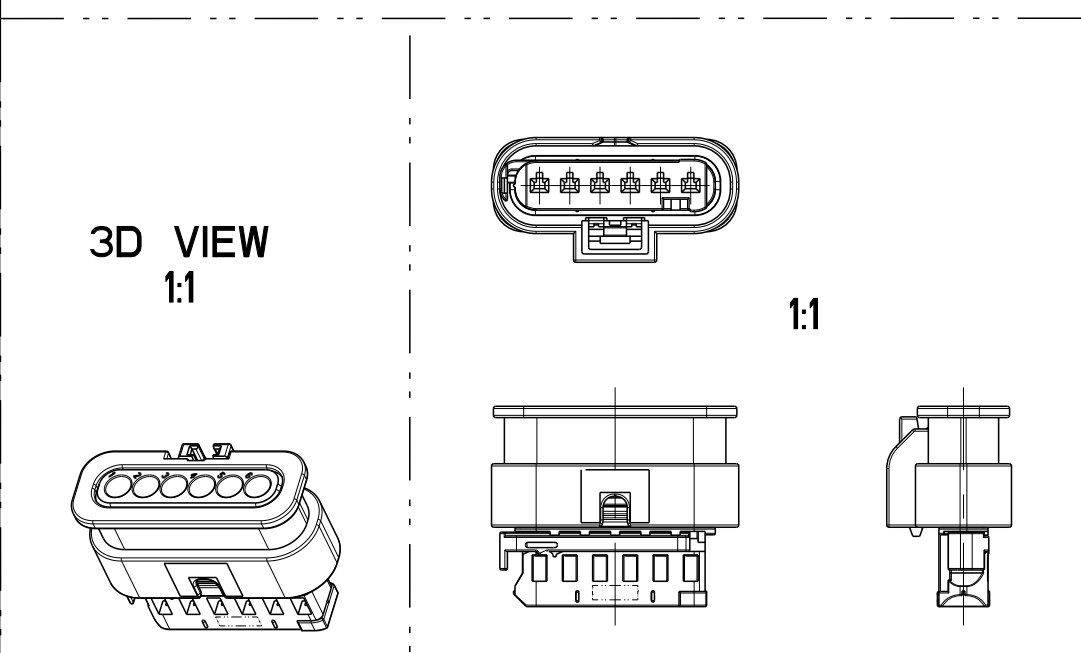
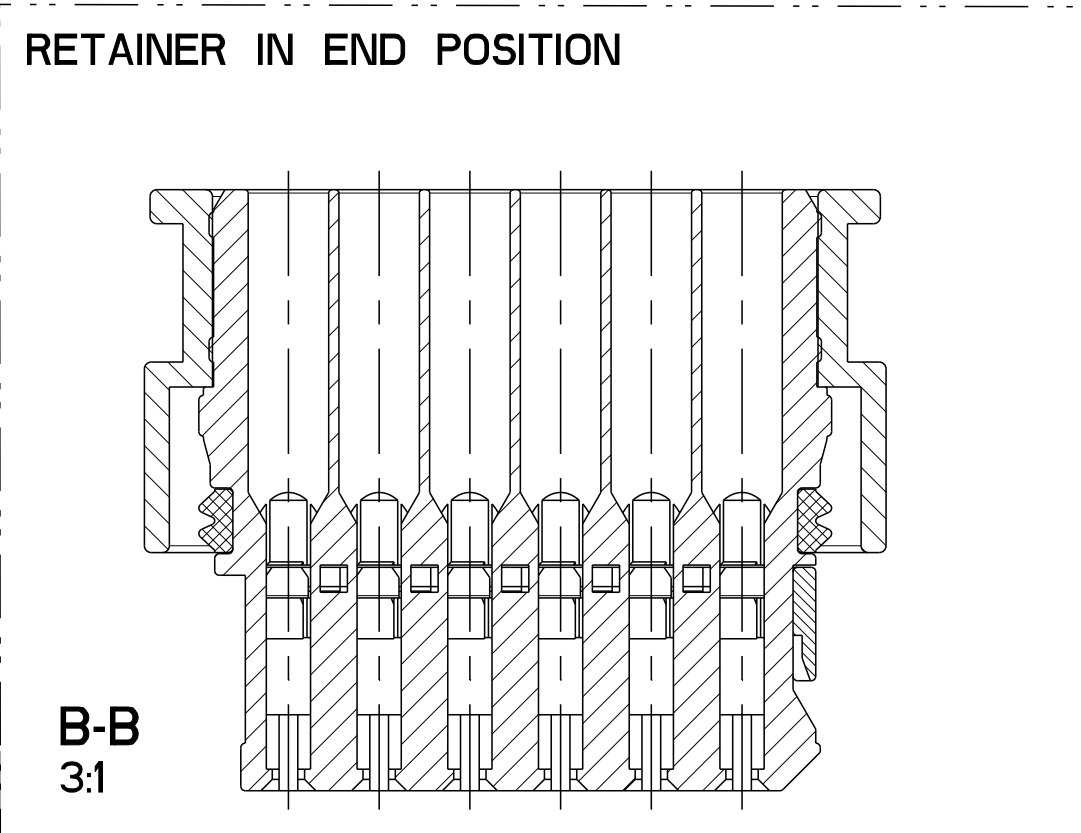
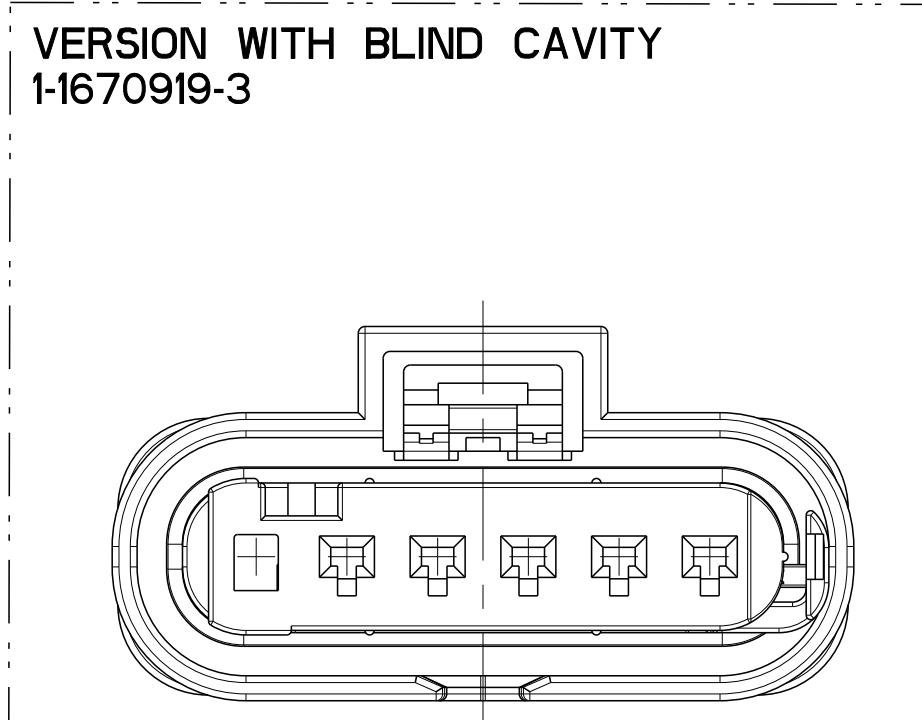


CODINGS M 2:1



- USABLE CONTACTS MCON 1.2 SEE TE-NO. 1452674, VERSION SINGLE WIRE SEAL
- MAX. WIRE SIZE RANGE 1.0 mm² FLR PERMITTED FOR CAVITY-Ø 3.55mm QUANTITY SEE WIRE HARNESS DRAWING FOR PERMISSIBLE CURRENT CARRYING CAPACITY OF THE SINGLE CONTACT SEE PRODUCT SPECIFICATION NO.108-18782
- TE RELEVANT IDENTIFICATION AND TRACKING NUMBERS
- SPACE OF ACTIVITY
- SUPPLY CONDITION: RETAINER IN PRELOCKED POSITION
- WARPAGE PERMITTED TO MAX. -0.5mm
- TE ORDER-NO.
- ACCORDING TO INTERFACE DRAWING SEE TE-NO. 114-18679-3
- ASSEMBLY LINE SEGMENT IDENTIFICATION
- DATE CODE (DD/YY)
- DIVERGENT MARKING ALLOWED FOR PARTS FROM CHINESE PRODUCTION
- AREA FOR PRINT WITH CUSTOMER RELEVANT MARKING
- TE TRADEMARK



TE-ORDER-NO.	COD	DESCRIPTION	REV	QTY	COMPONENT DESCRIPTION	MATERIAL	SURFACE/COLOUR	Pos. ITEM
1-1670919-3	A	6pos. MCON 1.2 - LL Connector, Sealed	F	1	6pos. MCON 1.2 - Seal	MVQ	NATURE	4
				1	6pos. MCON 1.2 - Retainer	PA66-GF15	VIOLETT SIML. RAL 4006	3
				1	6pos. MCON 1.2 - Protec. Cover	PA6-GF15	BLACK SIML. RAL 9011	2
				1	6pos. MCON 1.2 - Recepticle Hsg.	PA66-GF30	BLACK SIML. RAL 9011	1
2-1670919-1	B	6pos. MCON 1.2 - LL Connector, Sealed	F	1	6pos. MCON 1.2 - Seal	MVQ	NATURE	4
				1	6pos. MCON 1.2 - Retainer	PA66-GF15	VIOLETT SIML. RAL 4006	3
				1	6pos. MCON 1.2 - Protec. Cover	PA6-GF15	BLACK SIML. RAL 9011	2
				1	6pos. MCON 1.2 - Recepticle Hsg.	PA66-GF30	NATURE	1
1-1670919-1	A	6pos. MCON 1.2 - LL Connector, Sealed	F	1	6pos. MCON 1.2 - Seal	MVQ	NATURE	4
				1	6pos. MCON 1.2 - Retainer	PA66-GF15	VIOLETT SIML. RAL 4006	3
				1	6pos. MCON 1.2 - Protec. Cover	PA6-GF15	BLACK SIML. RAL 9011	2
				1	6pos. MCON 1.2 - Recepticle Hsg.	PA66-GF30	BLACK SIML. RAL 9011	1

1- -1 AS SHOWN

THIS DRAWING IS A CONTROLLED DOCUMENT.		OWN R. Bachmann	18DEC2006
DIMENSIONS: mm		APVD	
TOLERANCES UNLESS OTHERWISE SPECIFIED		PRODUCT SPEC	NAME
0 PLC ±		108-18969	6pos. MCON 1.2 - LL Connector
1 PLC ±		APPLICATION SPEC	Sealed
2 PLC ±		114-18861	SIZE CAGE CODE DRAWING NO
3 PLC ±		WEIGHT 6.4 g	A1 00779 C=1670919
MATERIAL		CUSTOMER DRAWING	RESTRICTED TO
FINISH		SCALE 5:1	SHEET 1 OF 1 REV F2