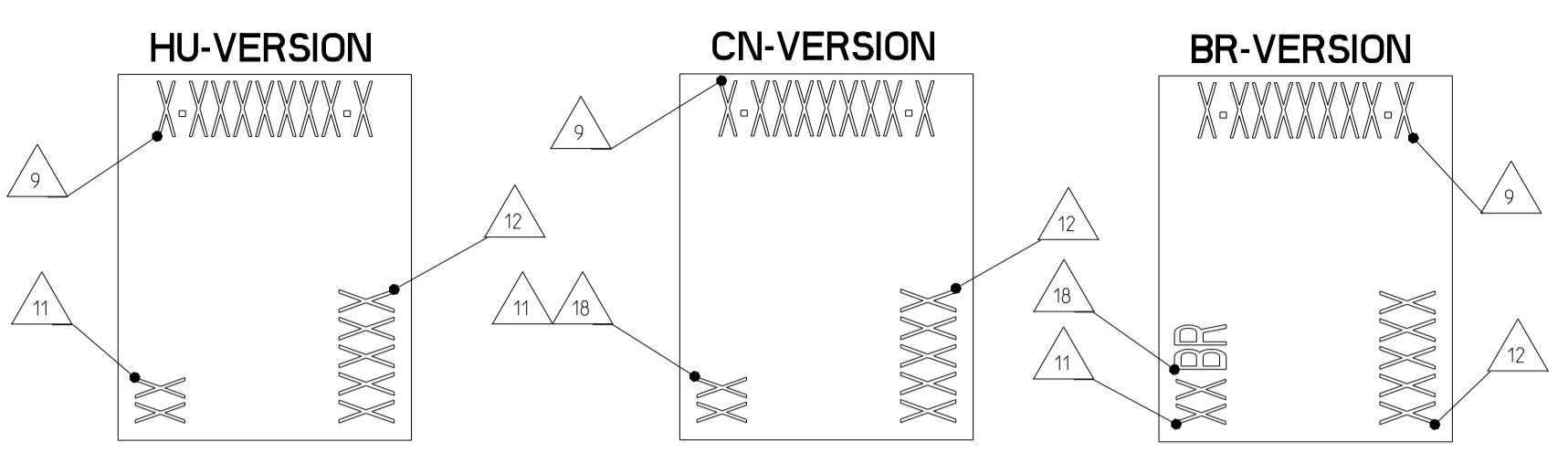
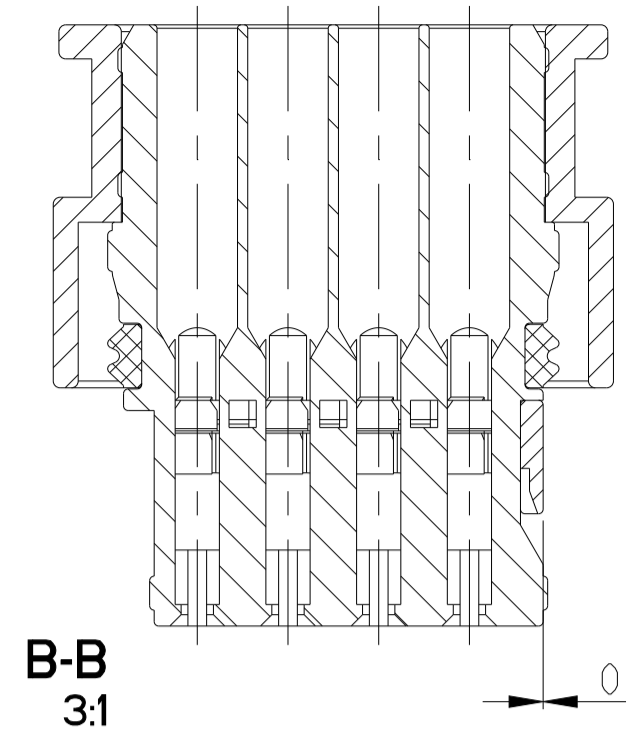


PRINT: $\triangle 1$
5:1

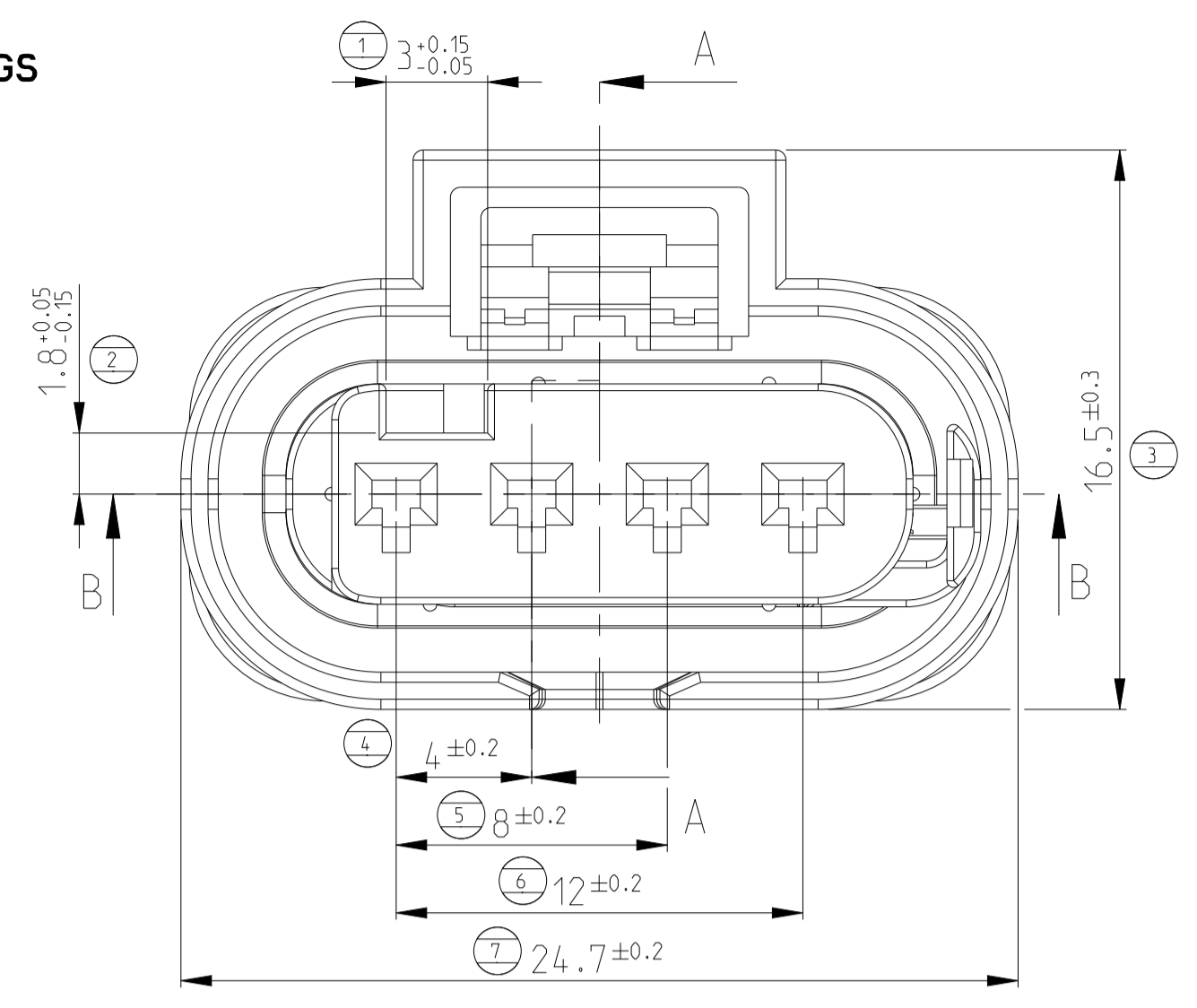


RETAINER IN END POSITION

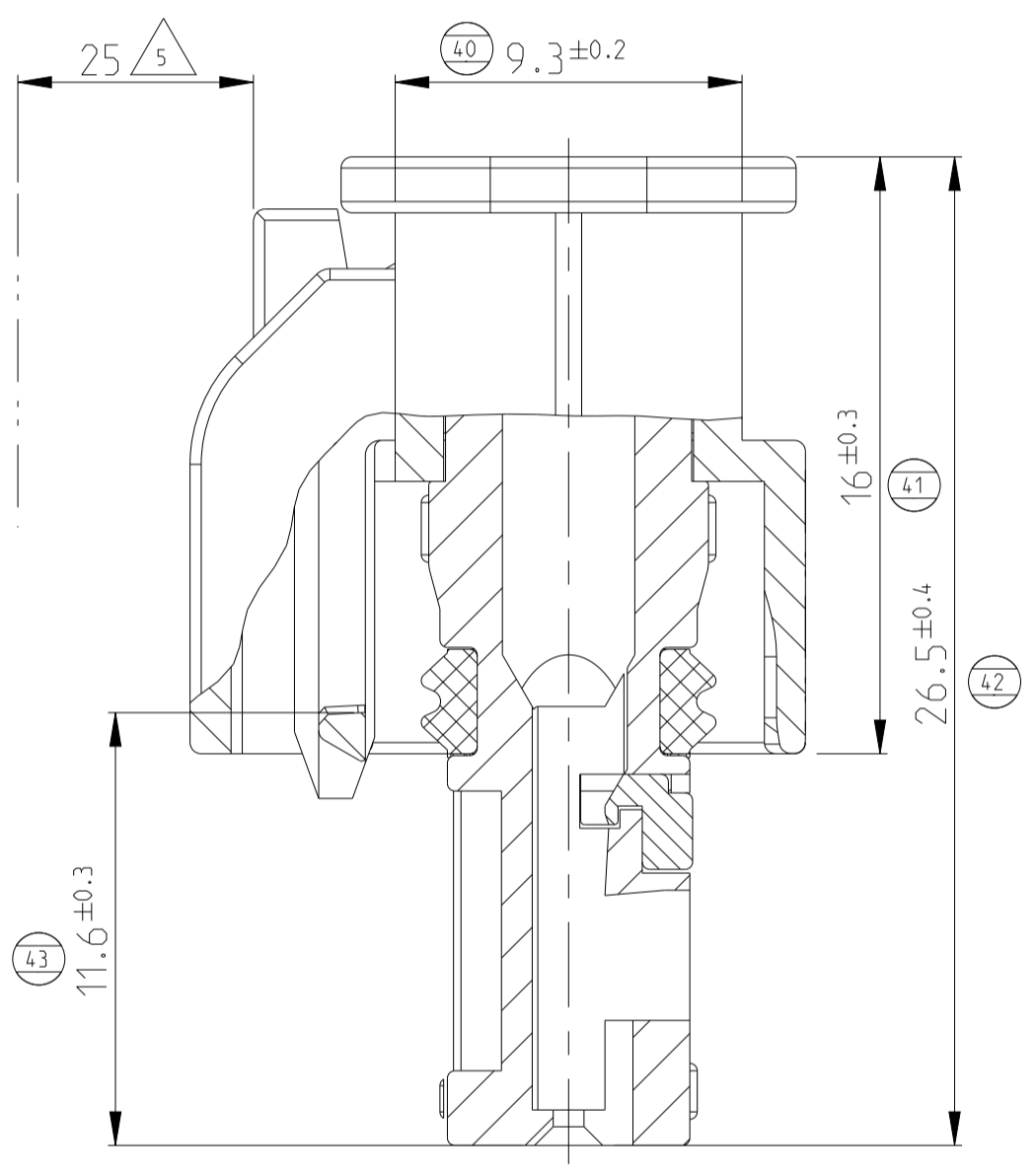


B-B
3:1

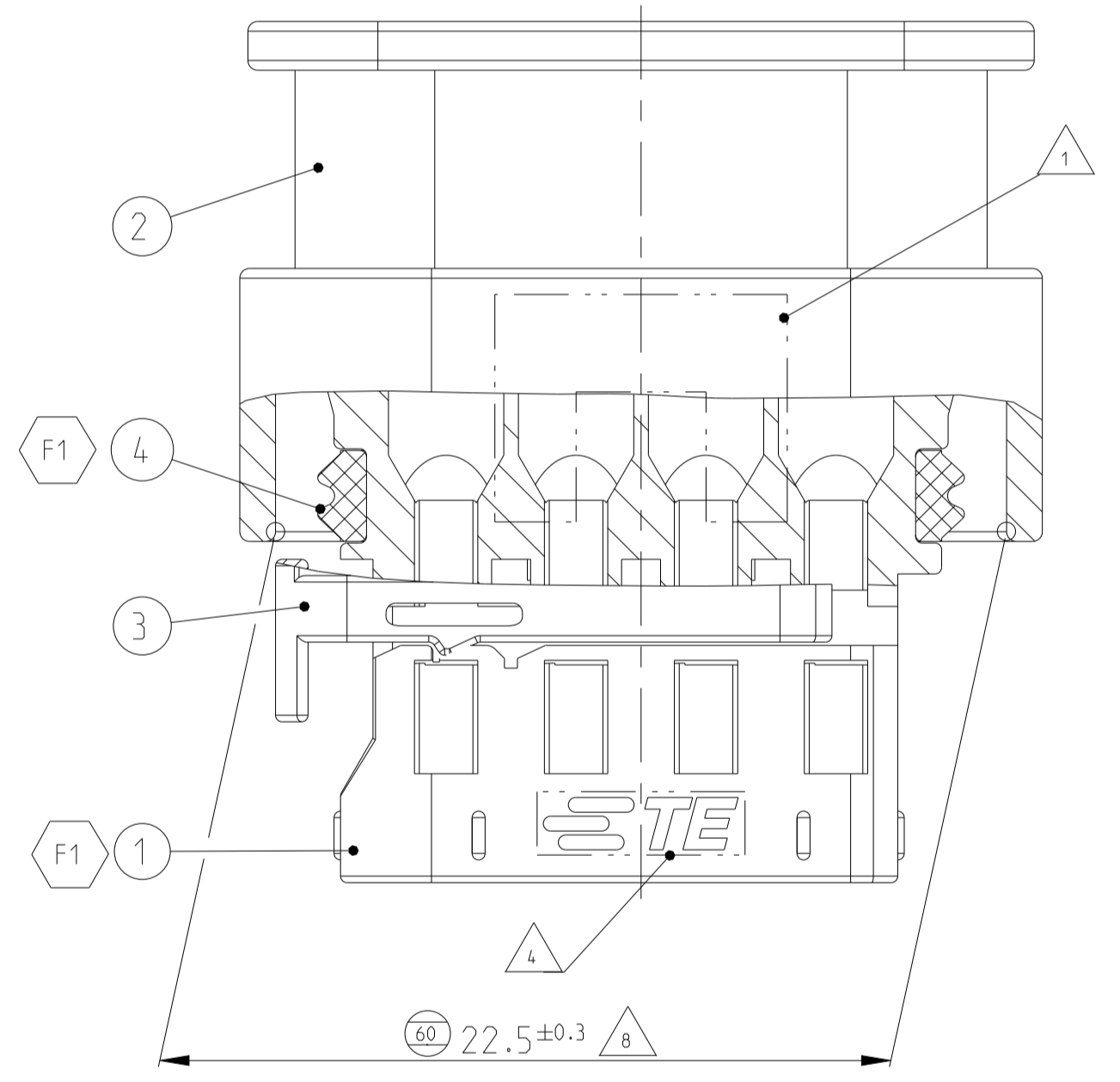
CODINGS
M 2:1



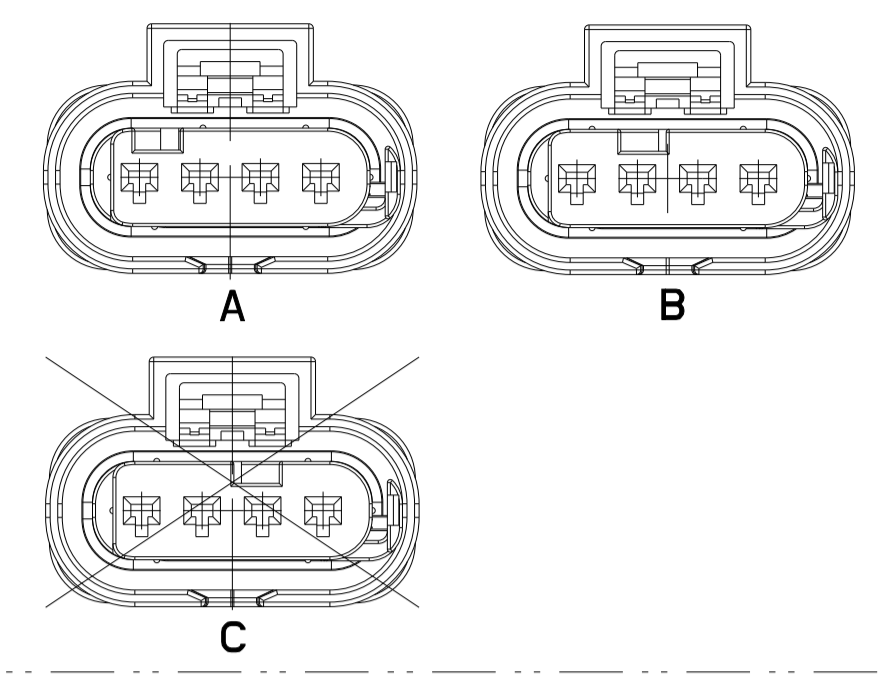
A-A



B-B

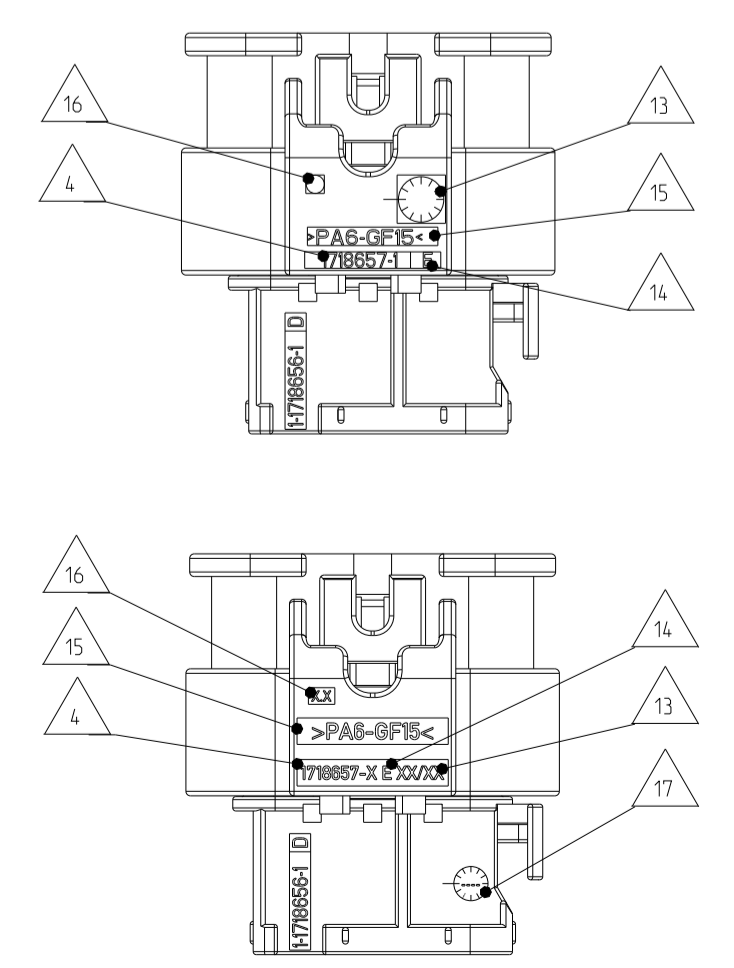


REVISIONS				
P	LTN	DESCRIPTION	DATE	OWN APVD
E1	ECR-12-011368		22 JUN 2012	SZN GB
F	2-1670918-1	Seal and Rec. Hsg. design impr.	08 JUL 2021	SZN LSZ
F1	1-1670918-1	Seal and Rec. Hsg. design impr.	22 DEC 2021	SZN LSZ
F2	CN VERSION ADDED		15 JAN 2024	SZN LSZ

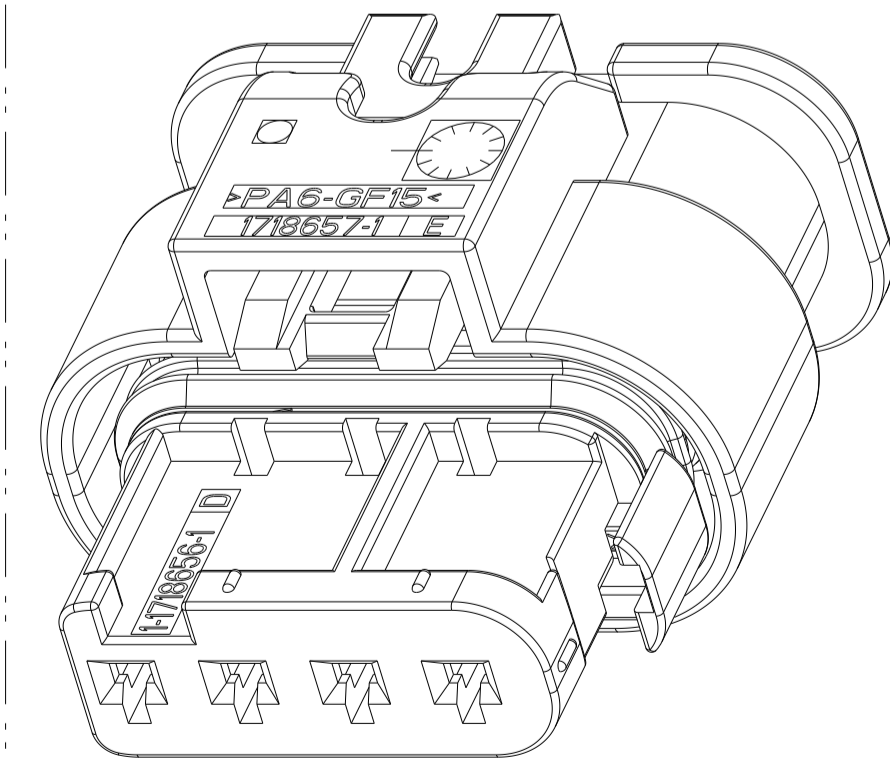


- $\triangle 1$ AREA FOR PRINT
- 2 USABLE CONTACTS MCON 1.2 LL
SEE TE-NO. 1452674. SINGLE WIRE SYSTEM
- 3 MAX. WIRE SIZE RANGE 1.5 mm² FLR PERMITTED
FOR CAVITY-Ø 3.55MM
SEE WIRE HARNESS DRAWING FOR PERMISSIBLE
CURRENT CARRYING CAPACITY OF THE SINGLE CONTACT
SEE PRODUCT SPECIFICATION NO.108-18782
- $\triangle 4$ SUPPLIER-MARK
- $\triangle 5$ SPACE OF ACTIVITY
- $\triangle 6$ -
- $\triangle 7$ SUPPLY CONDITION: RETAINER IN PRELOCKED POSITION
- $\triangle 8$ WARPAGE PERMITTED TO MAX. -0.5mm
- $\triangle 9$ TE ORDER-NO.
- 10 ACCORDING TO INTERFACE DRAWING
SEE TE-NO. 114-18679-3
- $\triangle 11$ ASSEMBLY LINE SEGMENT IDENTIFICATION
- $\triangle 12$ DATE CODE (DDYY)
- $\triangle 13$ CIRCULAR DATE INSERT ONLY FOR VERSION 1
DATE FORMAT FOR VERSION 2 (YY/MM)
- $\triangle 14$ REVISION, CORRESPONDING TO ACTUAL REVISION
- $\triangle 15$ MATERIAL IDENTIFICATION
- $\triangle 16$ MOULD CAVITY IDENTIFICATION
- $\triangle 17$ DATE INSERT FOR RECEPTACLE HOUSING
- $\triangle 18$ DIVERGENT MARKING FOR PARTS FROM U.S. AND CHINA PRODUCTION

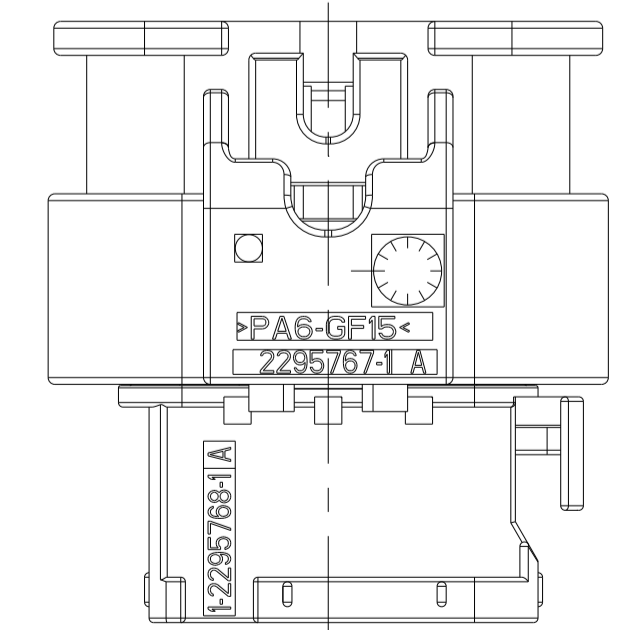
DIVERGENT MARKING IS ALLOWED
FOR PARTS FROM DIFFERENT TOOLS
2:1



3D VIEW
4:1



DIFFERENT REC. HSG. DESIGN
ON THE PARTS FROM CN.



TE-ORDER-NO.	COD	DEFINITION	REV	QTY	DEFINITION	MATERIAL	SURFACE/COLOUR	ITEM
3-1670918-1	A	4pos. MCON 1.2 - LL Connector, Sealed	E	1	4pos. MCON 1.2 - Seal	MVQ	NATURE	4
				1	4pos. MCON 1.2 - Retainer	PA66-GF15	VIOLET	3
				1	4pos. MCON 1.2 - Protec. Cover	PA6-GF15	BLACK	2
				1	4pos. MCON 1.2 - Rec. Housing	PA66-GF30	BLUE	1
2-1670918-1	B	4pos. MCON 1.2 - LL Connector, Sealed	F	1	4pos. MCON 1.2 - Seal	MVQ	NATURE	4
				1	4pos. MCON 1.2 - Retainer	PA66-GF15	VIOLET	3
				1	4pos. MCON 1.2 - Protec. Cover	PA6-GF15	BLACK	2
				1	4pos. MCON 1.2 - Rec. Housing	PA66-GF30	NATURE	1
1-1670918-1	A	4pos. MCON 1.2 - LL Connector, Sealed	F1	1	4pos. MCON 1.2 - Seal	MVQ	NATURE	4
				1	4pos. MCON 1.2 - Retainer	PA66-GF15	VIOLET	3
				1	4pos. MCON 1.2 - Protec. Cover	PA6-GF15	BLACK	2
				1	4pos. MCON 1.2 - Rec. Housing	PA66-GF30	BLACK	1

TOLERANCES UNLESS OTHERWISE SPECIFIED ACC. TO DIN 16901-140@CENTRIC TO NOMINAL DIMENSION. EDITION 1982-11 SHALL APPLY. Freimessstoleranzen nach DIN 16901-140@. Es gilt die Ausgabe 1982-11.		DWN R. Bachmann 19DEC2006	
THIS DRAWING IS A CONTROLLED DOCUMENT.		CHK -	
DIMENSIONS: mm		APVD -	
0 PLC		PRODUCT SPEC	
1 PLC		108-18969	
2 PLC		APPLICATION SPEC	
3 PLC		114-18861	
MATERIAL -		WEIGHT 5 g	
FINISH -		CUSTOMER DRAWING	

3:1		NAME 4pos. MCON 1.2 - LL Connector, Sealed	
TE Connectivity		SIZE CAGE CODE DRAWING NO RESTRICTED TO	
A 00779		114-18861	
SCALE 5:1		SHEET 1 OF 1	
REV 2		REV F2	