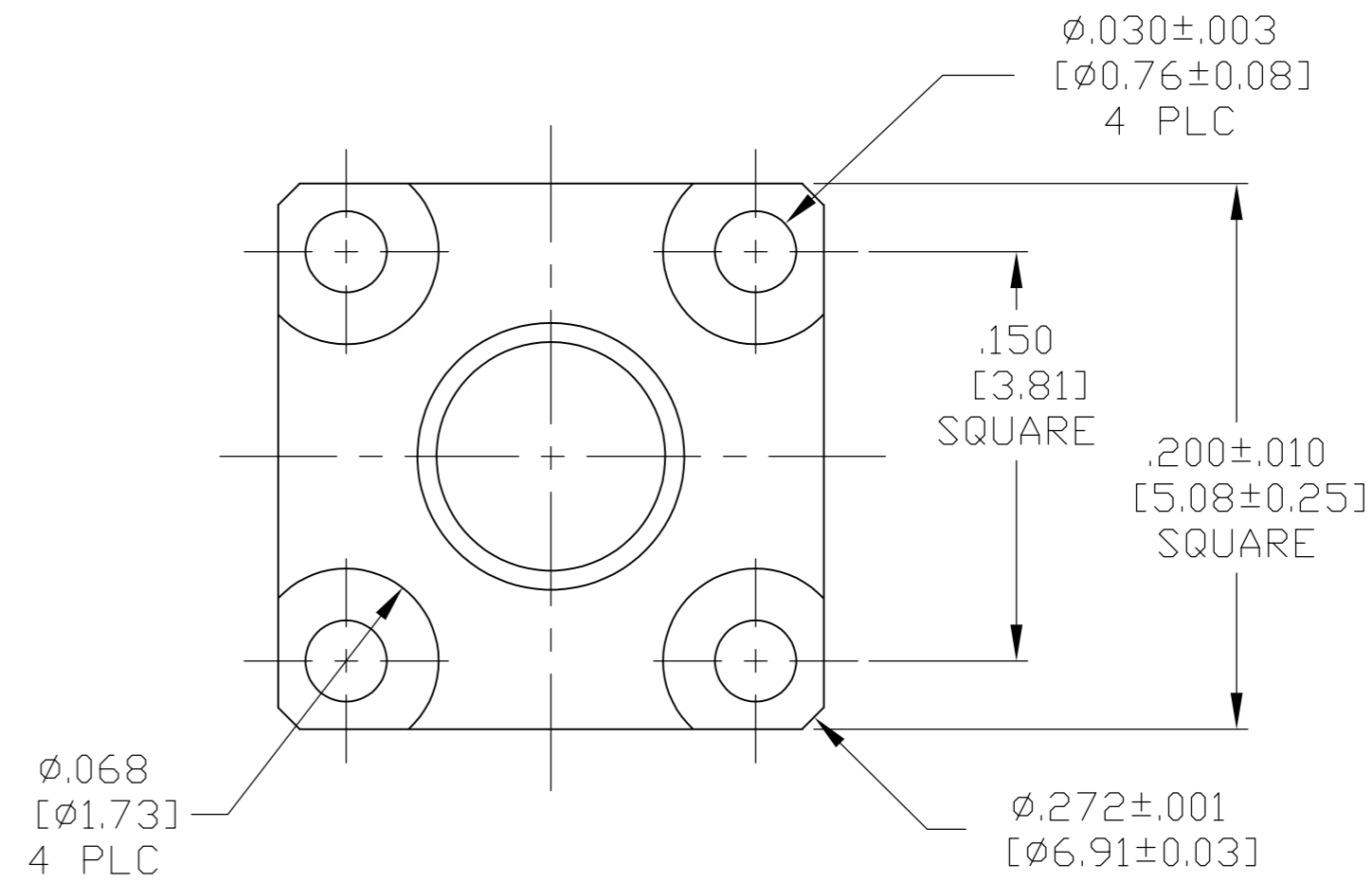
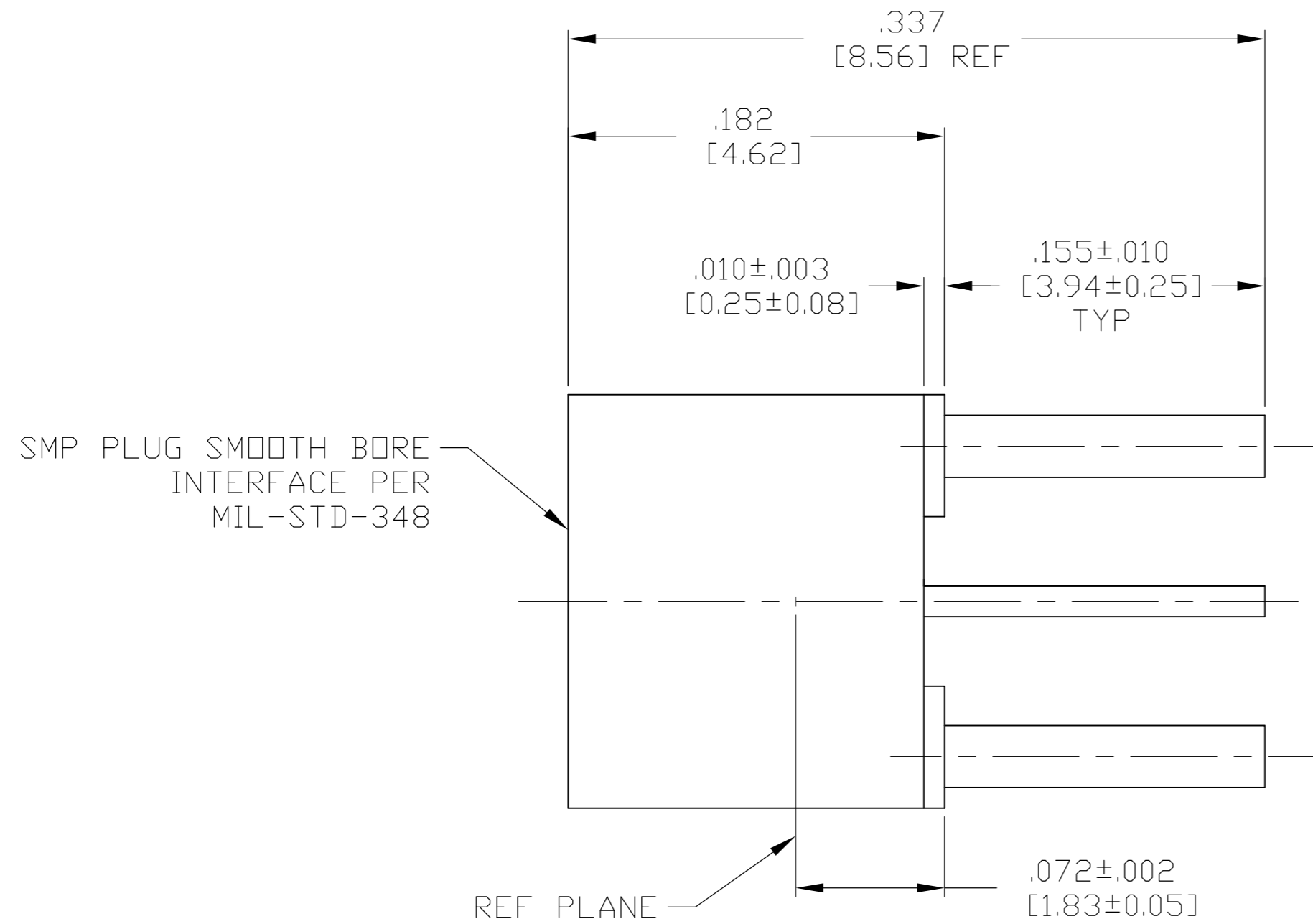


THIS DRAWING IS UNPUBLISHED.		RELEASED FOR PUBLICATION	- .N/A .
© COPYRIGHT N/A BY TYCO ELECTRONICS CORPORATION.		ALL RIGHTS RESERVED.	
COMPONENT	MATERIAL	FINISH	
CONTACT HOUSING	BERYLLIUM COPPER PER ASTM-B-196 OR 197 ALLOY C17300, CONDITION H	GOLD PLATED PER ASTM-B-488	
DIELECTRIC	PTFE FLUORCARBON PER ASTM-D-484	-	

LOC	DIST	REVISIONS			
P	LTR	DESCRIPTION	DATE	DWN	APVD
-	-	A	REVISED	1-12-11	CT BM



1663679-1
PART NUMBER

THIS DRAWING IS A CONTROLLED DOCUMENT.		DWN C.C.THOMAS 01FEB2006	AMP Tyco Electronics Corporation Harrisburg, PA 17105-3608																			
DIMENSIONS: INCHES [mm]		CHK R.GROSS 2-1-06	NAME SMP VERTICAL PCB PLUG																			
TOLERANCES UNLESS OTHERWISE SPECIFIED:		APVD R.GROSS 2-1-06	SIZE A2																			
<table border="1"> <tr><td>0 PLC</td><td>±</td><td>-</td></tr> <tr><td>1 PLC</td><td>±</td><td>-</td></tr> <tr><td>2 PLC</td><td>±</td><td>-</td></tr> <tr><td>3 PLC</td><td>±</td><td>.005 [0.13]</td></tr> <tr><td>4 PLC</td><td>±</td><td>-</td></tr> <tr><td>ANGLES</td><td>±</td><td>-</td></tr> </table>		0 PLC	±	-	1 PLC	±	-	2 PLC	±	-	3 PLC	±	.005 [0.13]	4 PLC	±	-	ANGLES	±	-	PRODUCT SPEC APPLICATION SPEC	CAGE CODE 00779	DRAWING NO 1663679
0 PLC	±	-																				
1 PLC	±	-																				
2 PLC	±	-																				
3 PLC	±	.005 [0.13]																				
4 PLC	±	-																				
ANGLES	±	-																				
MATERIAL SEE TABLE	FINISH SEE TABLE	WEIGHT -	SCALE 15:1	SHEET 1 of 1																		
CUSTOMER DRAWING		RESTRICTED TO -		REV A																		