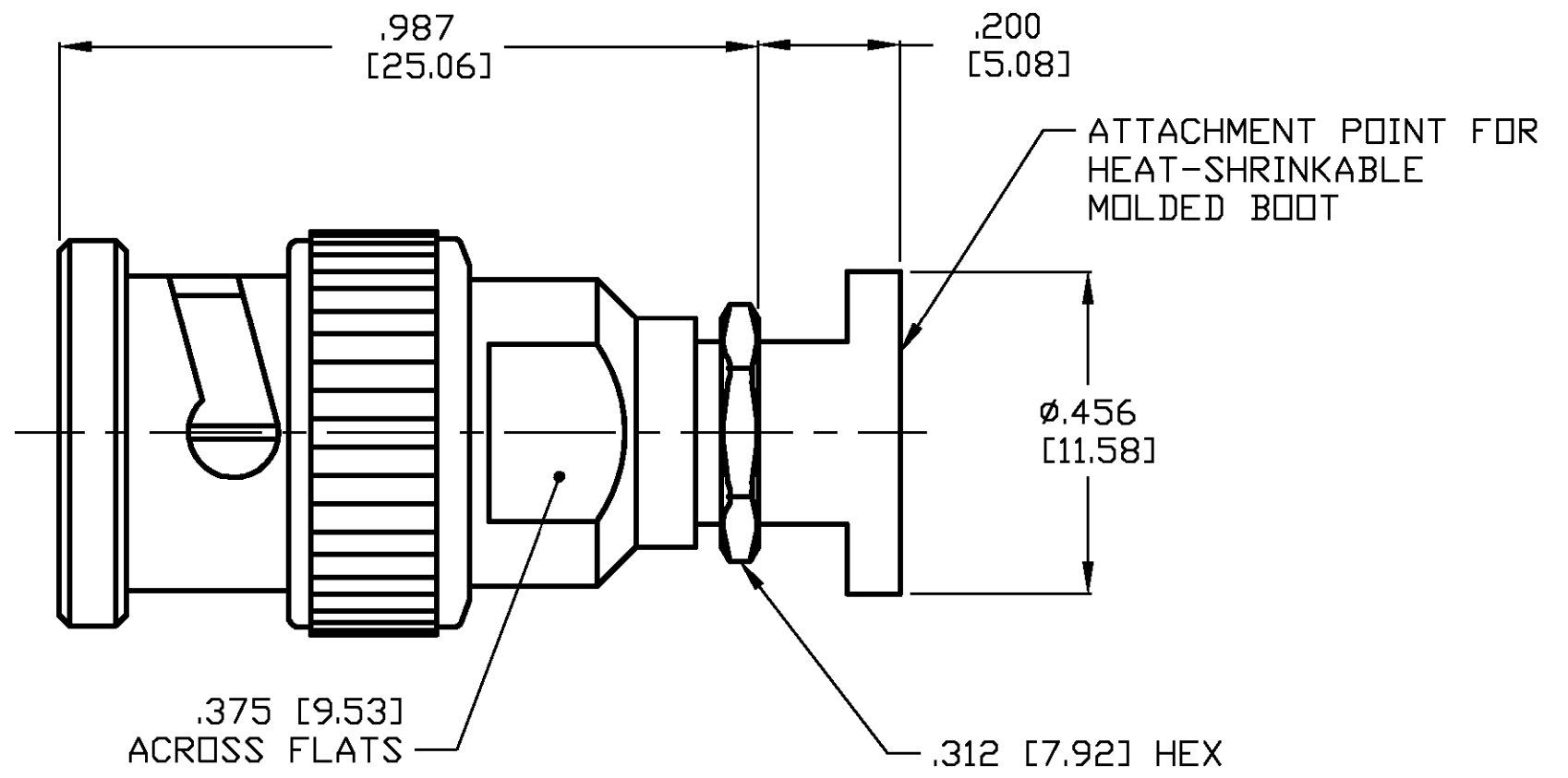


THIS DRAWING IS UNPUBLISHED. RELEASED FOR PUBLICATION N/A .N/A .
 © COPYRIGHT N/A BY TYCO ELECTRONICS CORPORATION. ALL RIGHTS RESERVED.

LOC	DIST	REVISIONS			
P	LTR	DESCRIPTION	DATE	DWN	APVD
		0	PROPOSAL DRAWING	10-02	CT RG

COMPONENT	MATERIAL	FINISH
CLAMP NUT HOUSING SLEEVE	STAINLESS STEEL PER ASTM-A-484 OR ASTM-A-582 TYPE 304	PASSIVATED PER ASTM-A-380
DIELECTRIC	FEP FLUOROPOLYMER PER ASTM-D2116-95	-
CENTER CONTACT	BRASS PER ASTM-B-16 1/2 HARD	GOLD PLATED PER ASTM-B-488
COLLAR	STAINLESS STEEL PER ASTM-A-484 OR ASTM-A-582 TYPE 304	PASSIVATED PER ASTM-A-380
SPRING WASHER	BERYLLIUM COPPER PER ASTM-B-194 ALLOY C17200, CONDITION H	NICKEL PLATE PER QQ-N-290
SPLIT WASHER	BRASS PER ASTM-B-16	NICKEL PLATE PER QQ-N-290
GASKET	EPDM	-



1. CAPTURED CENTER CONTACT.
2. CABLE: RAYCHEM 5019J3922

PRELIMINARY- NOT RELEASED FOR PRODUCTION

1663165-1
PART NO.

THIS DRAWING IS A CONTROLLED DOCUMENT.		DWN C.C.THOMAS 07OCT2002	Tyco Electronics Corporation Harrisburg, PA 17105	
DIMENSIONS: INCHES [mm]		CHK R.GROSS 10-7-02	NAME	
		APVD R.GROSS 10-7-02	BNC STRAIGHT CABLE PLUG, CLAMP ATTACHMENT	
TOLERANCES UNLESS OTHERWISE SPECIFIED:		PRODUCT SPEC	SIZE	CAGE CODE
0 PLC ± -	1 PLC ± -	APPLICATION SPEC	A3	00779
2 PLC ± -	3 PLC ± .005 [0.13]	WEIGHT	DRAWING NO	RESTRICTED TO
4 PLC ± -	ANGLES ± -		C-1663165	
MATERIAL	FINISH	CUSTOMER DRAWING		SCALE 5:1
				SHEET 1 OF 1
				REV 0