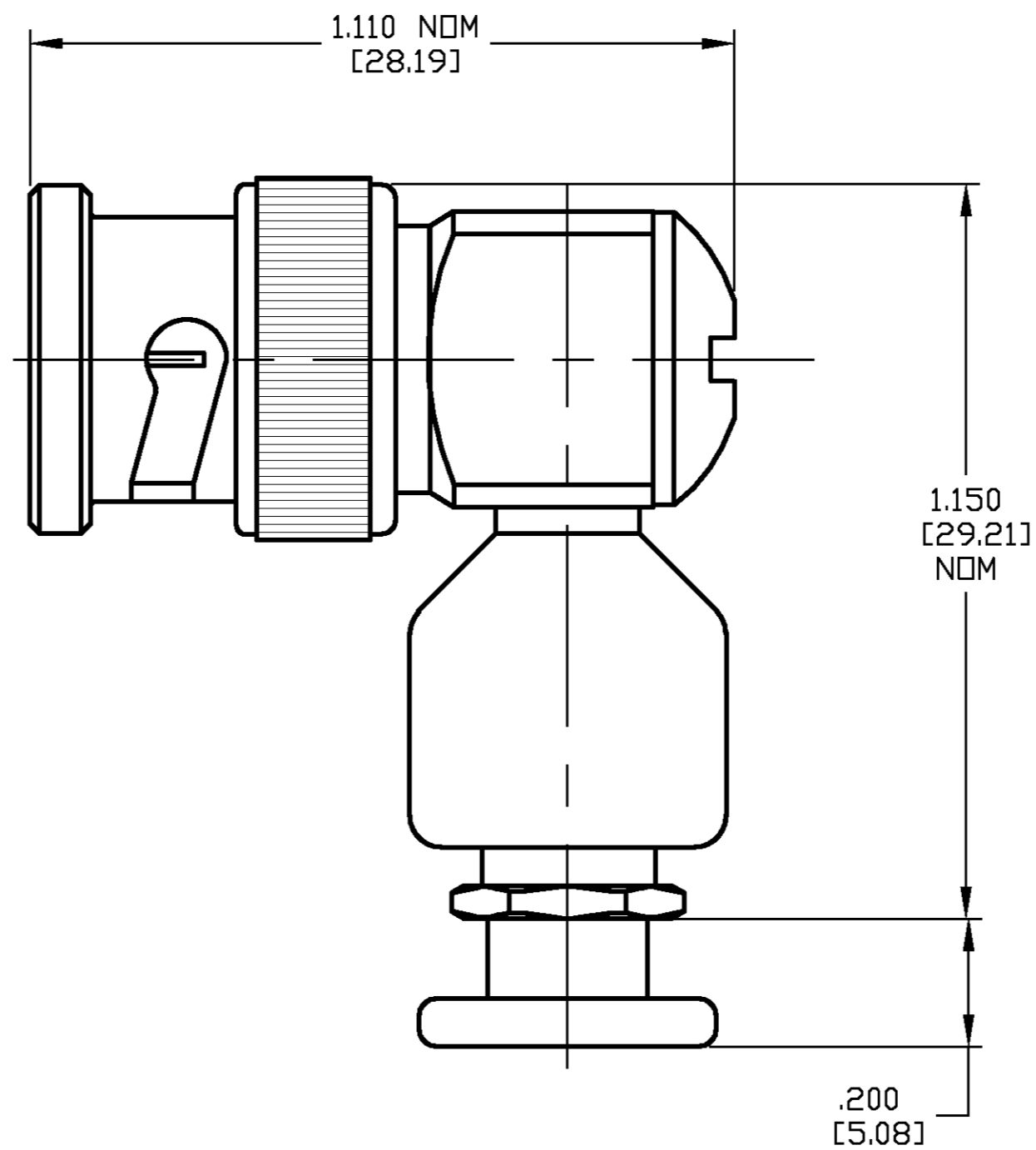


THIS DRAWING IS UNPUBLISHED. RELEASED FOR PUBLICATION N/A, N/A.
 © COPYRIGHT N/A BY TYCO ELECTRONICS CORPORATION. ALL RIGHTS RESERVED.

LOC	DIST	REVISIONS					
		P	LTR	DESCRIPTION	DATE	DWN	APVD
DF	X0		0	PROPOSAL DRAWING	10-02	CT	DH

COMPONENT	MATERIAL	FINISH
CLAMP NUT HOUSING SLEEVE	STAINLESS STEEL PER ASTM-A-484 OR ASTM-A-582 TYPE 304	PASSIVATED PER ASTM-A-380
DIELECTRIC	FEP FLUOROPOLYMER PER ASTM-D-2116-95	-
CENTER CONTACT	BRASS PER ASTM-B-16 1/2 HARD	GOLD PLATED PER ASTM-B-488
COLLAR	STAINLESS STEEL PER ASTM-A-484 OR ASTM-A-582 TYPE 304	PASSIVATED PER ASTM-A-380
SPRING WASHER	BERYLLIUM COPPER PER ASTM-B-194 ALLOY C17200, CONDITION H	NICKEL PLATE PER QQ-N-290
GASKET	EPDM	-
SPLIT WASHER	BRASS PER ASTM-B-16	NICKEL PLATE PER QQ-N-290



1. CAPTURED CENTER CONTACT.
2. CABLE: RAYCHEM 5U19J3922

PRELIMINARY- NOT RELEASED FOR PRODUCTION

1663149-1
PART NO.

THIS DRAWING IS A CONTROLLED DOCUMENT.		DWN C.C.THOMAS 10-16-02	Tyco Electronics Corporation Harrisburg, Pa 17105-3608	
DIMENSIONS: INCHES [mm]		GHK D.HOFFMAN 10-17-02	NAME D.HOFFMAN	
TOLERANCES UNLESS OTHERWISE SPECIFIED: 0 PLC ± - 1 PLC ± - 2 PLC ± - 3 PLC ± .005 [0.13] 4 PLC ± - ANGLES ± -		APVD D.HOFFMAN 10-17-02	PRODUCT SPEC APPLICATION SPEC	
MATERIAL SEE TABLE	FINISH SEE TABLE	WEIGHT -	SIZE A2	CAGE CODE 00779
		DRAWING NO 1663149	RESTRICTED TO -	
CUSTOMER DRAWING		SCALE 4:1	SHEET 1	OF 1
		REV 0		