

4

3

2

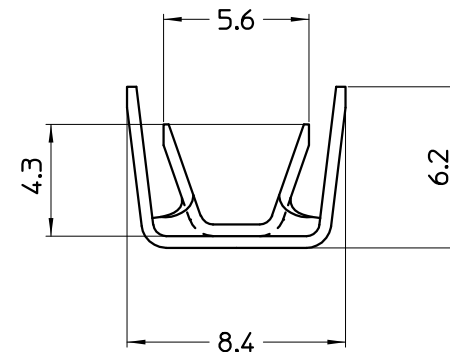
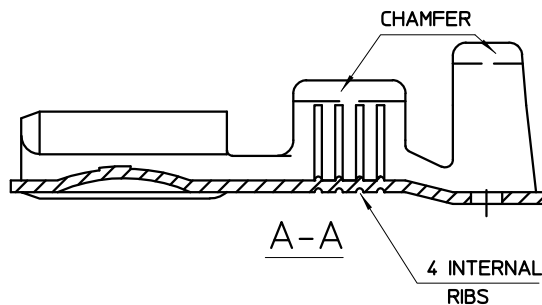
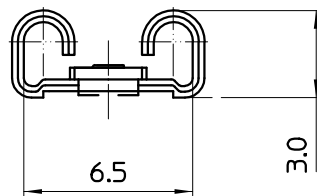
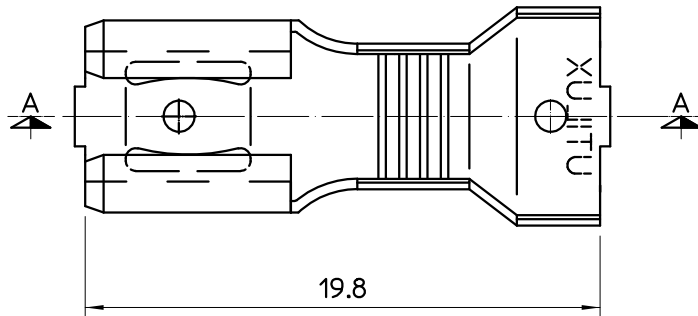
1

THIS DRAWING IS UNPUBLISHED. RELEASED FOR PUBLICATION
 COPYRIGHT BY TYCO ELECTRONICS CORPORATION. ALL RIGHTS RESERVED.

LOC		DIST		REVISIONS			
P	LTR	DESCRIPTION		DATE	DWN	APVD	
U	-						

NOTES:

- 1. WIRE RANGE
 CONDUCTOR: 2 x 0.75mm² - 2x 1.5mm²
 INSULATION DIA: 2.4mm - 3.2mm
- 2. FOR CRIMPING DETAILS REFER
 UTILUX CRIMP CHART No. H1973



NICKEL SILVER	RECEPTACLE H1973B	1-1627058-4
BRASS PRE-TIN	RECEPTACLE H1973ET	1-1627058-3
BRASS	RECEPTACLE H1973	1-1627058-1
MATERIAL	DESCRIPTION	PART No.

THIS INFORMATION IS CONFIDENTIAL AND PROPRIETARY TO TYCO ELECTRONICS CORPORATION. IT IS NOT TO BE DISCLOSED TO ANYONE OTHER THAN TYCO ELECTRONICS PERSONNEL WITHOUT WRITTEN AUTHORIZATION FROM TYCO ELECTRONICS CORPORATION, MEMPHIS, TENNESSEE, USA.

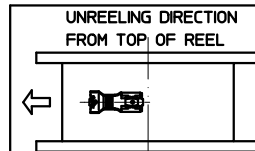
THIS DRAWING IS A CONTROLLED DOCUMENT.

ALL DIMENSIONS IN mm:

TOLERANCES UNLESS OTHERWISE SPECIFIED:	
DIMENSION (mm)	TOLERANCE(+/-mm)
LESS THAN 10	0.4
OVER 10 TO 30	0.5
OVER 30 TO 80	0.7
OVER 80 TO 250	1.0
ANGLES	±3°

MATERIAL

FINISH



DWN: W.RIEDE 29.10.04

CHK: H.THAI 29.10.04

APVD: W.RIEDE 29.10.04

PRODUCT SPEC:

APPLICATION SPEC:

WEIGHT:

tyco Tyco Electronics Corporation
Electronics AUSTRALIA

NAME: RECEPTACLE, Q.C.6.3

SIZE	CAGE CODE	DRAWING NO	RESTRICTED TO
A3		©-1627058	-

CUSTOMER DRAWING

SCALE 5:1 SHEET 1 OF 1 REV 0