

4

3

2

1

THIS DRAWING IS UNPUBLISHED.

RELEASED FOR PUBLICATION

© COPYRIGHT - BY TYCO ELECTRONICS CORPORATION. ALL RIGHTS RESERVED.

LOC

DIST

REVISIONS

U

-

P

LTR

DESCRIPTION

DATE

DWN

APVD

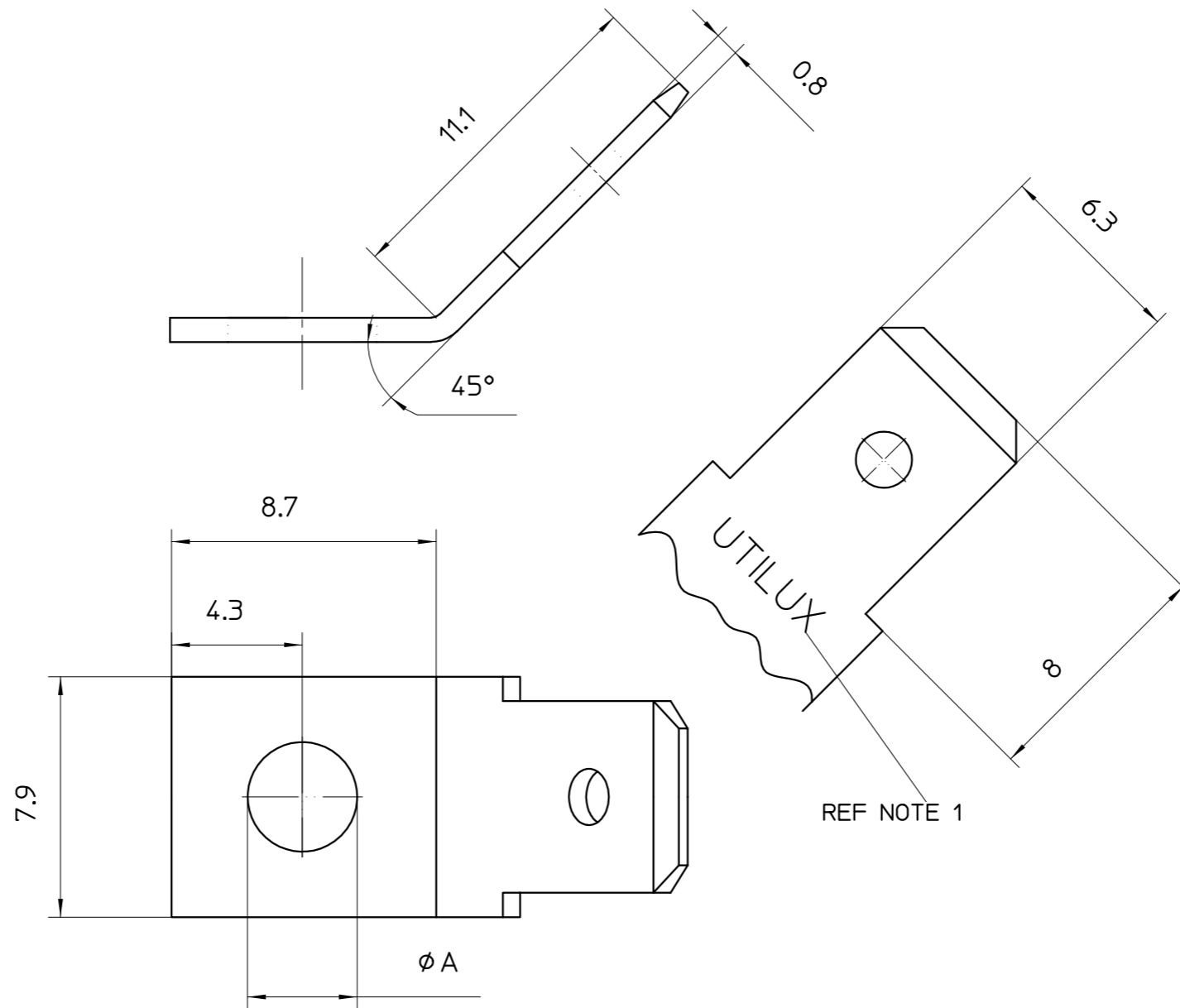
A

REDRAWN - WAS UTX DRG No 01.01168.01

09 SEP 08

V.M.

W.R.



NOTES:

- 1. 'UTILUX' OR 'AMP' LOGO STAMPED AS REQUIRED."

5000	Ø4.9	70/30 BRASS C26000	TAB, QC 6.3 (H11680)	1-1627021-2
150	Ø5.3	70/30 BRASS C26000	TAB, QC 6.3 (H1168E)	1-1627021-1
150	Ø4.9	70/30 BRASS C26000	TAB, QC 6.3 (H1168)	1-1627021-0
PACK SIZE	DIA 'A' (mm)	MATERIAL DESC.	DESCRIPTION (UTX P/No.)	PART No.

THIS DRAWING IS A CONTROLLED DOCUMENT.		DWN: V.MEDOVIKOV 09 SEP 08	Kingsgrove AUSTRALIA	
ALL DIMENSIONS IN mm:		CHK: W.RIEDE 09 SEP 08		
TOLERANCES UNLESS OTHERWISE SPECIFIED: DIMENSION (mm) TOLERANCE(+mm) LESS THAN 10 0.4 OVER 10 TO 30 0.5 OVER 30 TO 80 0.7 OVER 80 TO 250 1.0 ANGLES ±2°		APVD: W.RIEDE 09 SEP 08	NAME: TAB, QC 6.3	
		PRODUCT SPEC: -	DRAWING NO: © 1627021	
MATERIAL: REF BLOCK		FINISH: NATURAL	APPLICATION SPEC: -	RESTRICTED TO: -
		WEIGHT: -	SIZE: A3	CAGE CODE: -
CUSTOMER DRAWING			SCALE: 5:1	SHEET: 1 OF 1
			REV: A	

THIS INFORMATION IS CONFIDENTIAL AND PROPRIETARY TO TYCO ELECTRONICS CORPORATION AND ITS WORLDWIDE SUBSIDIARIES AND AFFILIATES. IT MAY NOT BE DISCLOSED TO ANYONE OTHER THAN TYCO ELECTRONICS PERSONNEL WITHOUT WRITTEN AUTHORIZATION FROM TYCO ELECTRONICS CORPORATION, HARRISBURG, PENNSYLVANIA, USA.