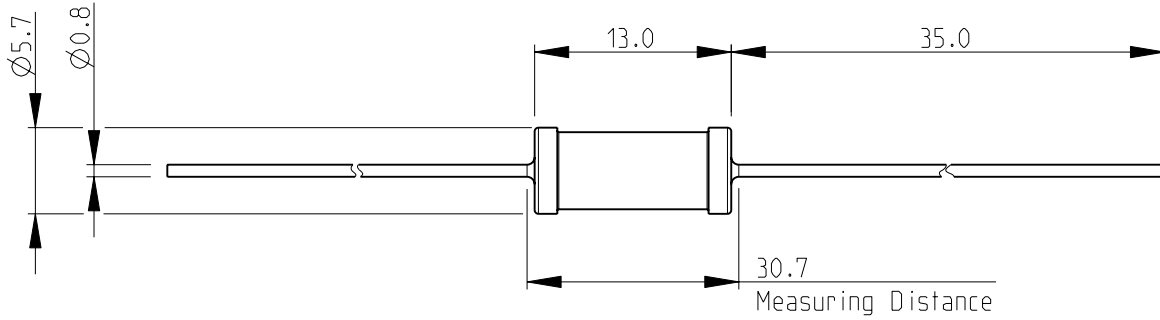
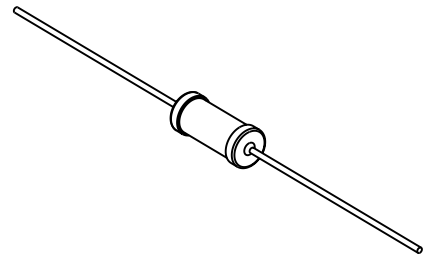


| | | | | | | | |
|-----|------|-----------|-----|-------------|-----------|-----|------|
| LOC | DIST | REVISIONS | | | | | |
| E | B | P | LTR | DESCRIPTION | DATE | DWN | APVD |
| | | | BA | NEW RELEASE | 16-Sep-08 | SM | St.P |

FOR FURTHER INFORMATION SEE DATA SHEET FOR
C SERIES-HIGH POWER RESISTORS



RoHS Compliant



SCALE 1:1

2008

RELEASED FOR PUBLICATION

THIS DRAWING IS UNPUBLISHED.

BY TYCO ELECTRONICS CORPORATION. ALL RIGHTS RESERVED.
COPYRIGHT 2008

| | | | | | | | |
|--|---------------|------------------|--------------|--|-------|-----------|------------|
| DIMENSIONS: mm | DWN | SUBHASH.M | 16-Sep-08 | MATERIAL | - | FINISH | - |
| | CHK | PRAKASH.S | 16-Sep-08 | Tyco Electronics Tyco Electronics Corporation Dorcan, Swindon, SN3 5HH | | | |
| TOLERANCES UNLESS OTHERWISE SPECIFIED: | APVD | STEPHEN.P | 16-Sep-08 | | | | |
| | 0 PLC | ± 0.2 | PRODUCT SPEC | - | SIZE | CAGE CODE | DRAWING NO |
| 1 PLC | ± 0.1 | APPLICATION SPEC | - | A 4 | 00779 | C-1623771 | - |
| 2 PLC | \pm | WEIGHT | - | CUSTOMER DRAWING | | | |
| 3 PLC | \pm | | | SCALE | 2:1 | SHEET | 1 OF 1 |
| 4 PLC | \pm | | | | | | REV |
| ANGLES | $\pm 5^\circ$ | | | | | | BA |