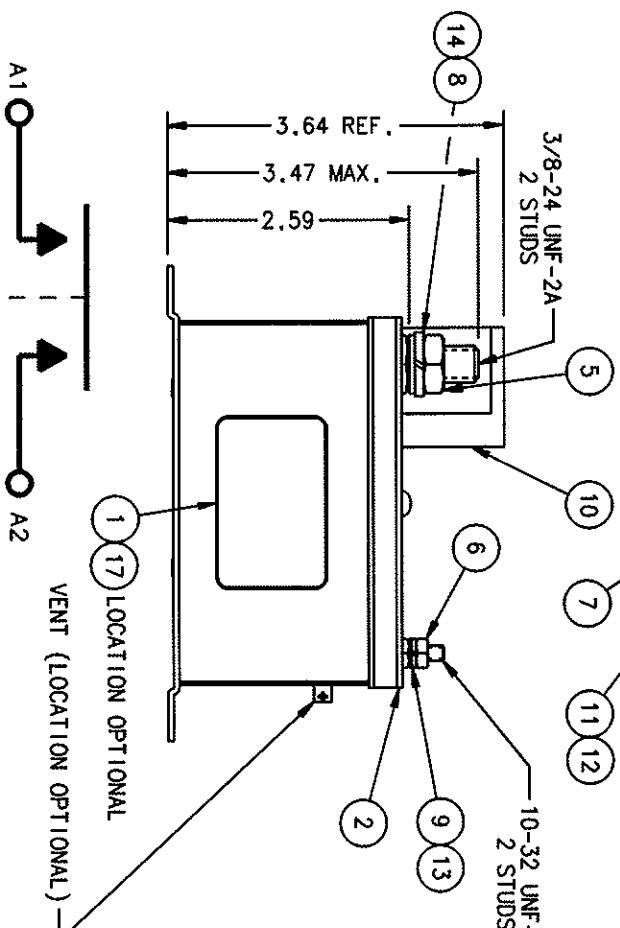
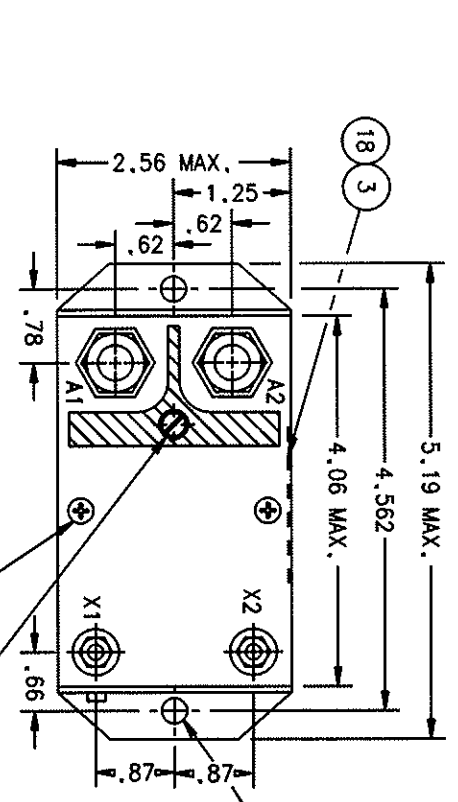


FAA-PMA

REV.	DESCRIPTION	DATE	APPROVED
U	44051 ITEM 8 WAS 51807-120	01/02/08	CC
V	46167 REMOVED *AMP CALLOUTS FROM HARDWARE	01/11/16	CC



- NOTES:
- THIS UNIT MEETS THE MATERIAL & WORKMANSHIP REQUIREMENTS OF MIL-R-6106.
  - MOUNTING SURFACE SHALL PROVIDE ELECTRICAL GROUND.
  - FAA/PMA PLATE (AND OVERLAY) NOT REQUIRED ON UNITS SUPPLIED TO ORIGINAL EQUIPMENT MANUFACTURERS.

CONSTRUCTION  
MAIN CONTACTS  
CONFIGURATION  
VOLTAGE (NOMINAL)  
CURRENT:

GASKET SEALED (VENTED)  
SPST N.O.,  
28 VDC  
400 AMP  
1000 AMP FOR 30 SEC.  
1500 AMP INRUSH

COIL DATA  
DUTY CYCLE  
NOMINAL VOLTAGE  
PICKUP MAX.  
PULL THROUGH  
DROPOUT VOLTAGE  
RESISTANCE

INTERMITTANT  
24 - 30 VDC  
12 VDC  
7.5 VDC MAX. AT 25°C  
5 - 5V  
14 OHM ± 20% AT 25°C

ENVIRONMENTAL DATA  
AMBIENT TEMP  
LIFE ELECTRICAL  
LIFE MECHANICAL  
WEIGHT MAX.

-55°C TO +71°C  
50,000 CYCLES MIN.  
100,000 CYCLES  
2 LBS. 2 OZ.

QTY	PART OR IDENTIFYING NO	DESCRIPTION	MATERIAL OR NOTE
18	1	39529-024 OVERLAY, FAA/PMA LABEL	
17	1	39529-001 OVERLAY, NAME PLATE	
16			
15			
14	2	51704-010 WASHER- 5/8 X 25/64 X .032 FLAT	S STEEL
13	2	51702-844 WASHER- 3/8 X 15/64 X .032 FLAT	BRASS
12	1	51806-011 WASHER- LOCK- NO. 6 SPLIT	BRONZE
11	1	51206-751 SCREW- 6-32 X 1 1/8 SQ. HD.	
10	1	33603-001 SHIELD- TERMINAL	
9	2	51810-054 WASHER- LOCK- 10 X .062 X .047 SPLIT	BRONZE
8	2	51807-290 WASHER- LOCK- 3/8 X .678 X .070 SPLIT	S STEEL
7	2	51200-020 SCREW- #4 X 1/4 S.S. SHEETMETAL	LITE
6	2	50410-084 NUT- 10-32 X 3/8 X 1/8 HEX	BRASS
5	2	50407-164 NUT- 3/8-24 X 5/8 X 7/32 HEX	BRASS
4	1	39532-010 CONTACTOR ASSEMBLY - PRIMARY	
3	1	58400-005 PLATE - FAA/PMA	
2	1	10403-008 PLATE BASE COVER	
1	1	16043-007 PLATE - NAME	

UNLESS OTHERWISE SPECIFIED DIMENSIONS ARE IN INCHES TOLERANCES ON		Cil Technologies®	
2 PL DEC.±.5 PL DEC. ANGLES	± .06	± .01	± .1*
DIR BY	CSC	01/11/27	
CHK BY	IA	01/11/27	
ENGR	IA	01/11/27	
MFG	IA	01/11/27	
RELEASE			
CONTR NO.			
GOVT APPRVL			
SIZE	CODE IDENT	DWG NO.	
C	74063	A-703CD	
SCALE	NONE		
START CONTACTOR		400 AMP, 28 VOLTS	
BOEING OMM		093	