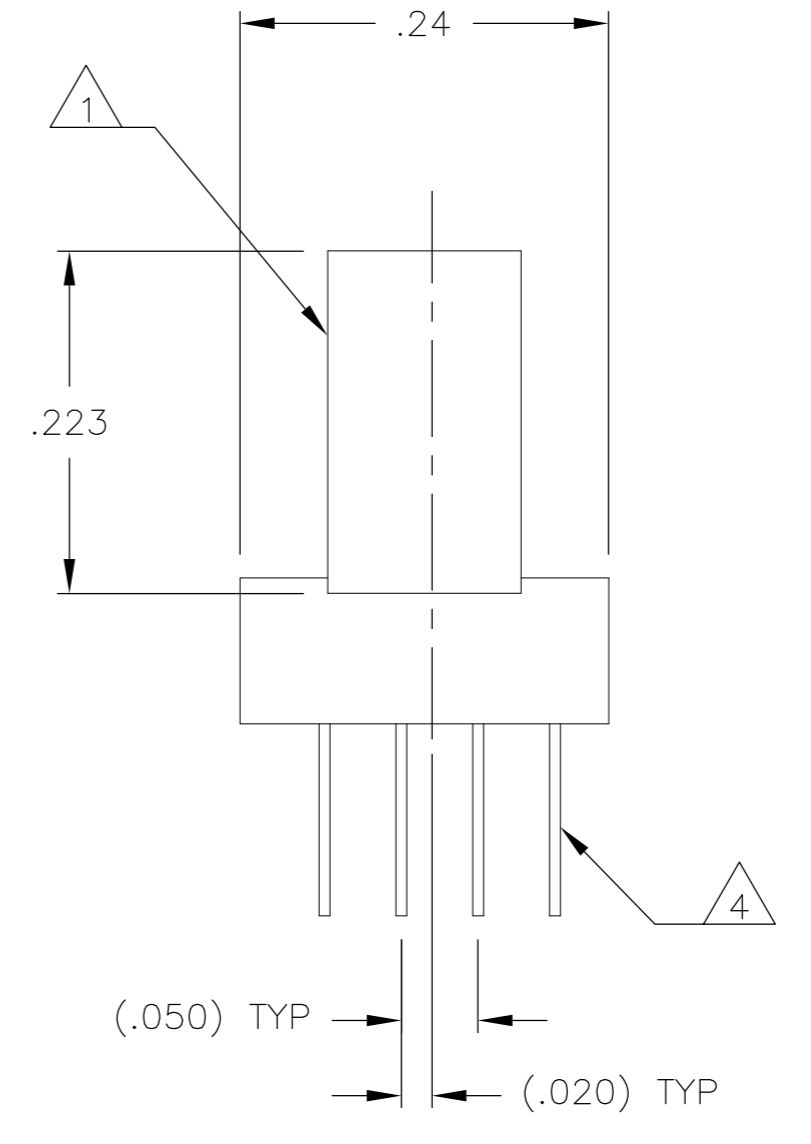
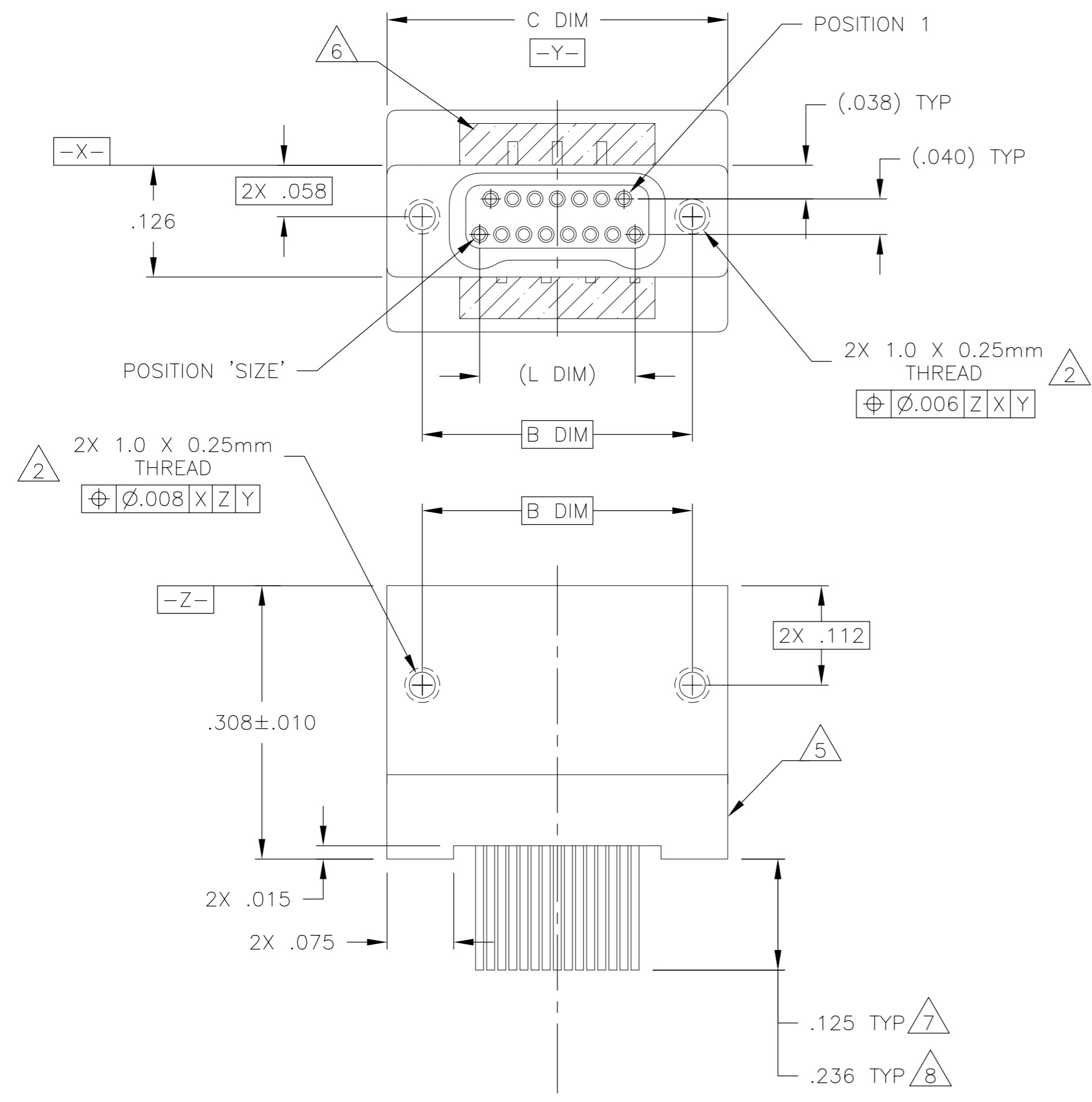


THIS DRAWING IS UNPUBLISHED. RELEASED FOR PUBLICATION
 © COPYRIGHT - By - ALL RIGHTS RESERVED.

LOC		DIST		REVISIONS			
P	LTR	DESCRIPTION	DATE	DWN	APVD		
	B2	UPDATE PER ECO-12-021131	3 DEC 12	CAS	MKS		



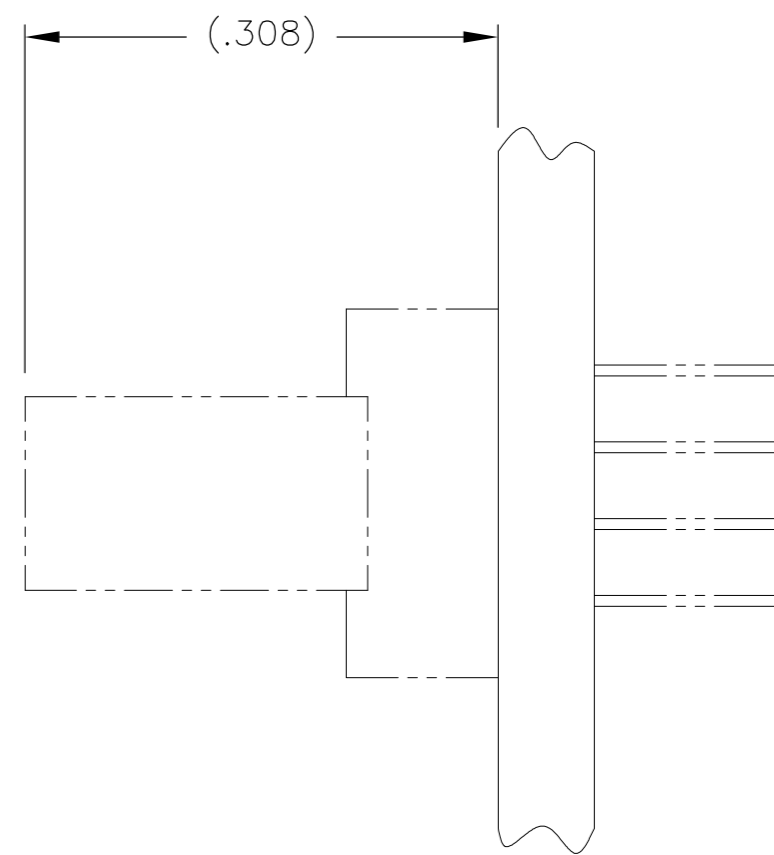
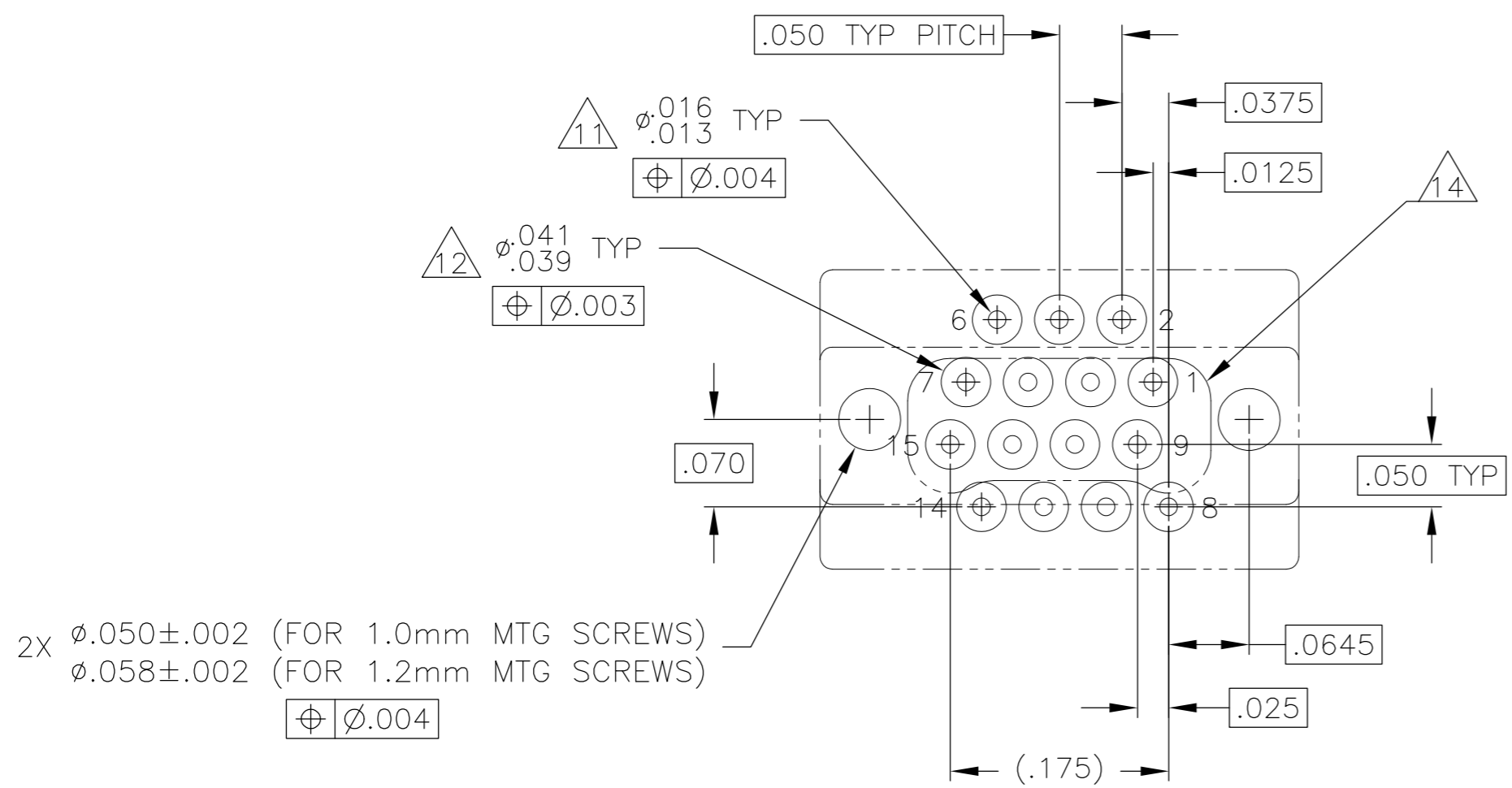
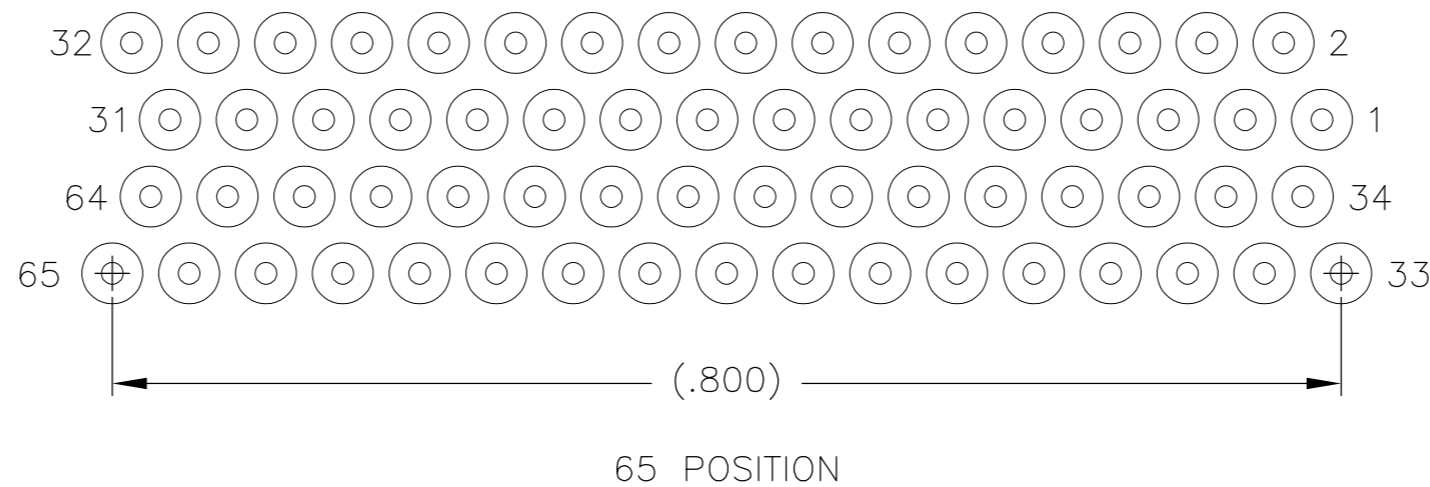
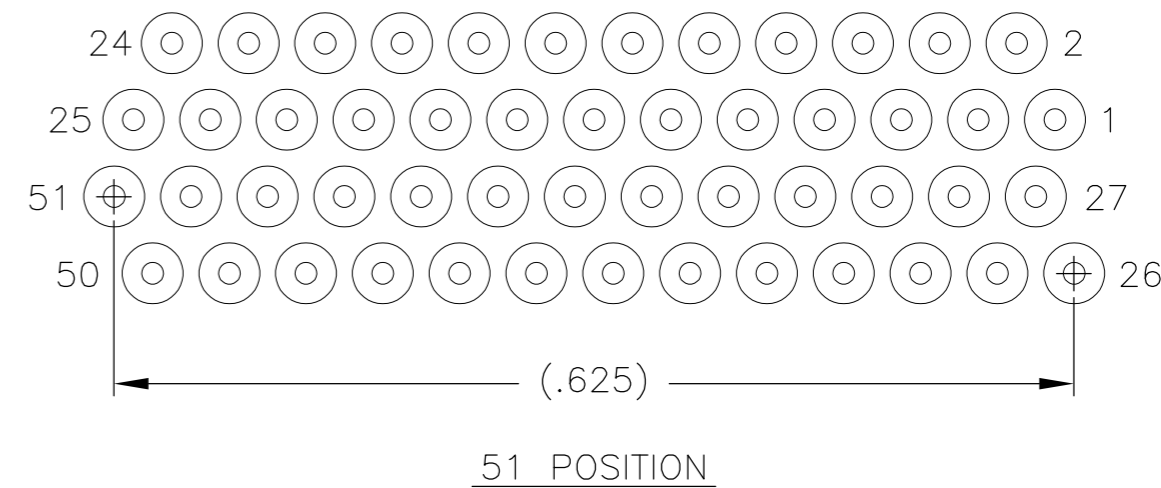
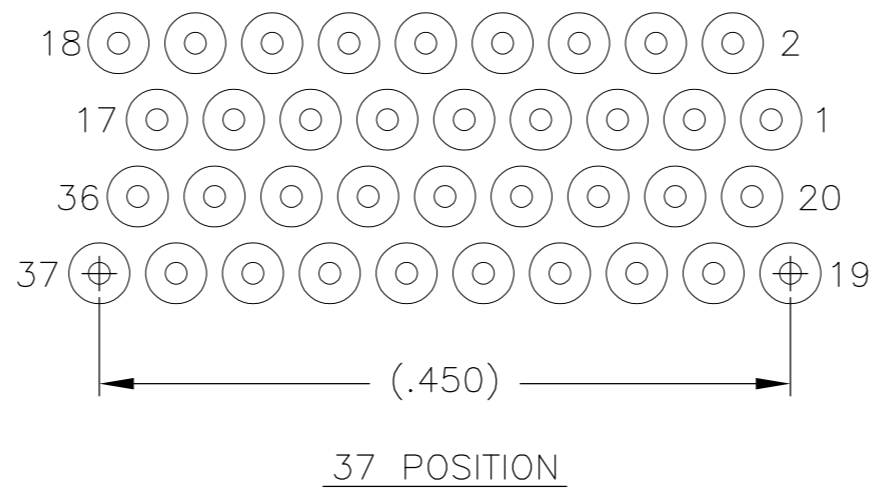
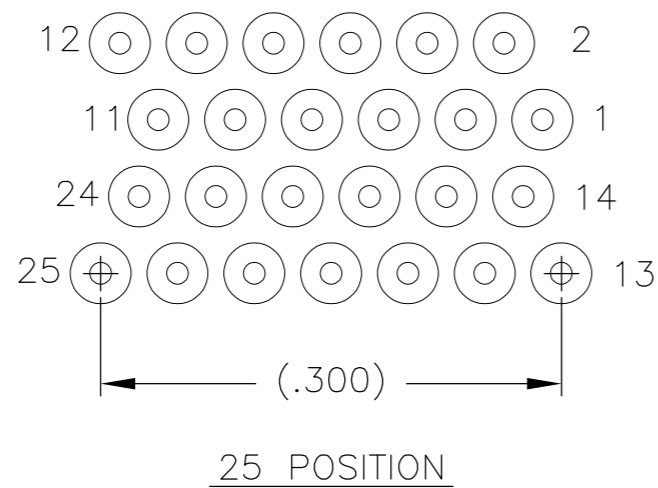
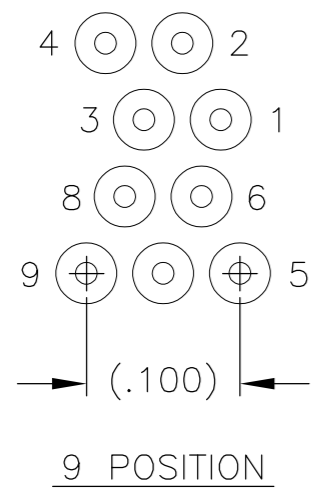
SIZE	B DIM	C DIM ±.0050	(L DIM)
09	.229	.3085	(.100)
15	.304	.3835	(.175)
25	.429	.5085	(.300)
37	.579	.6585	(.450)
51	.754	.8335	(.625)
65	.929	1.0085	(.800)

- 1 SHELL OPTIONS (TO BE SPECIFIED IN NANONICS PART NUMBER):
 METAL: 6061-T6 ALUMINUM, ELECTROLESS NICKEL PLATED PER SAE-AMS-C-26074 OR SAE-AMS-2404 (STANDARD) OR GOLD PLATED PER ASTM B488
 303 STAINLESS STEEL, PASSIVATED PER SAE-AMS-2700
 INSULATOR MATERIAL FOR ALL METAL SHELLS IS LIQUID CRYSTAL POLYMER (LCP) PER MIL-M-24519 OR PER ASTM D5138
 PLASTIC: LIQUID CRYSTAL POLYMER (LCP) PER MIL-M-24519 OR PER ASTM D5138
- 2 STANDARD 1.0 X 0.25mm MOUNTING AND JACKSCREW THREADS ARE SHOWN FOR REFERENCE ONLY AND MUST BE SPECIFIED IN THE NANONICS PART NUMBER WHEN REQUIRED. 1.2 X 0.25mm THREADS ALSO AVAILABLE.
- 3 MOUNTING HARDWARE IS AVAILABLE WITH THIS CONFIGURATION (NOT SHOWN). HARDWARE MUST BE SPECIFIED IN THE NANONICS PART NUMBER. CONSULT TE CONNECTIVITY FOR DETAILS.
- 4 LEAD MATERIAL: HH BRASS, GOLD PLATED PER ASTM B488
- 5 LEAD ORGANIZER MATERIAL IS LIQUID CRYSTAL POLYMER PER ASTM D5138
- 6 THROUGH HOLE LEADS ARE EPOXY ENCAPSULATED WITHIN THE LEAD ORGANIZER
- 7 NANONICS TERMINATION CODE: W51
- 8 NANONICS TERMINATION CODE: W52
- 9 THIS DRAWING PREVIOUSLY IDENTIFIED AS NANONICS N10138/259

THIS DRAWING IS A CONTROLLED DOCUMENT.		DWN C SCHOLL 26 SEP 05		
DIMENSIONS: INCHES		CHK M. STORRY 26 SEP 05		
TOLERANCES UNLESS OTHERWISE SPECIFIED:		APVD -	NAME	
0 PLC ± -		PRODUCT SPEC	RECEPTACLE ASSEMBLY, VERTICAL MOUNT, THROUGH HOLE, 2 TO 4 ROW, GOLD LEADS, .050 SPACING, PLASTIC OR METAL, ROHS COMPLIANT	
1 PLC ± -		APPLICATION SPEC	SIZE	RESTRICTED TO
2 PLC ± .010			A2	
3 PLC ± .005		WEIGHT	OPJN9	
4 PLC ± -		CUSTOMER DRAWING	C=1589941	
ANGLES ± 1°		SCALE	8:1	
FINISH		SHEET	1 of 2	
SEE NOTES		REV	B2	

THIS DRAWING IS UNPUBLISHED. RELEASED FOR PUBLICATION
 © COPYRIGHT - By - ALL RIGHTS RESERVED.

LOC		DIST		REVISIONS			
P	LTR	DESCRIPTION	DATE	DWN	APVD		
-	-	SEE SHEET 1	-	-	-		



- 10 POSITIONAL TOLERANCES FOR BASIC DIMENSIONED FEATURES ARE RELATIVE TO FIDUCIALS OR SOME SIMILAR DATUM REFERENCES DEFINED BY PCB DESIGNER.
- 11 PLATED THROUGH HOLES
- 12 SOLDER PADS
- 13 ALL THROUGH HOLE LAYOUTS ARE AS VIEWED FROM TOP OF PCB.
- 14 CONNECTOR ORIENTATION



THIS DRAWING IS A CONTROLLED DOCUMENT.		DWN C SCHOLL 26 SEP 05		
DIMENSIONS: INCHES		CHK M. STORRY 26 SEP 05		
TOLERANCES UNLESS OTHERWISE SPECIFIED:		APVD -	NAME	
0 PLC ± -		PRODUCT SPEC -	RECEPTACLE ASSEMBLY, VERTICAL MOUNT, THROUGH HOLE, 2 TO 4 ROW, GOLD LEADS, .050 SPACING, PLASTIC OR METAL, ROHS COMPLIANT	
1 PLC ± -		APPLICATION SPEC -	SIZE	RESTRICTED TO
2 PLC ± .010		WEIGHT -	A2	-
3 PLC ± .005		CUSTOMER DRAWING	CAGE CODE	DRAWING NO
4 PLC ± -		SCALE 8:1	OPJN9	C=1589941
ANGLES ± 1°		SHEET 2 of 2	REV B2	
FINISH SEE NOTES				