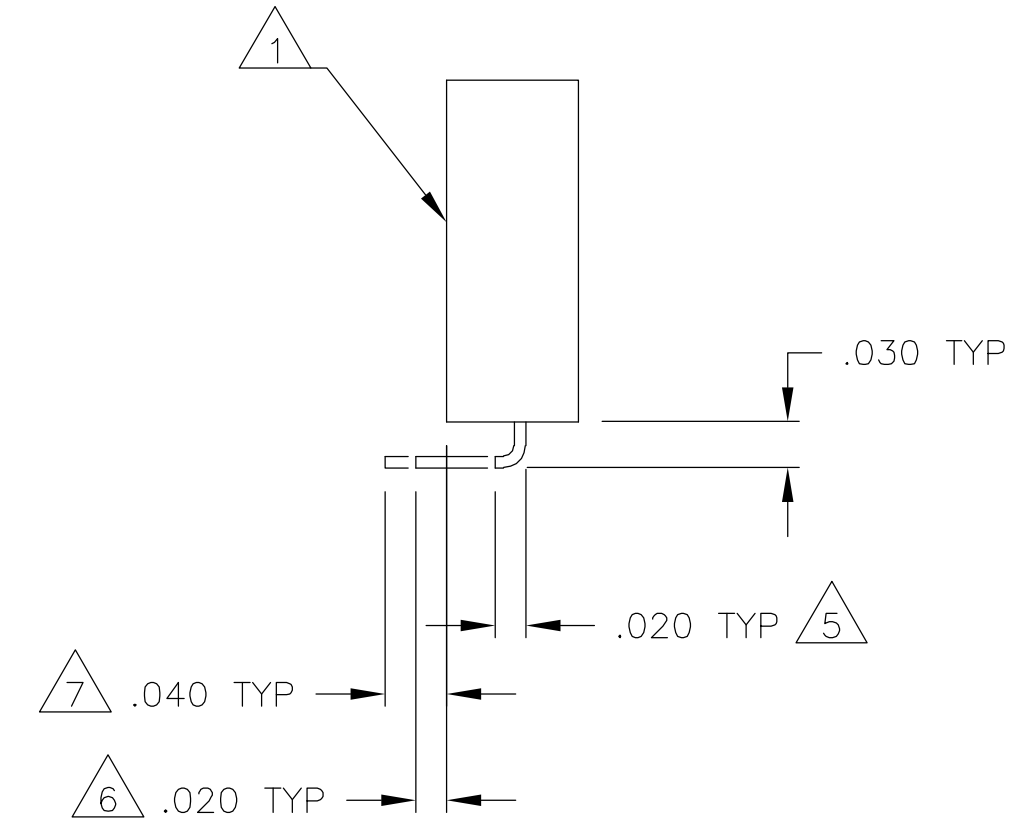
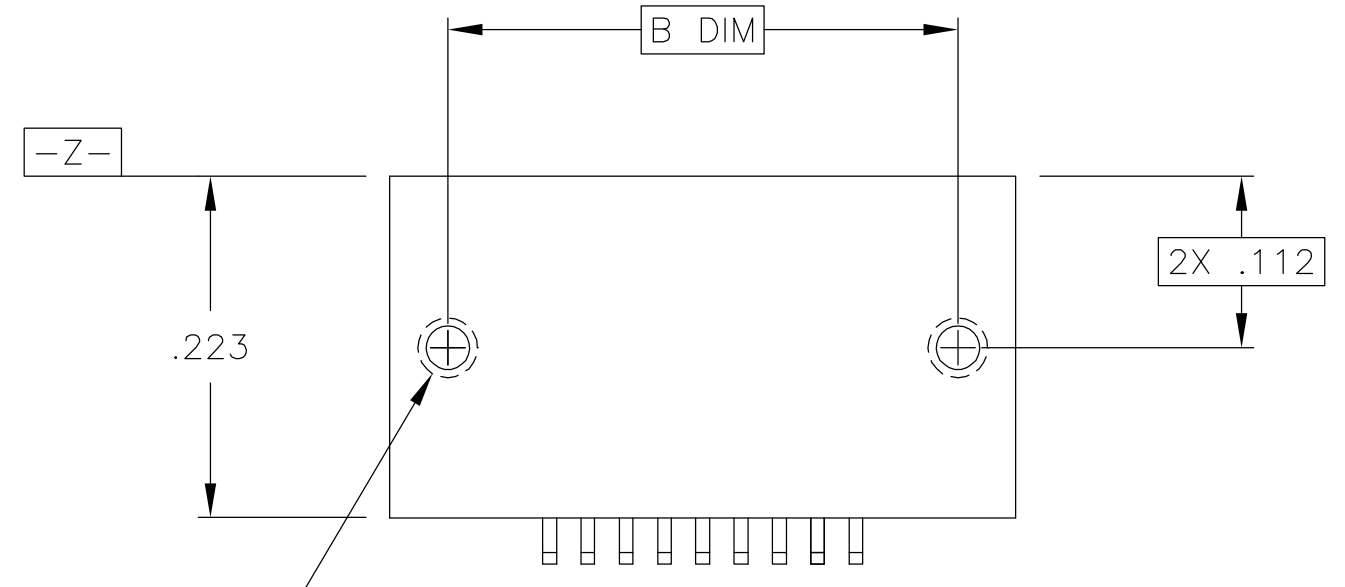
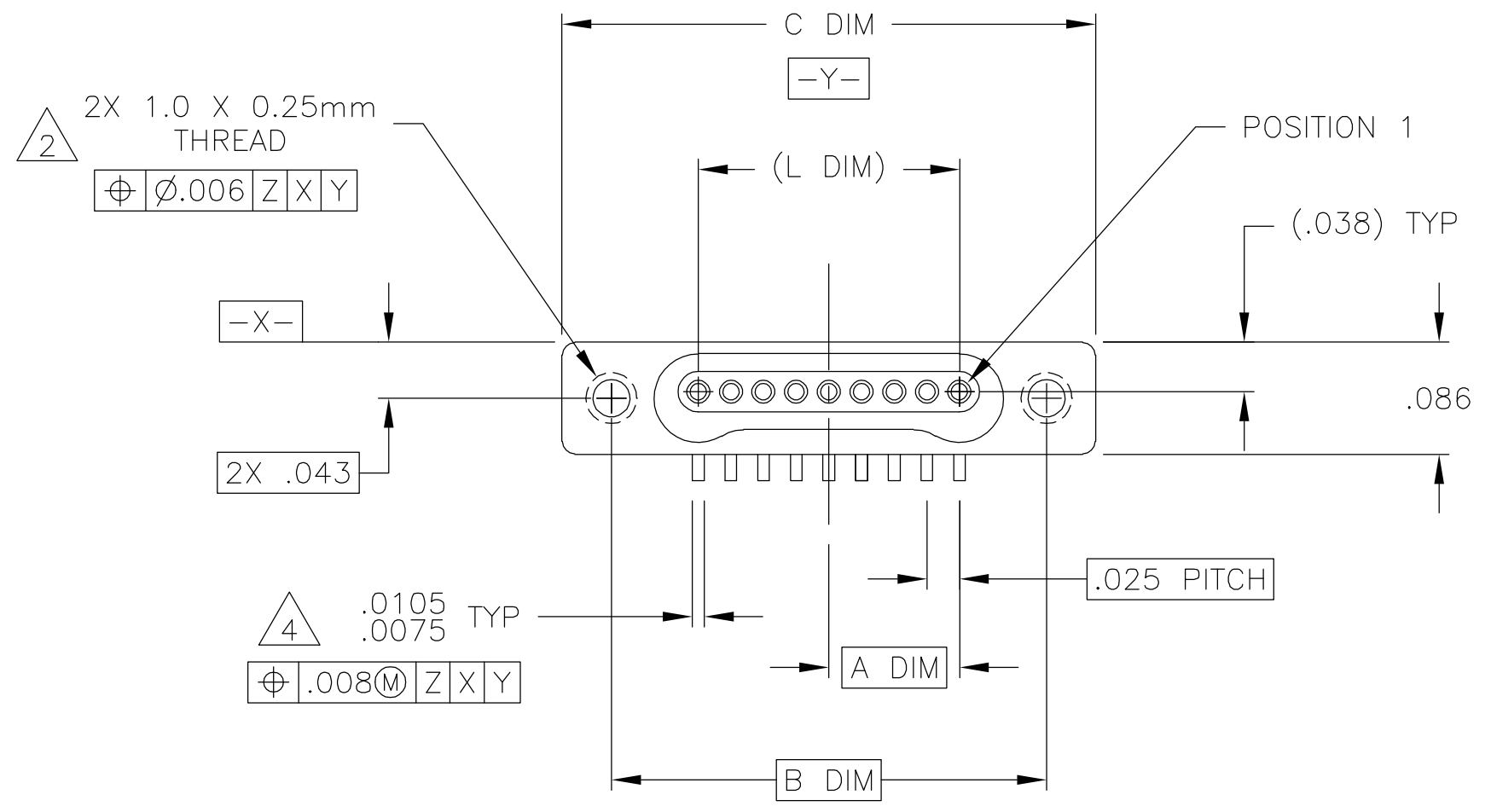


THIS DRAWING IS UNPUBLISHED. RELEASED FOR PUBLICATION  
 © COPYRIGHT BY TYCO ELECTRONICS CORPORATION. ALL RIGHTS RESERVED.

LOC		DIST		REVISIONS			
P	LTR	DESCRIPTION		DATE	DWN	APVD	
	A	INITIAL RELEASE		26 SEP 05	CAS	MKS	



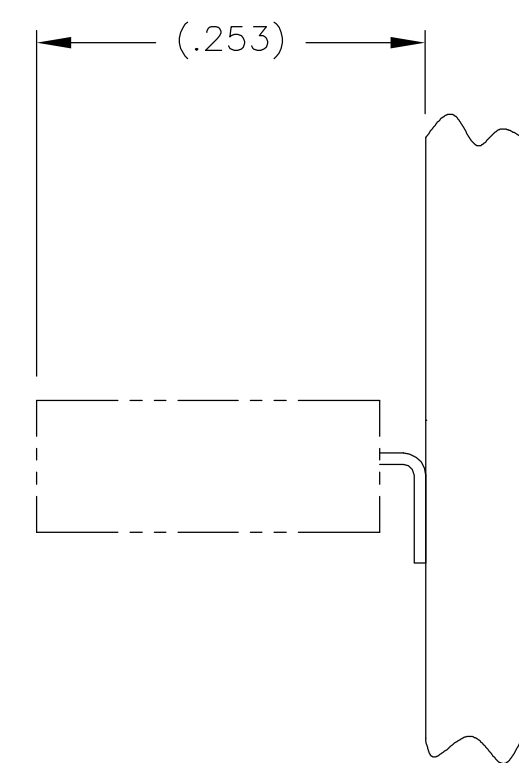
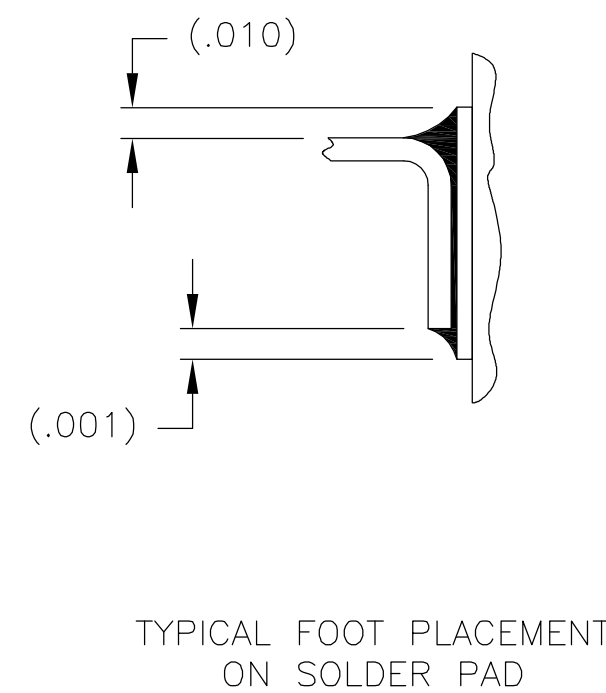
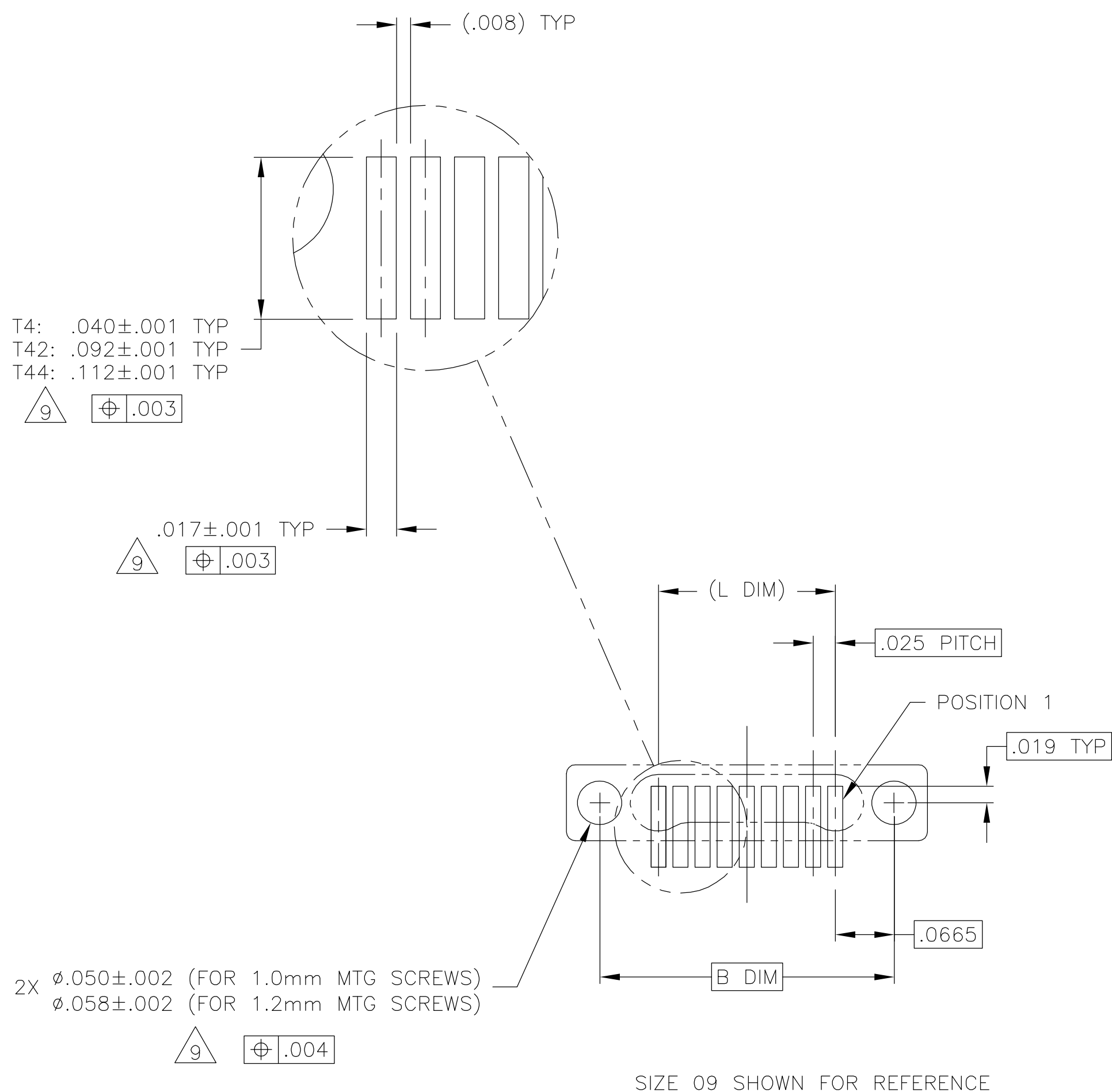
SIZE	A DIM	B DIM	C DIM ±.0050	(L DIM)
05	.050	.233	.3085	(.100)
09	.100	.333	.4085	(.200)
15	.175	.483	.5585	(.350)
25	.300	.733	.8085	(.600)
37	.450	1.033	1.1085	(.900)
51	.625	1.383	1.4585	(1.250)

- 1 SHELL OPTIONS (TO BE SPECIFIED IN NANONICS PART NUMBER):  
 METAL: 6061-T6 ALUMINUM, ELECTROLESS NICKEL PLATED PER SAE-AMS-C-26074 (STANDARD) OR GOLD PLATED PER ASTM B488  
 303 STAINLESS STEEL, PASSIVATED PER SAE-AMS-2700  
 INSULATOR MATERIAL FOR ALL METAL SHELLS IS LIQUID CRYSTAL POLYMER (LCP) PER MIL-M-24519 OR PER ASTM D5138  
 PLASTIC: LIQUID CRYSTAL POLYMER (LCP) PER MIL-M-24519 OR PER ASTM D5138
- 2 STANDARD 1.0 X 0.25mm MOUNTING AND JACKSCREW THREADS ARE SHOWN FOR REFERENCE ONLY AND MUST BE SPECIFIED IN THE NANONICS PART NUMBER WHEN REQUIRED. 1.2 X 0.25mm THREADS ALSO AVAILABLE.
- 3 MOUNTING HARDWARE IS AVAILABLE WITH THIS CONFIGURATION (NOT SHOWN). HARDWARE MUST BE SPECIFIED IN THE NANONICS PART NUMBER. CONSULT TYCO ELECTRONICS FOR DETAILS.
- 4 LEAD MATERIAL: BeCu, GOLD PLATED PER ASTM B488
- 5 NANONICS TERMINATION CODE: T4    6 NANONICS TERMINATION CODE: T42    7 NANONICS TERMINATION CODE: T44
- 8 THIS DRAWING PREVIOUSLY IDENTIFIED AS NANONICS N10138/134

THIS DRAWING IS A CONTROLLED DOCUMENT.		DWN C SCHOLL 26 SEP 05	Tyco Electronics Corporation Harrisburg, PA 17105-3608	
DIMENSIONS: INCHES		CHK M STORRY 26 SEP 05		
TOLERANCES UNLESS OTHERWISE SPECIFIED:		APVD -	NAME	
0 PLC ± - 1 PLC ± - 2 PLC ± .010 3 PLC ± .005 4 PLC ± - ANGLES ± 1°		PRODUCT SPEC -	RECEPTACLE ASSEMBLY, VERTICAL SURFACE MOUNT, SINGLE ROW DUALLOBE, PLASTIC OR METAL, GOLD LEADS, ROHS COMPLIANT	
MATERIAL SEE NOTES		FINISH SEE NOTES	APPLICATION SPEC -	RESTRICTED TO -
		WEIGHT -	SIZE A2	CAGE CODE OPJN9
		CUSTOMER DRAWING	DRAWING NO C=1589935	SCALE 8:1
			SHEET 1 of 2	REV A

THIS DRAWING IS UNPUBLISHED. RELEASED FOR PUBLICATION  
 © COPYRIGHT BY TYCO ELECTRONICS CORPORATION. ALL RIGHTS RESERVED.

LOC		DIST		REVISIONS			
P	LTR	DESCRIPTION	DATE	DWN	APVD		
-	-	SEE SHEET 1	-	-	-		



TYPICAL PCB LAYOUT

9 POSITIONAL TOLERANCES FOR BASIC DIMENSIONED FEATURES ARE RELATIVE TO FIDUCIALS OR SOME SIMILAR DATUM REFERENCE DEFINED BY THE PCB DESIGNER.

THIS DRAWING IS A CONTROLLED DOCUMENT.		DWN 26 SEP 05 C SCHOLL	 Tyco Electronics Corporation Harrisburg, PA 17105-3608
DIMENSIONS: INCHES		CHK 26 SEP 05 M STORRY	
TOLERANCES UNLESS OTHERWISE SPECIFIED:		APVD -	NAME
0 PLC ± - 1 PLC ± - 2 PLC ± .010 3 PLC ± .005 4 PLC ± - ANGLES ± 1°		PRODUCT SPEC -	RECEPTACLE ASSEMBLY, VERTICAL SURFACE MOUNT, SINGLE ROW DUALLOBE, PLASTIC OR METAL, GOLD LEADS, ROHS COMPLIANT
MATERIAL SEE NOTES		APPLICATION SPEC -	SIZE A2
FINISH SEE NOTES		WEIGHT -	CAGE CODE OPJN9
		CUSTOMER DRAWING	DRAWING NO C=1589935
		SCALE 8:1	RESTRICTED TO -
		SHEET 2 of 2	REV A