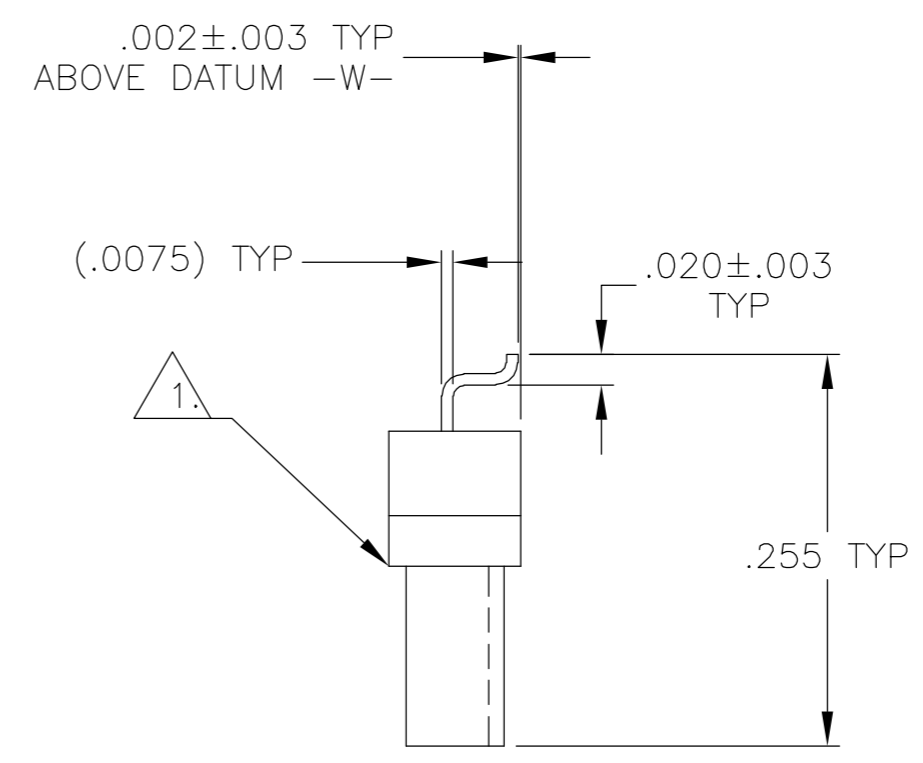
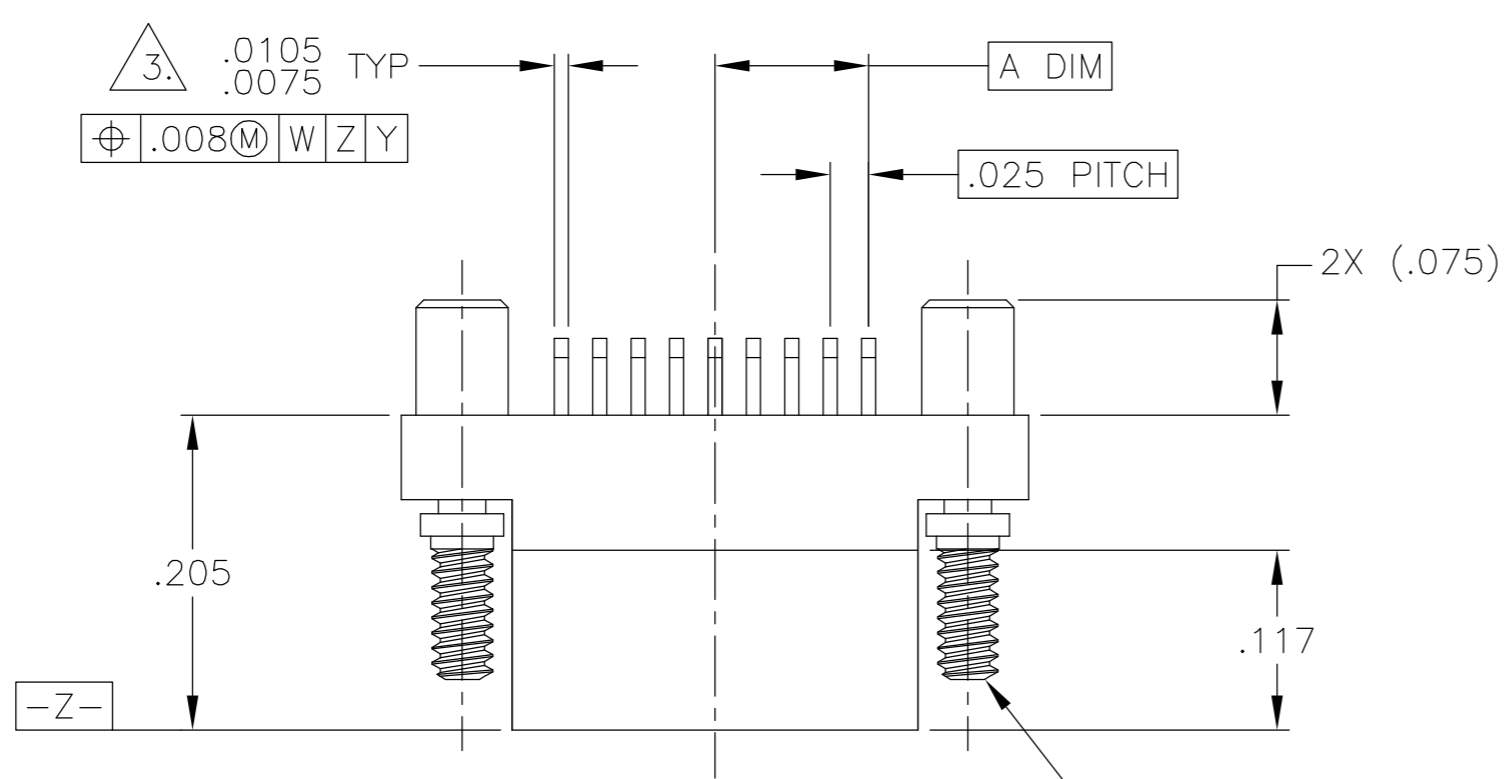


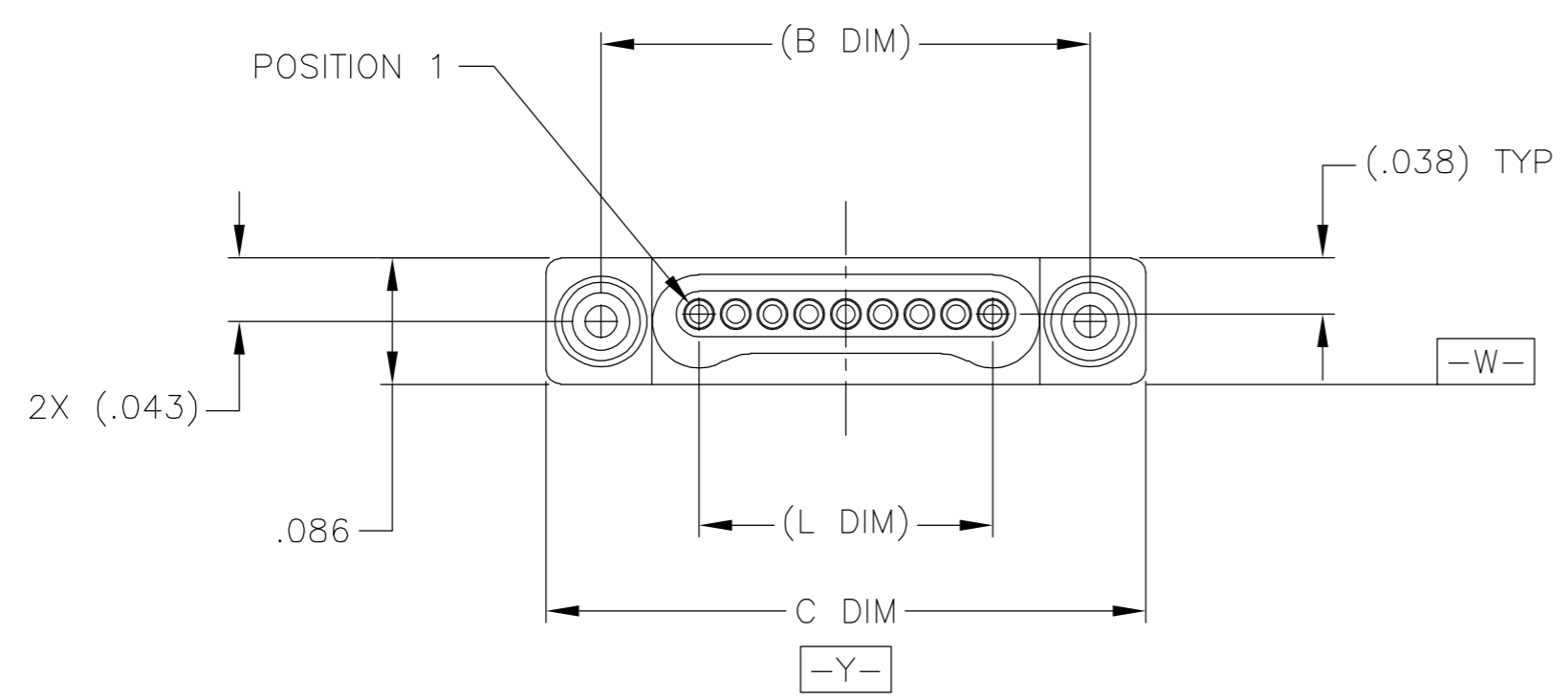
THIS DRAWING IS UNPUBLISHED. RELEASED FOR PUBLICATION
 © COPYRIGHT BY TYCO ELECTRONICS CORPORATION. ALL RIGHTS RESERVED.

LOC		DIST		REVISIONS			
P	LTR	DESCRIPTION	DATE	DWN	APVD		
DF	DO						
	J	UPDATE PER 0H2Y-0164-04	05-12-04	JDM	MKS		



2X 1.00UNM (0.25mm PITCH) CAPTIVE JACKSCREW

JACKSCREW HEADS REMOVED FOR CLARITY



SIZE	A DIM	(B DIM)	C DIM ±.0050	(L DIM)
05	.050	(.233)	.3085	(.100)
09	.100	(.333)	.4085	(.200)
15	.175	(.483)	.5585	(.350)
25	.300	(.733)	.8085	(.600)
37	.450	(1.033)	1.1085	(.900)
51	.625	(1.383)	1.4585	(1.250)

1. SHELL OPTIONS (TO BE SPECIFIED IN NANONICS PART NUMBER):
 METAL: 6061-T6 ALUMINUM, ELECTROLESS NICKEL PLATED PER MIL-C-26074 (STANDARD) OR GOLD PLATED PER MIL-G-45204
 303 STAINLESS STEEL, PASSIVATED PER SAE-AMS-QQ-P-35
 INSULATOR MATERIAL FOR ALL METAL SHELLS IS LIQUID CRYSTAL POLYMER (LCP) PER MIL-M-24519 OR PER ASTM D5138
 PLASTIC: LIQUID CRYSTAL POLYMER (LCP) PER MIL-M-24519 OR PER ASTM D5138
2. STANDARD 1.00UNM CAPTIVE JACKSCREWS ARE SHOWN FOR REFERENCE ONLY AND MUST BE SPECIFIED IN THE NANONICS PART NUMBER WHEN REQUIRED. JACKSCREW MATERIAL IS 303 STAINLESS STEEL, PASSIVATED PER SAE-AMS-QQ-P-35, AND LUBED PER DOD-L-85645. RETAINING RING IS 17-4 STAINLESS STEEL, PASSIVATED PER SAE-AMS-QQ-P-35. JACKSCREWS HAVE A .9mm HEX SOCKET HEAD. 1.20UNM JACKSCREWS ALSO AVAILABLE.
3. SMT LEADS ARE BeCu, TIN LEAD PLATED 60/40 COMPOSITION PER SAE-AMS-P-81728
4. NANONICS TERMINATION CODE: B2
5. THIS DRAWING PREVIOUSLY IDENTIFIED AS NANONICS N10138/120

THIS DRAWING IS A CONTROLLED DOCUMENT.

DIMENSIONS: INCHES	TOLERANCES UNLESS OTHERWISE SPECIFIED:	DWN C. SCHOLL 04-19-01	Tyco Electronics Corporation Harrisburg, PA 17105
		CHK M. STORRY 04-20-01	
		APVD -	NAME
		PRODUCT SPEC	PLUG ASSEMBLY, HORIZONTAL SURFACE MOUNT, SINGLE ROW DUALLOBE, PLASTIC OR METAL
		APPLICATION SPEC	SIZE CAGE CODE DRAWING NO RESTRICTED TO
MATERIAL SEE NOTES	FINISH SEE NOTES	WEIGHT -	A2 00779 C=1589460 -
		CUSTOMER DRAWING	SCALE 8:1 SHEET 1 OF 2 REV J

