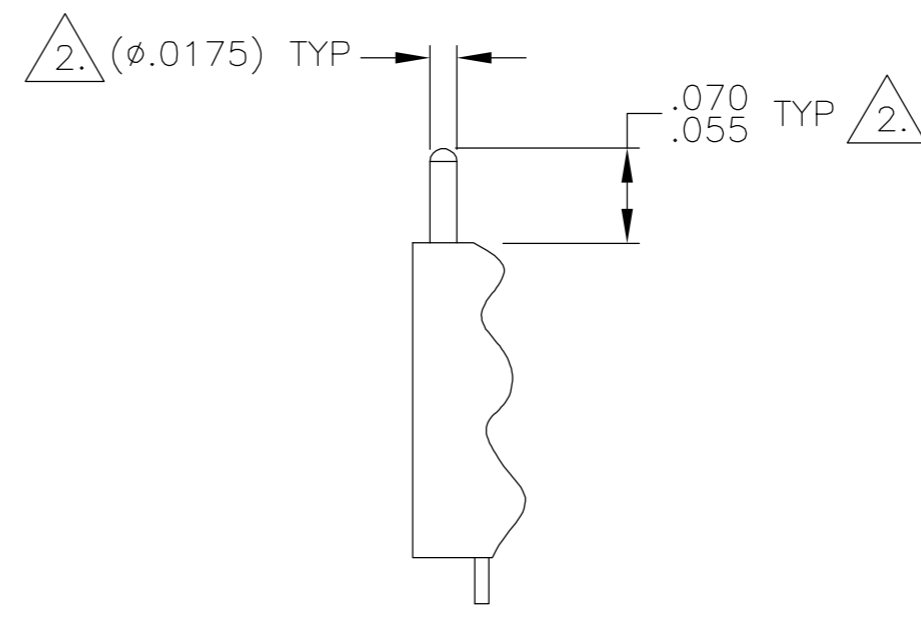
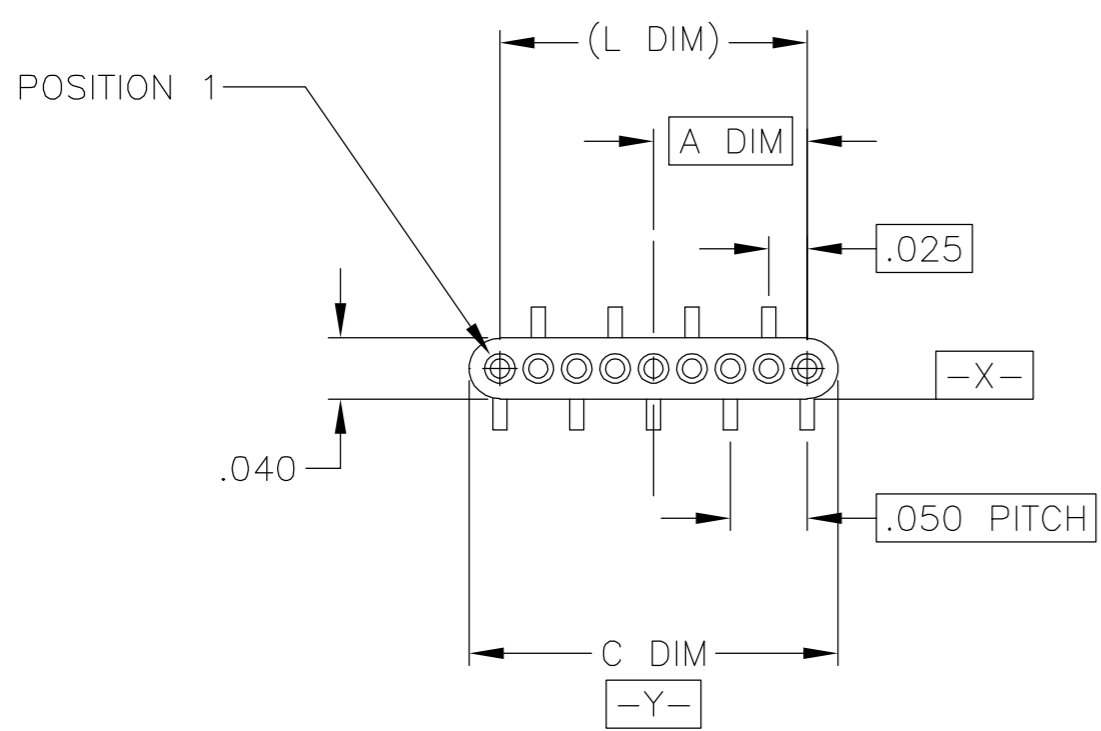


THIS DRAWING IS UNPUBLISHED. RELEASED FOR PUBLICATION
 © COPYRIGHT BY TYCO ELECTRONICS CORPORATION. ALL RIGHTS RESERVED.

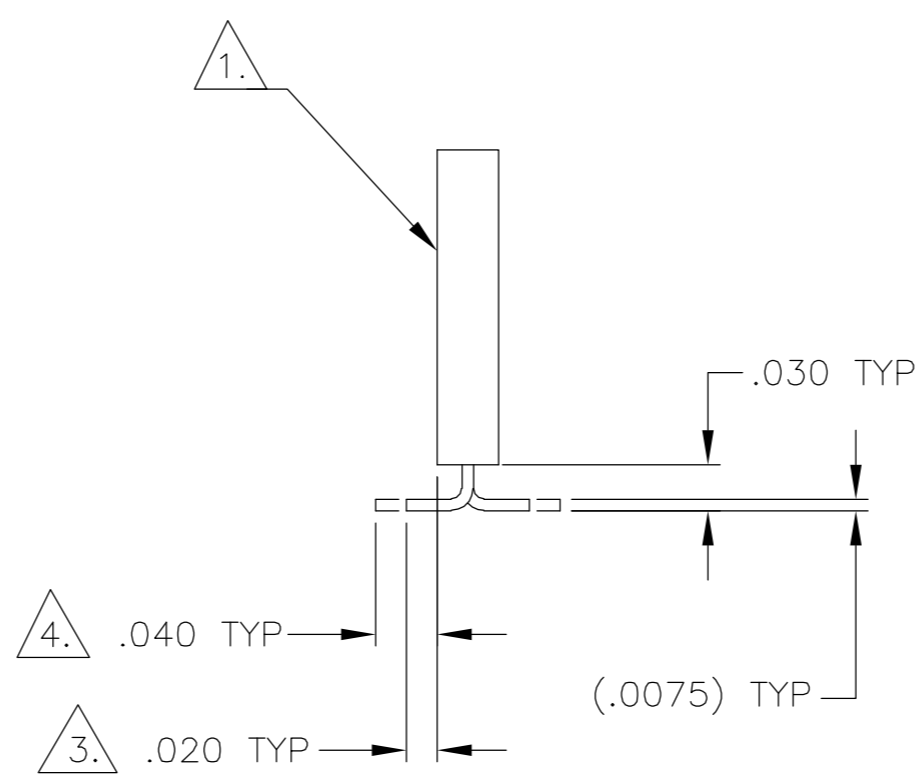
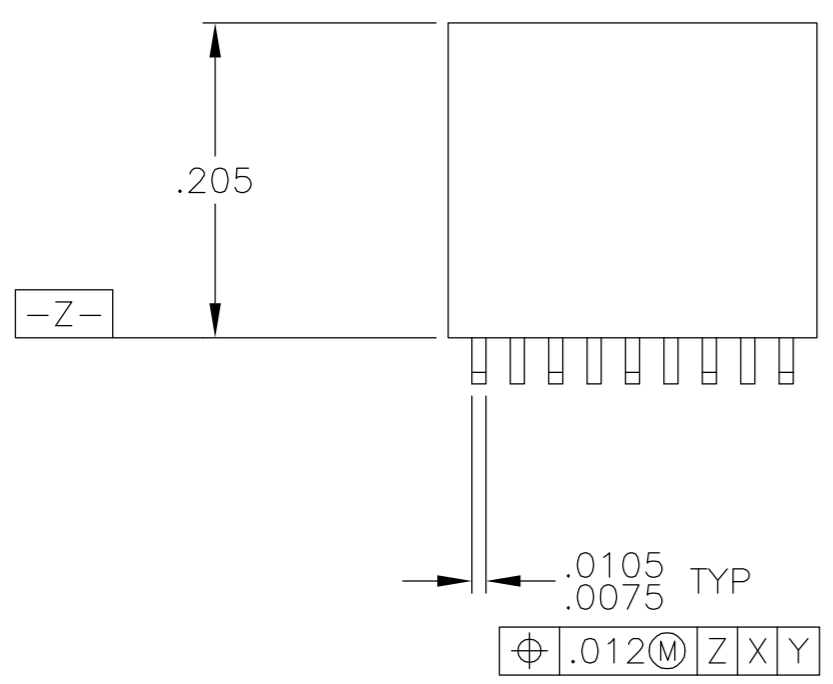
| LOC | | DIST | | REVISIONS | | | |
|-----|-----|-------------------------|--|-----------|-----|------|--|
| P | LTR | DESCRIPTION | | DATE | DWN | APVD | |
| | F | UPDATE PER 0H2Y-0008-04 | | 9 JAN 04 | CAS | MKS | |

| SIZE | A DIM | C DIM | (L DIM) |
|------|-------|-------|---------|
| 04 | .0375 | .115 | (.075) |
| 09 | .100 | .240 | (.200) |
| 15 | .175 | .390 | (.350) |

| | | | | |
|----|----|------|-------|---------|
| 5. | 25 | .300 | .640 | (.600) |
| 5. | 37 | .450 | .940 | (.900) |
| 5. | 51 | .625 | 1.290 | (1.250) |



DETAIL A
 POSITION "T" SHOWN FOR REFERENCE



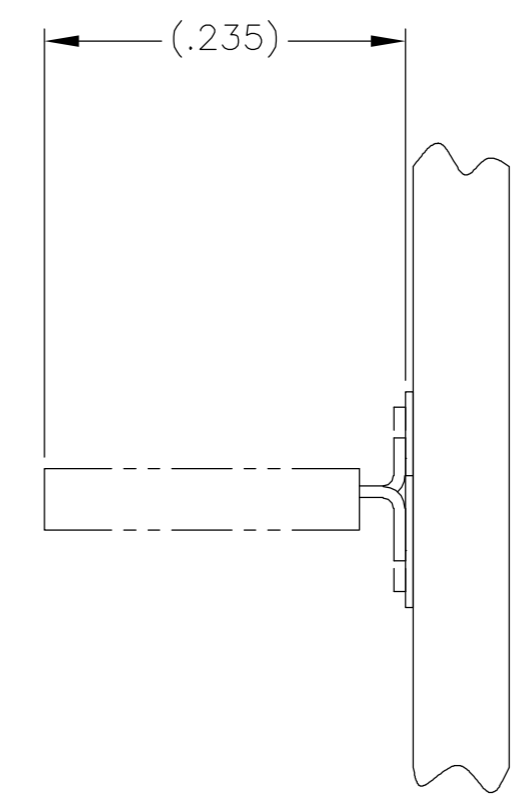
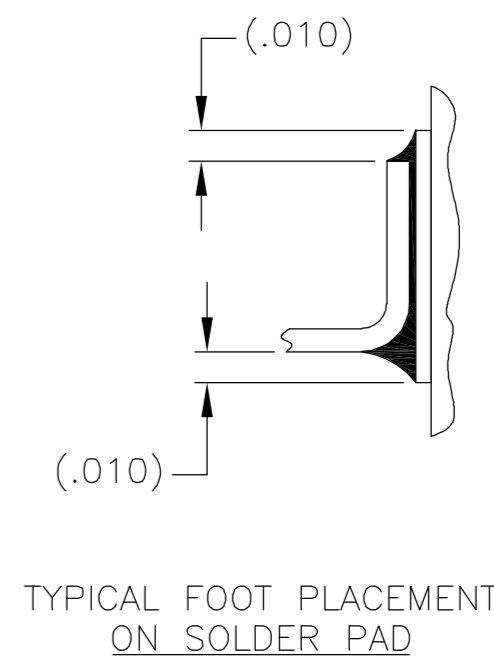
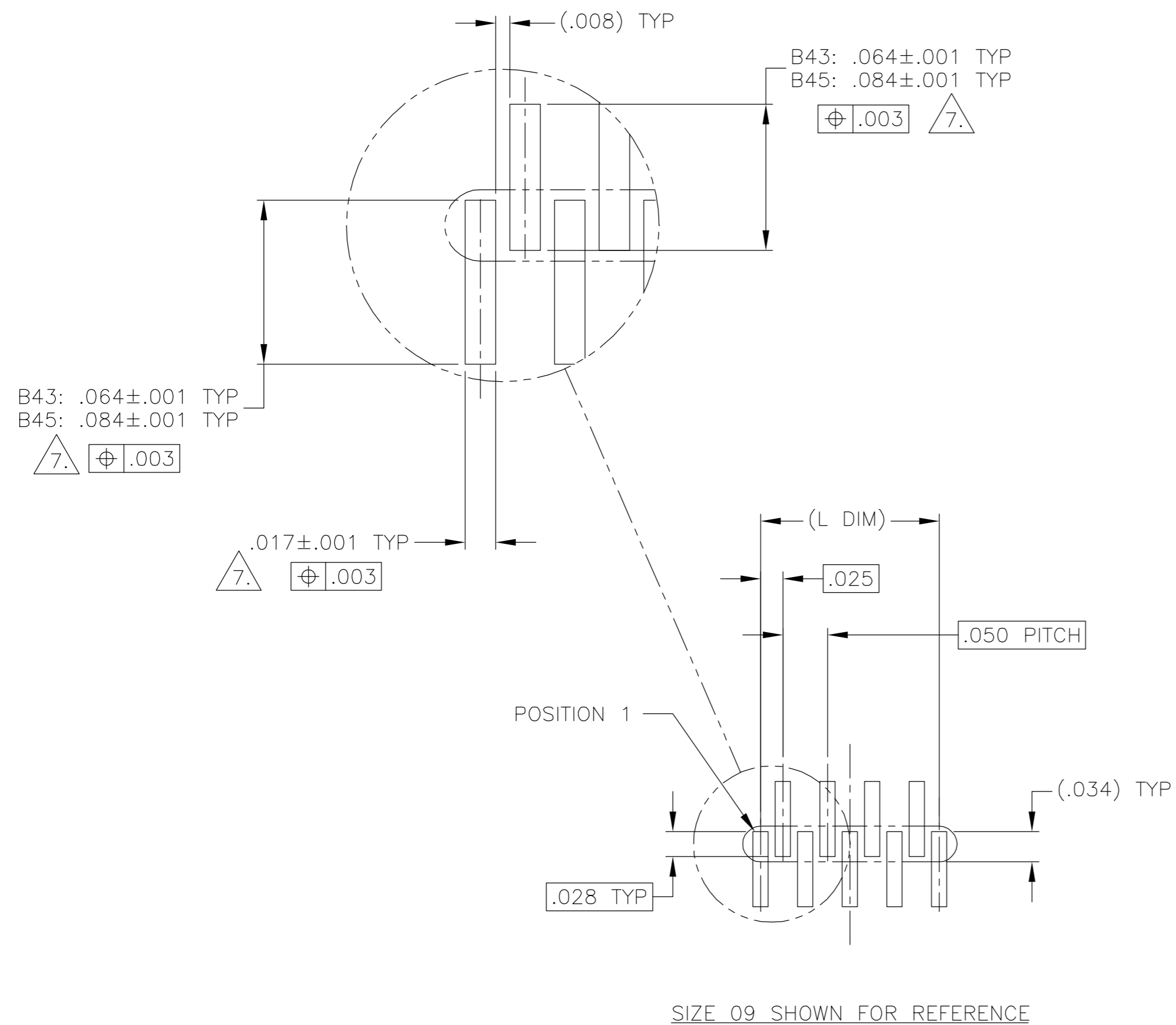
- T POSITION 1
- U POSITION 2
- V POSITION 3
- W POSITION 1, AND SECOND TO LAST POSITION
- Y POSITION 1, AND THIRD TO LAST POSITION
- Z POSITION 2, AND THIRD TO LAST POSITION

1. INSULATOR MATERIAL: LCP (LIQUID CRYSTAL POLYMER) PER ASTM D5138
2. OPTIONAL POLARIZATION GUIDE POST SHOWN FOR REFERENCE ONLY. IF GUIDE POST(S) ARE REQUIRED, THE LOCATION MUST BE SPECIFIED IN THE NANONICS PART NUMBER. GUIDE POST MATERIAL IS 303 STAINLESS STEEL, PASSIVATED PER SAE-AMS-QQ-P-35.
3. TERMINATION CODE: B43.
4. TERMINATION CODE: B45.
5. WHEN ORDERING THESE SIZES, FIRST CONSULT TYCO ELECTRONICS/NANONICS FOR ADDITIONAL INFORMATION.
6. THIS DRAWING PREVIOUSLY IDENTIFIED AS NANONICS N10138/020

| | | | |
|--|--|-------------------------------|--|
| THIS DRAWING IS A CONTROLLED DOCUMENT. | | DWN M. STORRY 01 APR 96 | Tyco Electronics Corporation Harrisburg, PA 17105 |
| DIMENSIONS: INCHES | | CHK D. RYAN 01 APR 96 | |
| TOLERANCES UNLESS OTHERWISE SPECIFIED: | | APVD - | NAME |
| 0 PLC ± - 1 PLC ± - 2 PLC ± .010 3 PLC ± .005 4 PLC ± - ANGLES ± 1° | | PRODUCT SPEC - | PLUG ASSEMBLY, UNSHROUDED STRIP, VERTICAL SMT, EXTENDED LEADS, PLASTIC |
| MATERIAL SEE NOTES | | FINISH SEE NOTES | SIZE A2 |
| CUSTOMER DRAWING | | WEIGHT - | CAGE CODE 00779 |
| | | SCALE 8:1 | DRAWING NO C=1589450 |
| | | SHEET 1 OF 2 | RESTRICTED TO - |
| | | REV F | |

THIS DRAWING IS UNPUBLISHED. RELEASED FOR PUBLICATION
 © COPYRIGHT BY TYCO ELECTRONICS CORPORATION. ALL RIGHTS RESERVED.

| LOC | | DIST | | REVISIONS | | | |
|-----|-----|-------------|--|-------------------------|----------|------|-----|
| P | LTR | DESCRIPTION | | DATE | DWN | APVD | |
| DF | D0 | F | | UPDATE PER 0H2Y-0008-04 | 9 JAN 03 | CAS | MKS |



TYPICAL PCB LAYOUT

SIZE 09 SHOWN FOR REFERENCE

7. POSITIONAL TOLERANCES FOR BASIC DIMENSIONED FEATURES ARE RELATIVE TO FIDUCIALS OR SOME SIMILAR DATUM REFERENCE DEFINED BY THE PCB DESIGNER.

| | | | | |
|---|---|--|--------------|---|
| THIS DRAWING IS A CONTROLLED DOCUMENT. | | DWN | - | Tyco Electronics Corporation Harrisburg, PA 17105 |
| DIMENSIONS: INCHES | | CHK | - | |
| TOLERANCES UNLESS OTHERWISE SPECIFIED: | | APVD | - | |
| 0 PLC ± - 1 PLC ± - 2 PLC ± - 3 PLC ± - 4 PLC ± - ANGLES ± - FINISH - | | PRODUCT SPEC - APPLICATION SPEC - WEIGHT - | | NAME PLUG ASSEMBLY, UNSHROUDED, STRIP, VERTICAL SMT, EXTENDED LEADS, PLASTIC |
| MATERIAL | - | SCALE | 8:1 | SIZE A2 CAGE CODE 00779 DRAWING NO. C=1589450 RESTRICTED TO - |
| CUSTOMER DRAWING | | | SHEET 2 OF 2 | REV F |

1589450