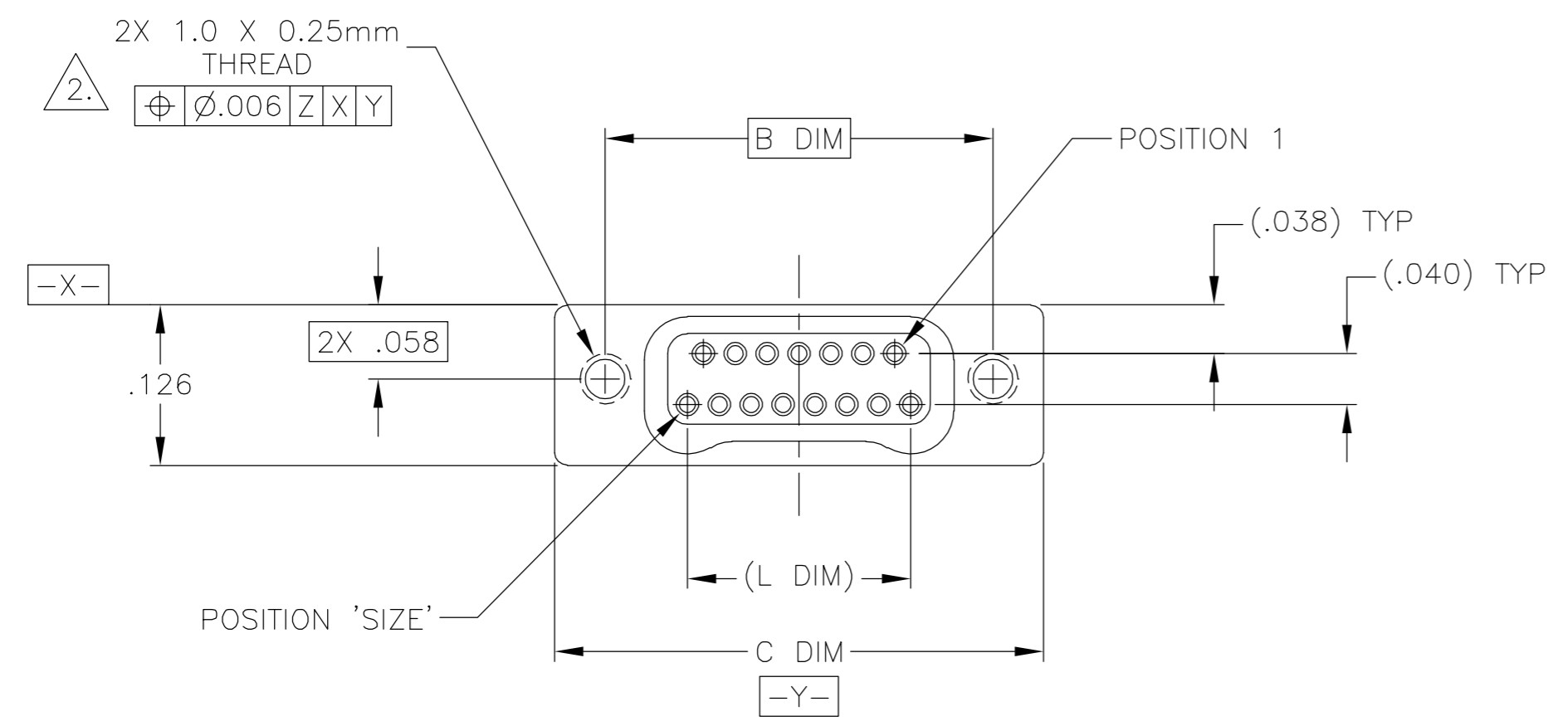
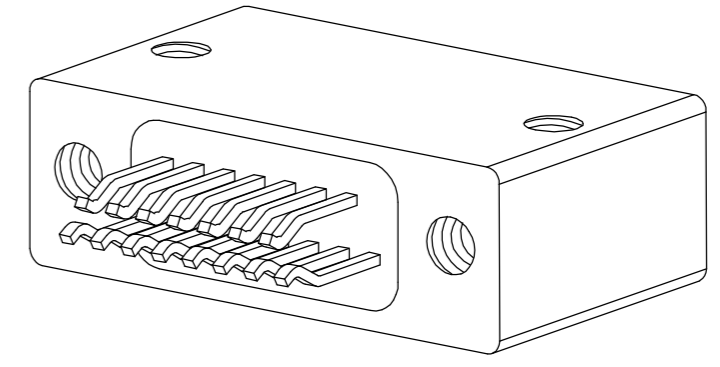
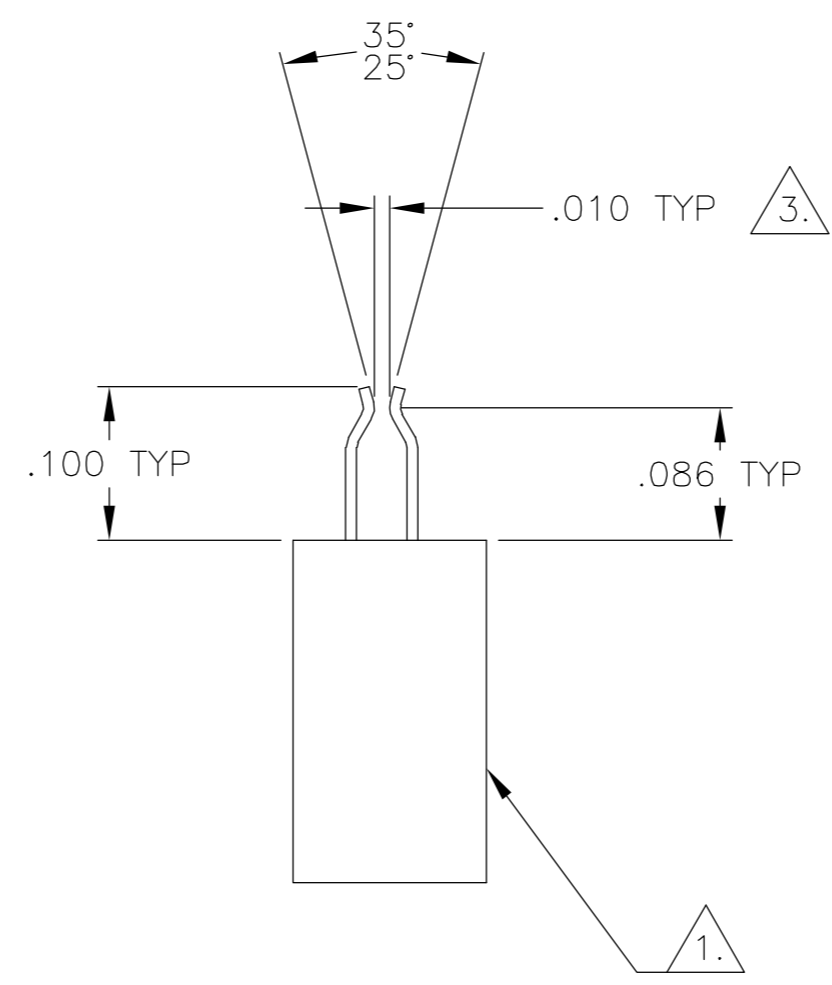
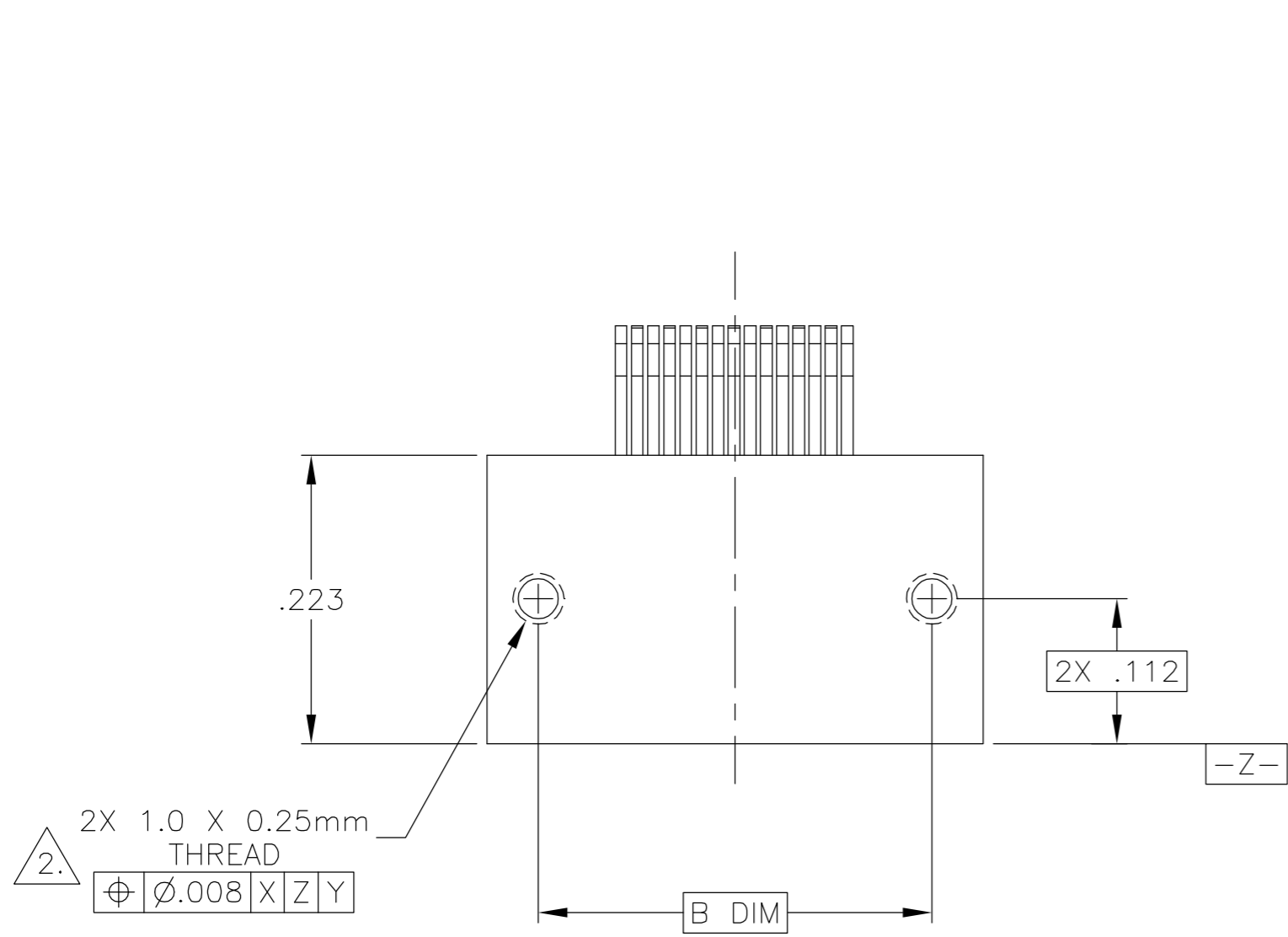


THIS DRAWING IS UNPUBLISHED. RELEASED FOR PUBLICATION
 © COPYRIGHT BY TYCO ELECTRONICS CORPORATION. ALL RIGHTS RESERVED.

LOC	DIST	REVISIONS			
P	LTR	DESCRIPTION	DATE	DWN	APVD
DF	DO				
	D	UPDATE PER 0H2Y-0164-04	05-12-04	JDM	MKS



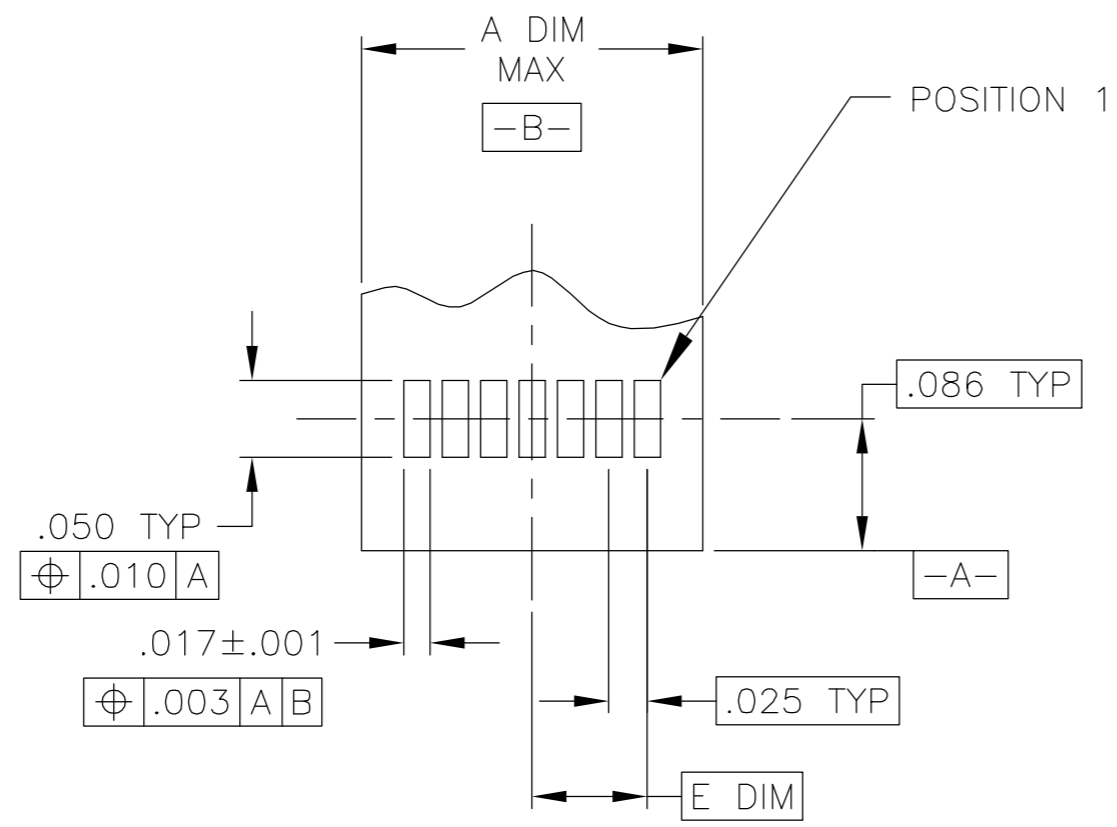
SIZE	B DIM	C DIM ±.0050	(L DIM)
09	.229	.3085	(.100)
15	.304	.3835	(.175)
25	.429	.5085	(.300)
37	.579	.6585	(.450)
51	.754	.8335	(.625)
65	.929	1.0085	(.800)

- 1. SHELL OPTIONS (TO BE SPECIFIED IN NANONICS PART NUMBER):
 METAL: 6061-T6 ALUMINUM, ELECTROLESS NICKEL PLATED PER MIL-C-26074 (STANDARD) OR GOLD PLATED PER MIL-G-45204
 303 STAINLESS STEEL, PASSIVATED PER SAE-AMS-QQ-P-35
 INSULATOR MATERIAL FOR ALL METAL SHELLS IS LIQUID CRYSTAL POLYMER (LCP) PER MIL-M-24519 OR PER ASTM D5138
 PLASTIC: LIQUID CRYSTAL POLYMER (LCP) PER MIL-M-24519 OR PER ASTM D5138
- 2. STANDARD 1.0 X 0.25mm MOUNTING AND JACKSCREW THREADS ARE SHOWN FOR REFERENCE ONLY AND MUST BE SPECIFIED IN THE NANONICS PART NUMBER WHEN REQUIRED. 1.2 X 0.25mm THREADS ALSO AVAILABLE.
- 3. LEAD MATERIAL: HH BRASS, TIN LEAD PLATED 60/40 COMPOSITION PER SAE-AMS-P-81728
- 4. NANONICS TERMINATION CODE: 11378
- 5. THIS DRAWING PREVIOUSLY IDENTIFIED AS NANONICS 303-0038-XX

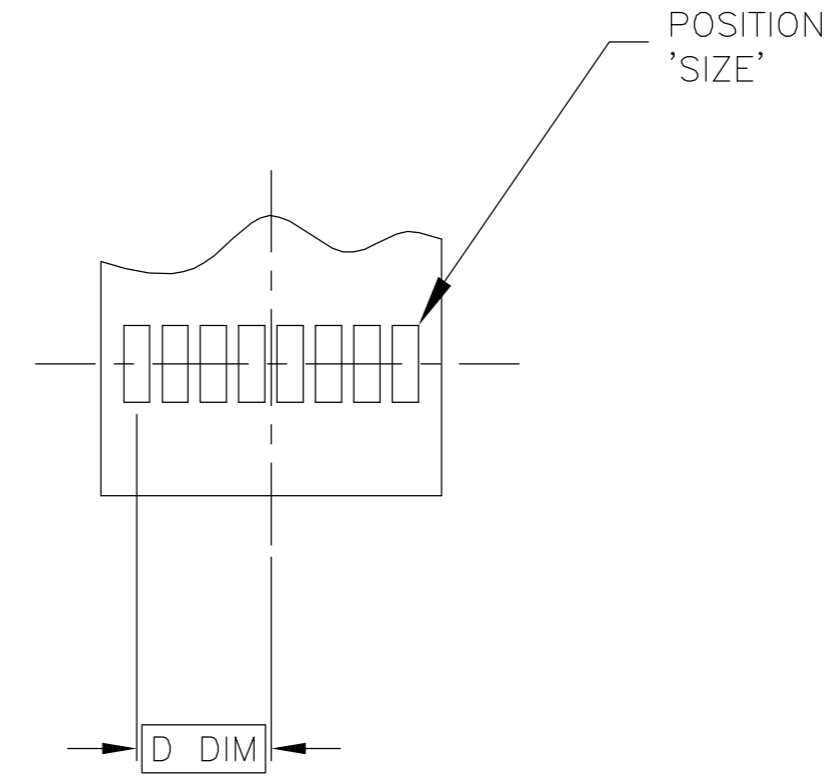
THIS DRAWING IS A CONTROLLED DOCUMENT.		DWN M. STORRY 05-15-99	Tyco Electronics Corporation Harrisburg, PA 17105	
DIMENSIONS: INCHES		CHK E. PAULUS 06-10-99		
TOLERANCES UNLESS OTHERWISE SPECIFIED:		APVD -	NAME	
0 PLC ± -		PRODUCT SPEC	RECEPTACLE ASSEMBLY, TWO ROW DUALLOBE, DUCKBILL LEADS, PLASTIC OR METAL	
1 PLC ± -		APPLICATION SPEC	SIZE CAGE CODE DRAWING NO RESTRICTED TO	
2 PLC ± .010			A2 00779 C=1589067 -	
3 PLC ± .005		WEIGHT	SCALE 8:1 SHEET 1 OF 2 REV D	
4 PLC ± -		CUSTOMER DRAWING		
ANGLES ± 1°				
FINISH				
SEE NOTES				

THIS DRAWING IS UNPUBLISHED. RELEASED FOR PUBLICATION
 © COPYRIGHT BY TYCO ELECTRONICS CORPORATION. ALL RIGHTS RESERVED.

LOC	DIST	REVISIONS					
DF	DO	P	LTR	DESCRIPTION	DATE	DWN	APVD
		D		UPDATE PER 0H2Y-0164-04	05-12-04	JDM	MKS



FLEX TOP VIEW
 SIZE 15 SHOWN FOR REFERENCE



FLEX BOTTOM VIEW

TYPICAL FLEX PAD LAYOUT

SIZE	A DIM MAX	D DIM	E DIM
09	.150	.0500	.0375
15	.225	.0875	.0750
25	.350	.1500	.1375
37	.500	.2250	.2125
51	.675	.3125	.3000
65	.850	.4000	.3875

THIS DRAWING IS A CONTROLLED DOCUMENT.		DWN	M. STORRY	05-15-99	 Tyco Electronics Corporation Harrisburg, PA 17105		
DIMENSIONS: INCHES		CHK	E. PAULUS	06-10-99			
TOLERANCES UNLESS OTHERWISE SPECIFIED:		APVD	-	-			
0 PLC ± - 1 PLC ± - 2 PLC ± .010 3 PLC ± .005 4 PLC ± - ANGLES ± 1°		PRODUCT SPEC	-	NAME			
MATERIAL		APPLICATION SPEC	-	RECEPTACLE ASSEMBLY, TWO ROW DUALOBE, DUCKBILL LEADS, PLASTIC OR METAL			
FINISH		WEIGHT	-	SIZE	CAGE CODE	DRAWING NO	RESTRICTED TO
-		CUSTOMER DRAWING	-	A2	00779	C=1589067	-
		SCALE	8:1	SHEET	2	OF	2
		REV	D				

1589067