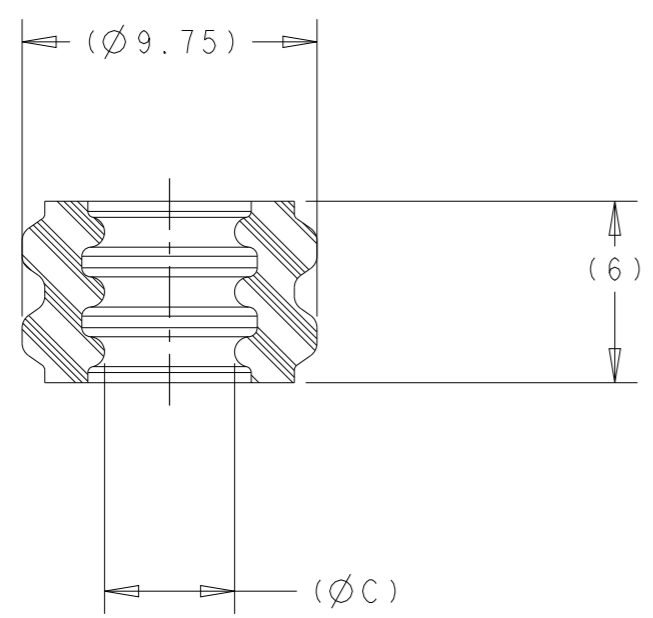
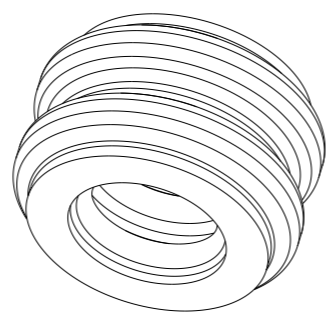
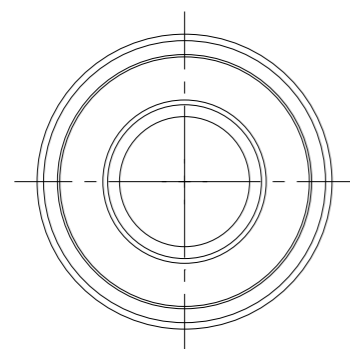


THIS DRAWING IS UNPUBLISHED. RELEASED FOR PUBLICATION 20  
 © COPYRIGHT 20 BY TYCO ELECTRONICS CORPORATION. ALL RIGHTS RESERVED.

LOC	DIST	REVISIONS					
		P	LTR	DESCRIPTION	DATE	DWN	APVD
HV	00		A	ECO-07-029018 / ECR-07-029589	11DEC2007	DS	AT
			A1	ECO-20-008652	22JUN2020	CN	AC
			B	ECN-23-225289	05AUG2023	SS	PK



SECTION A - A

- MATERIAL:  
 TYPE: INHERENTLY LUBRICATED SILICONE  
 COLOR: SEE CHART  
 DUROMETER: SEE CHART
- PART DIMENSIONS SHOWN ARE IN FREE STATE CONDITION
- FEATURES DENOTED BY REFERENCE DIMENSIONS MUST BE INSPECTED FOR PRESENCE
- PART MUST BE FREE OF EXCESSIVE FLASH, MIS-MATCH, STAINS, SCORES, SINK MARKS, OR OTHER VISUAL IMPERFECTIONS THAT MAY AFFECT PRODUCT FIT OR FUNCTION

5 REMOVED

BLUE	30	3.60	CABLE SEAL, HVA	1587530-3
GREEN	50	5.20	CABLE SEAL, SIZE C-D, HVA	1587530-2
YELLOW	30	4.30	CABLE SEAL, SIZE A-B, HVA	1587530-1
COLOR	DUROMETER	∅C	DESCRIPTION	PART NO

THIS DRAWING IS A CONTROLLED DOCUMENT FOR TYCO ELECTRONICS CORPORATION. IT IS SUBJECT TO CHANGE AND THE CONTROLLING ENGINEERING ORGANIZATION SHOULD BE CONTACTED FOR THE LATEST REVISION.

DWN D SIMPSON 26 JAN 2007	Tyco Electronics Harrisburg, PA 17105-3608	NAME CABLE SEAL, HVA HVA TERMINATION
CHK A TYLER 11 DEC 2007		
APVD J BOLEWITZ	PRODUCT SPEC	RESTRICTED TO
APPLICATION SPEC	WEIGHT	SIZE CAGE CODE DRAWING NO
MATERIAL NOTED	FINISH	A300779 C-1587530
CUSTOMER DRAWING		SCALE 4:1 SHEET 1 OF 1 REV B