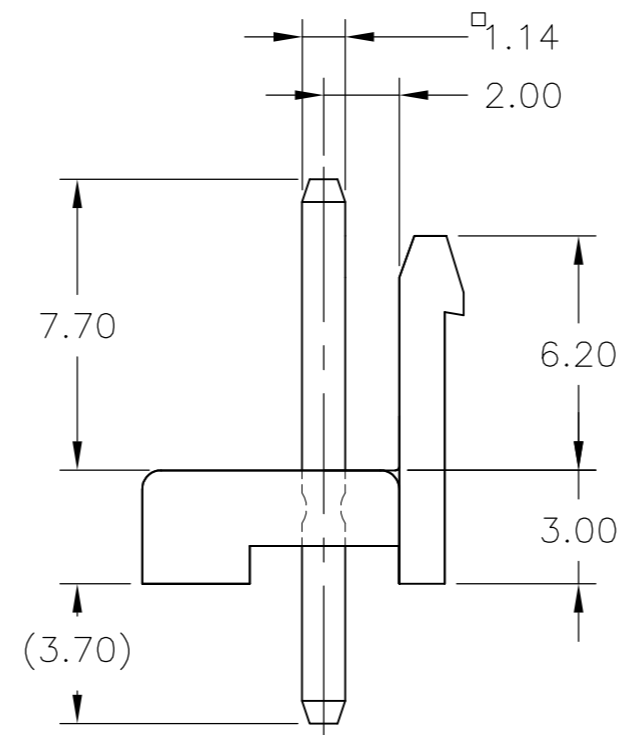
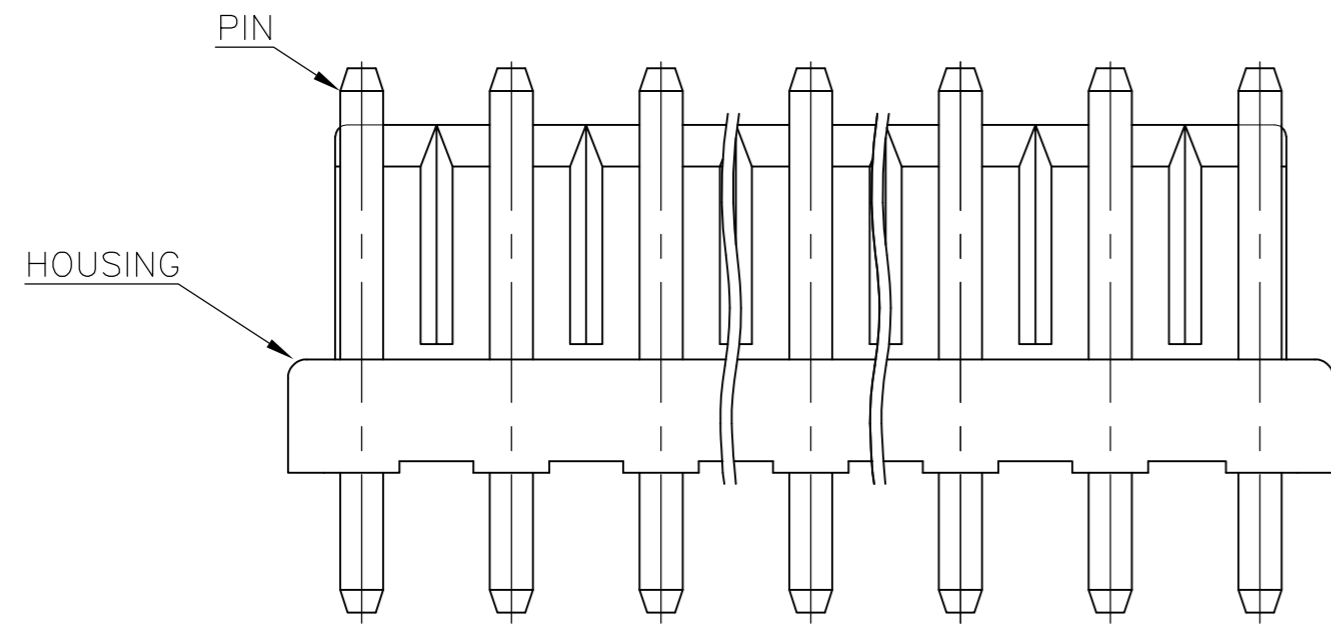
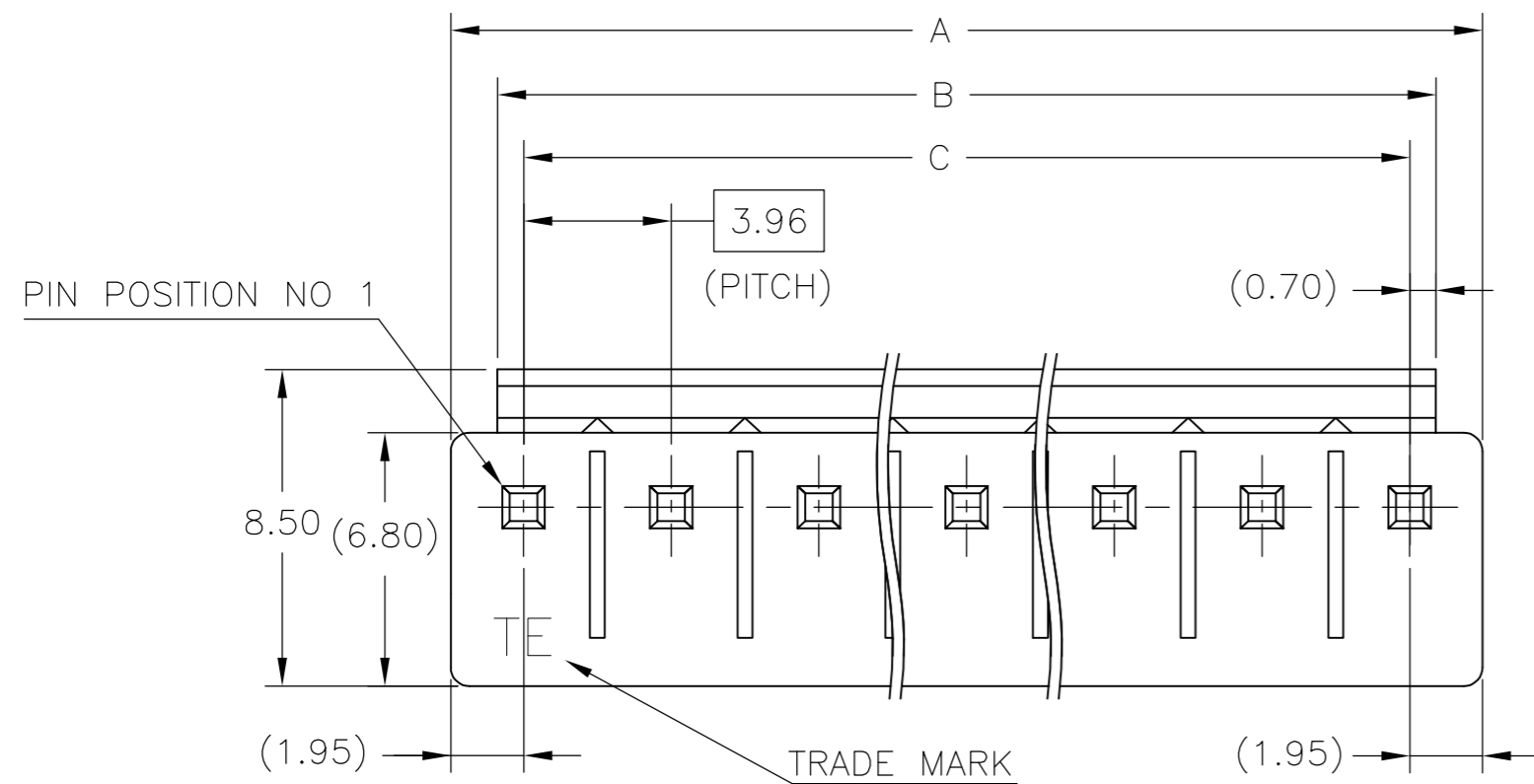


THIS DRAWING IS UNPUBLISHED. RELEASED FOR PUBLICATION
 © COPYRIGHT - By - ALL RIGHTS RESERVED.

LOC		DIST		REVISIONS			
P	LTR	DESCRIPTION		DATE	DWN	APVD	
J	-	D	REVISED PER ECR-14-007279	04SEP2014	NK	TM	



$\phi 1.60^{+0.1}_{-0.0}$ (PUNCHED HOLE)
 $\phi 1.65^{+0.1}_{-0.0}$ (DRILLED HOLE)

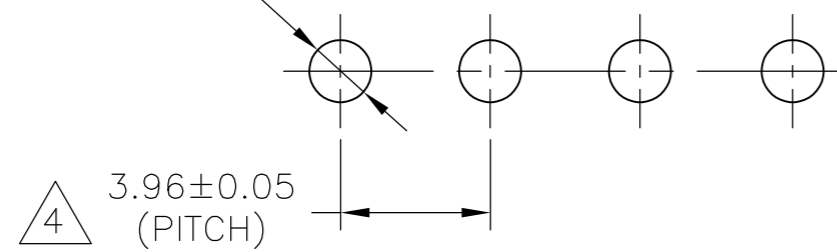


FIG.1

- 1 MATING CONN P/N: □-1123722-□
- 2 APPLICABLE P.C.B LAYOUT: SEE FIG. 1
- 3 APPLICABLE P.C.B THICKNESS: 1.60
- 4 SKETCHES SHOW NO PINS MISSING.
- 5 COMPLY WITH GLOW WIRE REQUIREMENTS FOR PARTS OF NON-METALIC MATERIAL SUPPORTING A CURRENT CARRYING CONNECTION DETAILED IN IEC 60335-1 SECTION 30 (GWT [GLOW WIRE TEST]) 750° SPEC.
- 6 PIN: POST TIN OVER BRASS
- 7 HOUSING: PBT, 30% GLASS, UL94-V0.
- 8 ○ : WITH PIN, X : WITHOUT PIN.
- 9 HOUSING: NYLON, 15% GLASS, UL94-V2
- 10 OBSOLETE.

YES	9	○	×	○	×	○	×	○	×	○	×	○	×	○	×	15.84			NATURAL		7-1565034-3
NO	7	○	×	○	×	○	×	○	×	○	×	○	×	○	×	19.80	21.20	23.70	NATURAL	6	10 2-1565034-3
		○	×	○	×	○	×	○	×	○	×	○	×	○	×	15.84			NATURAL		1-1565034-3
GWT	5	PIN POSITION 8											DIMENSION			COLOR	POSN	ASS'Y P/N			

THIS DRAWING IS A CONTROLLED DOCUMENT.

DWN Y.YAMADA 07SEP2004
 CHK N.YAMASAKI 07SEP2004
 APVD N.YAMASAKI 07SEP2004

TE TE Connectivity

NAME ECONOMY POWER (EP) CONN HEADER ASS'Y
 7.92mm PITCH 3POS SPECIAL

PRODUCT SPEC 108-5609
 APPLICATION SPEC

SIZE A2 CAGE CODE 00779 DRAWING NO C=1565034 RESTRICTED TO

WEIGHT - SCALE 5:1 SHEET 1 OF 1 REV D

CUSTOMER DRAWING

1565034