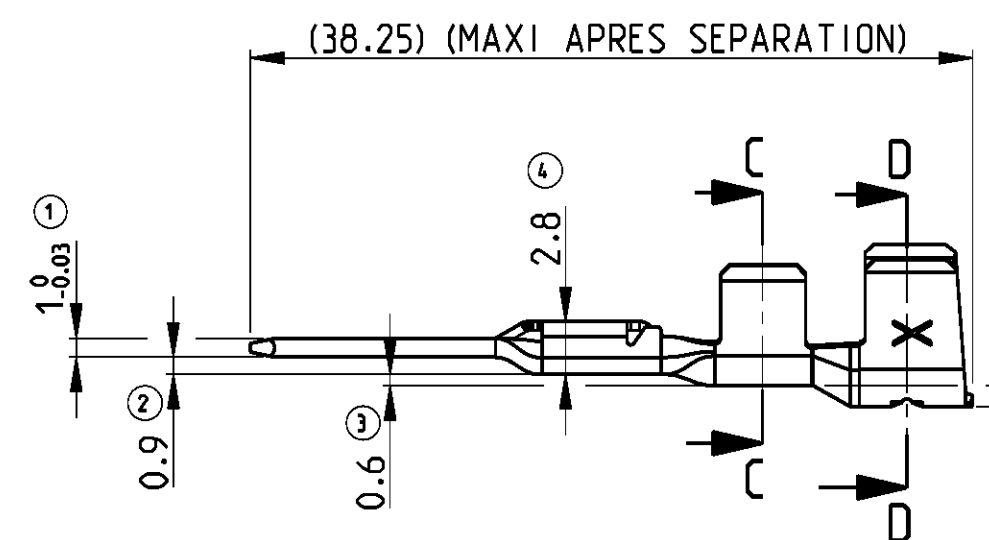
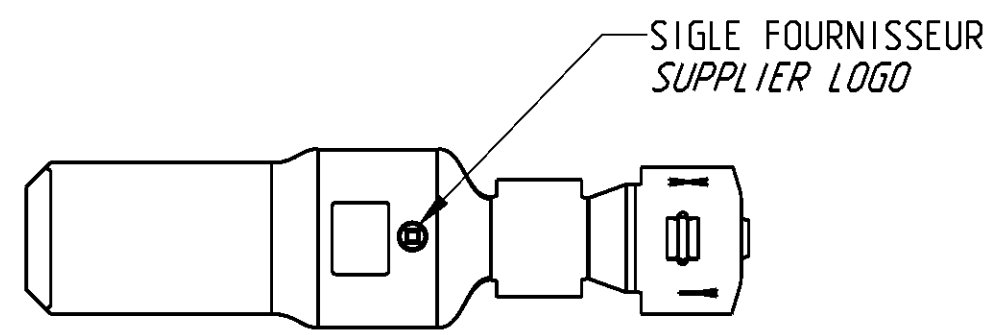
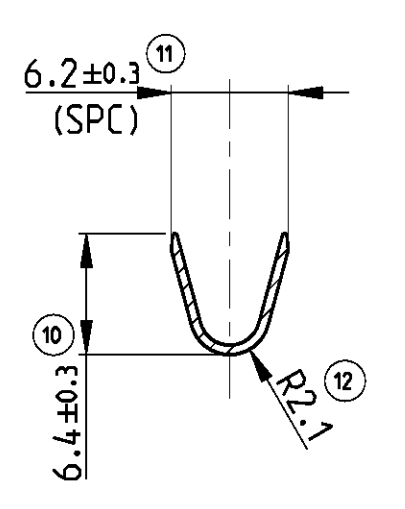


THIS DRAWING IS UNPUBLISHED. / LIBRE A LA DIFFUSION
 DIFFUSION RESTREINTE / TOUS DROITS INTERNATIONAUX RESERVES.
 © COPYRIGHT 2010 BY TYCO ELECTRONICS CORPORATION. /

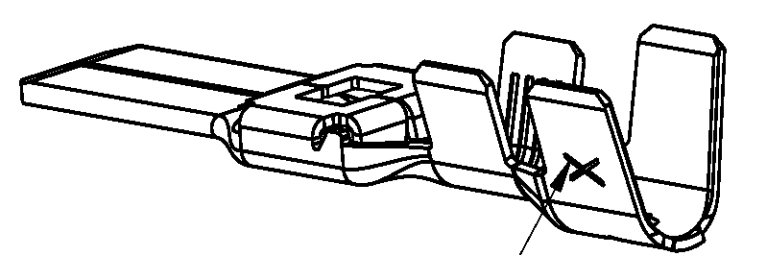
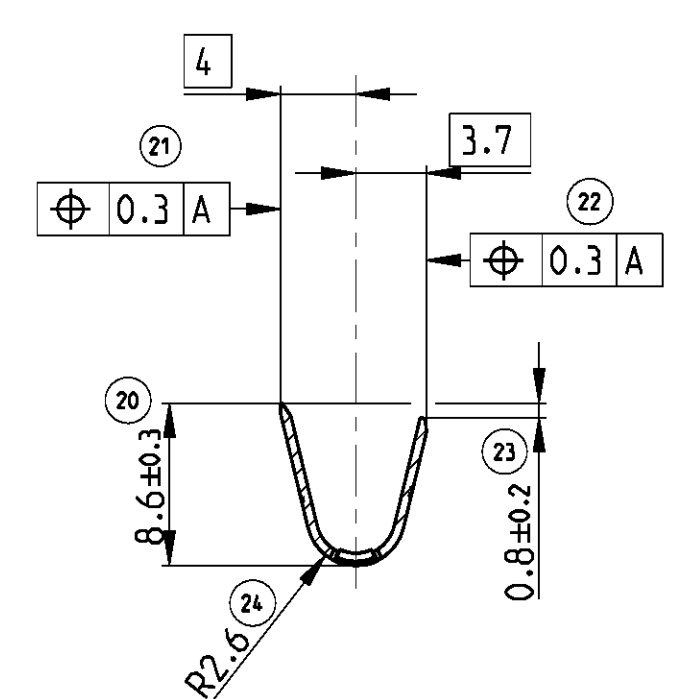
LOC		DIST		REVISIONS				
P	LTR	DESCRIPTION MODIFICATIONS	DATE	DWN DESS.	APVD APP.			
-	-							



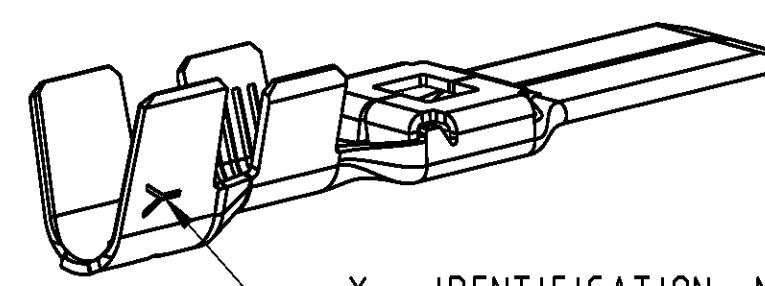
COUPE C-C / SECTION C-C



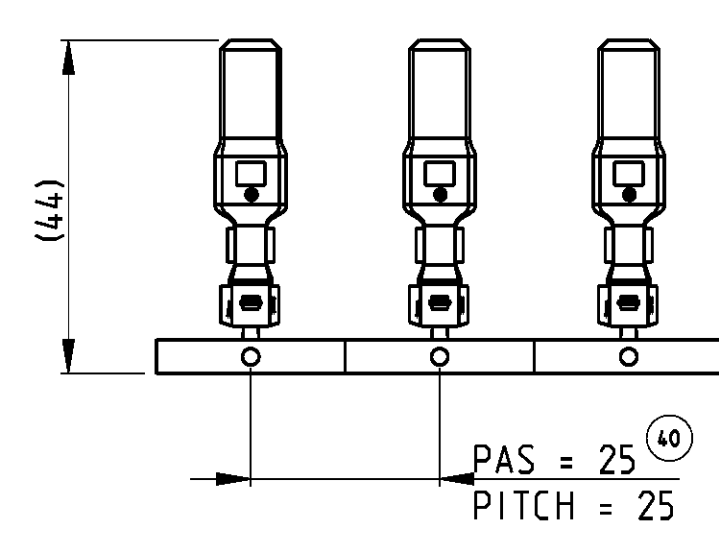
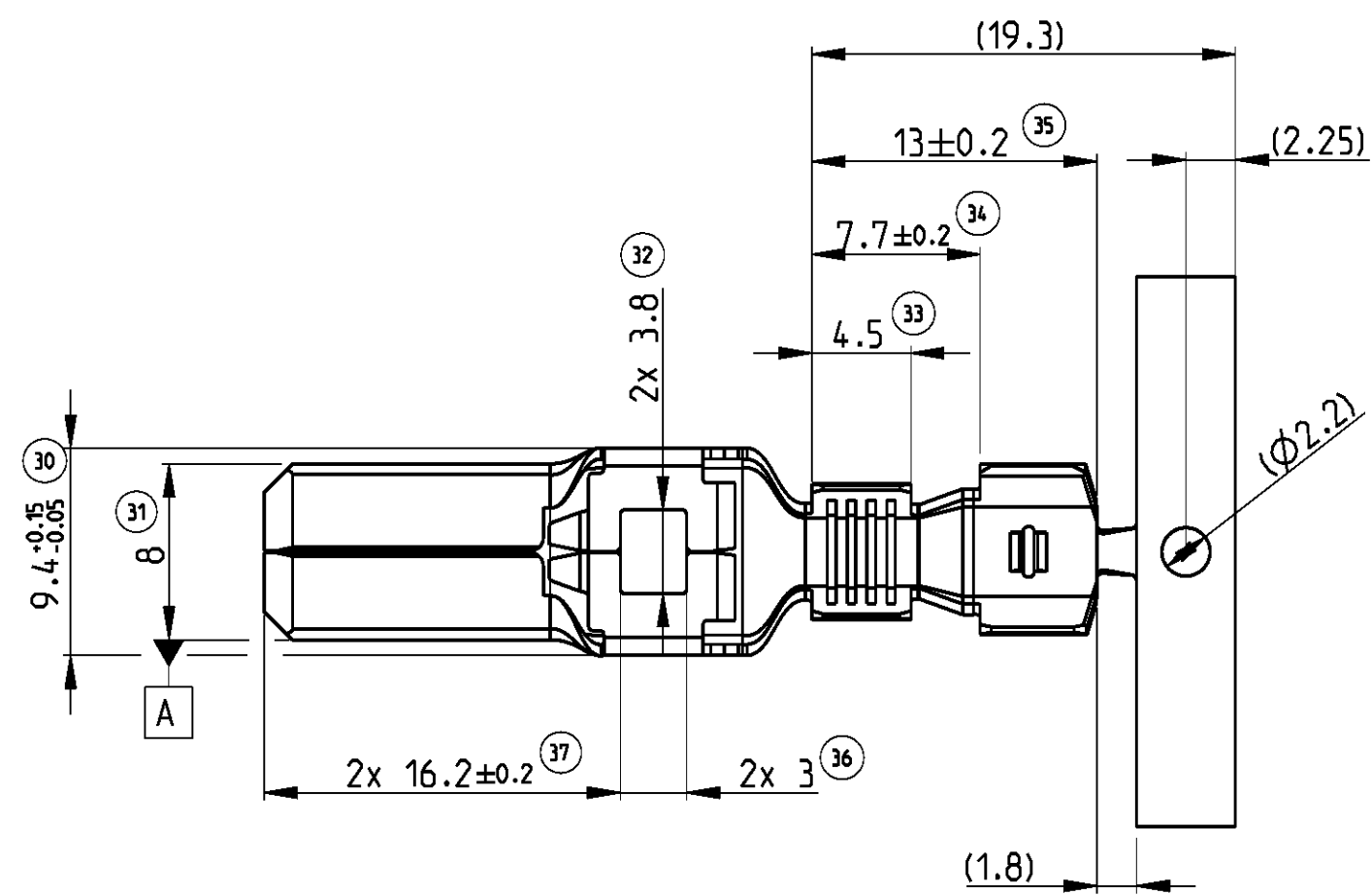
COUPE D-D / SECTION D-D



IDENTIFICATION DE LA GAMME
 "B" = DE 5 A 6 MM2
 WIRE RANGE IDENTIFICATION
 "B" = FROM 5 TO 6 MM2



Y = IDENTIFICATION MATIERE
 EN CU MICRO ALLIE. VOIR TABLEAU
 Y = MATERIAL IN CU MICRO ALLOY
 SEE DESCRIPTION IN TABLE



NOTA		NOTES	
1	(X) = POUR INFORMATION	1	(X) = FOR INFORMATION
2	CONDITIONNEMENT : VOIR SPECIFICATION 107-15603	2	PACKAGING : SEE SPECIFICATION 107-15603
3	SPC = DIMENSION SUIVIE EN SPC	3	SPC = DIMENSION WITH MANUFACTURING CONTROL

REFERENCE / PN TYCO Electronics	REFERENCE CLIENT PN CUSTOMER	Y : REPERE MATIERE MATERIAL REPERE	MATIERE MATERIAL	TRAITEMENT DE SURFACE HEAT TREATMENT
1544968-1		S	CuSnMg SELON SPECIFICATION: 100-421 H02	PRE-ETAME SnAg DE 1 A 3µ SELON SPECIFICATION 112-73-2 PRE-TINNED SnAg FROM 1 TO 3µ ACCORDING SPECIFICATION 112-73-2
1544968-2		T	CuSnMg ACCORDING TO SPECIFICATION: 100-421 H02	PRE-ARGENTE Ag DE 1 A 3µ SELON SPECIFICATIONS 212-7, 112-32 ET 118-91 PRE-SILVERED Ag FROM 1 TO 3µ ACCORDING SPECIFICATIONS 212-7, 112-32 AND 118-91

PRODUIT ASSOCIE / APPLIED PRODUCT			
DESIGNATION DES JOINTS SEALS DESCRIPTION	REFERENCE / PN TYCO Electronics	REFERENCE / PN CUSTOMER	COULEUR COLOR
JOINT UNIFILAIRE NG9K 2.5 A 5 MM2 NG9K SINGLE WIRE SEAL 2.5 TO 5 MM2	1544970-1		MARRON / BROWN
JOINT UNIFILAIRE NG9K 6 A 7 MM2 NG9K SINGLE WIRE SEAL 6 TO 7 MM2	1544970-2		BLEU / BLUE
INTERFACE MONTABILITE / INTERFACE CAVITY			
1801558			

THIS DRAWING IS A CONTROLLED DOCUMENT FOR TYCO ELECTRONICS CORPORATION. IT IS SUBJECT TO CHANGE AND THE CONTROLLING ENGINEERING ORGANIZATION SHOULD BE CONTACTED FOR THE LATEST REVISION. / LE PLAN EST UN DOCUMENT CONTROLÉ PAR SON RESPONSABLE. IL EST SUSCEPTIBLE D'ÊTRE MODIFIÉ. CONTACTER LE SERVICE TECHNIQUE D'APPUI DE FRANCE POUR OBTENIR LA DERNIÈRE RÉVISION.

DIMENSIONS: mm

TOLERANCES UNLESS OTHERWISE SPECIFIED: (SEULS EN DE DECIMALES)
 A / P.L.C / DEC: ±0.1
 B / P.L.C / DEC: ±0.1
 C / P.L.C / DEC: ±0.1
 ANGLES: #2°

MATERIAL MATIERE: SEE TABLE
 FINISH FINITION: SEE TABLE

DWN / DESSINE: P.FLORES 01FEB10
 CHK / VERIFIE: L.CORONELLI 01FEB10
 APVD / APPROUVE: J.DAHER 01FEB10

PRODUCT SPEC: 108-15382
 APPLICATION SPEC: 114-15109

WEIGHT MASSE APPROX.: 0.002kg

UNTYCO ELECTRONICS Tyco Electronics France SAS
 517, avenue de la Boisse, 73000 Chambéry

NAME TITRE: LANGUETTE NG1+ - 5 A 6mm2
 NG1+ TAB - WIRE RANGE 5 TO 6mm2

SIZE FORMAT: A2
 CAGE CODE: 00779
 DRAWING NO: C=1544968

CUSTOMER DRAWING / PLAN CLIENT
 UNTYCO ELECTRONICS POUR REFERENCE
 SCALE ECHELLE: 2:1
 SHEET FEUILLE: 1 OF 1
 REV: A