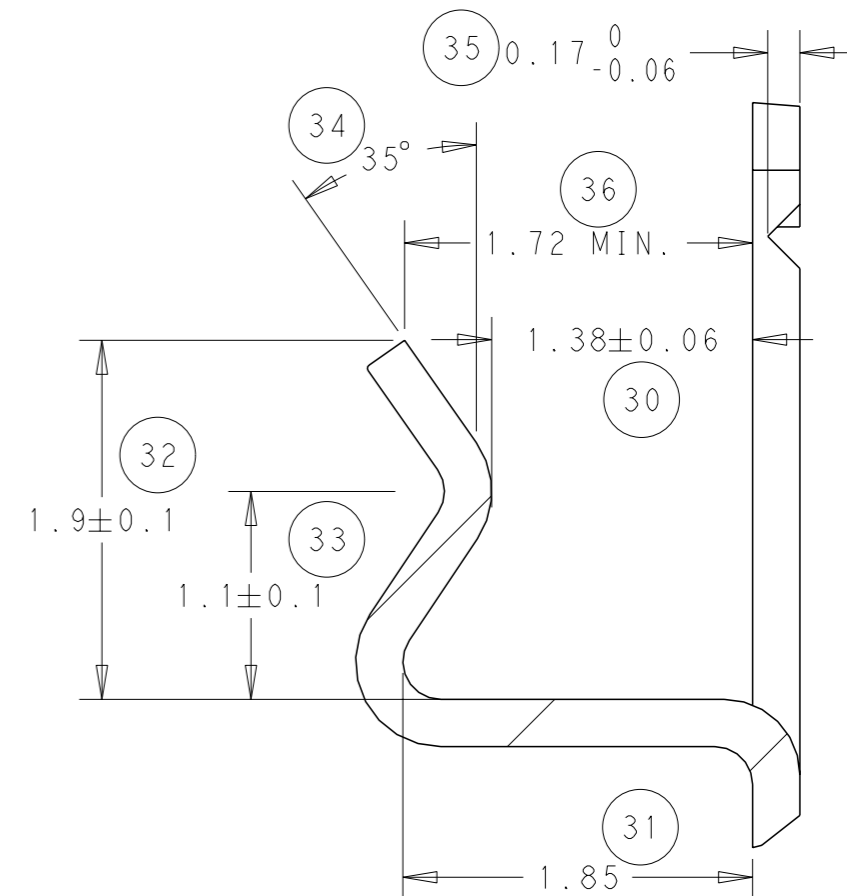
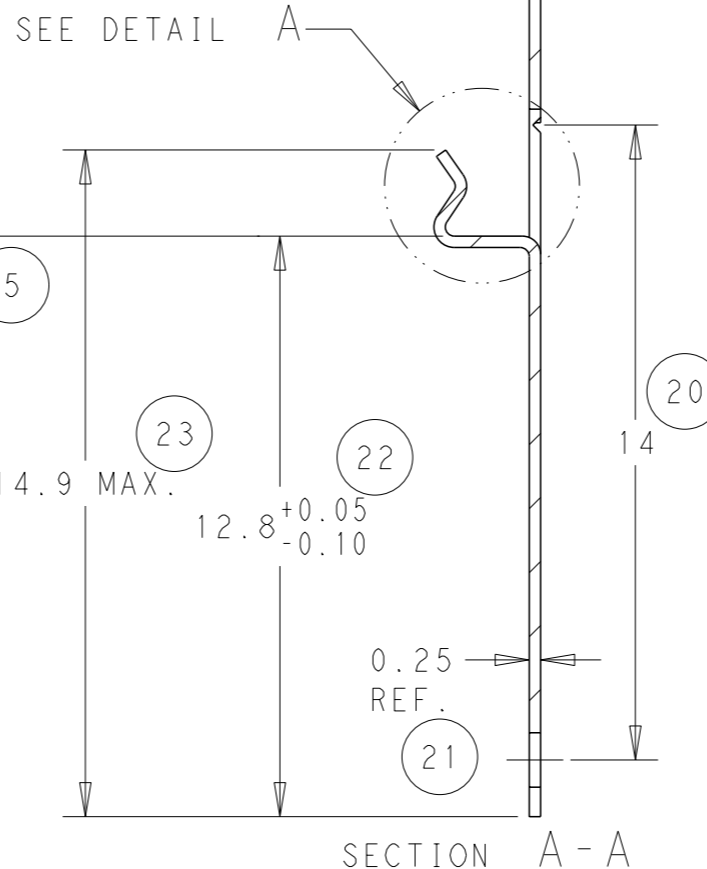
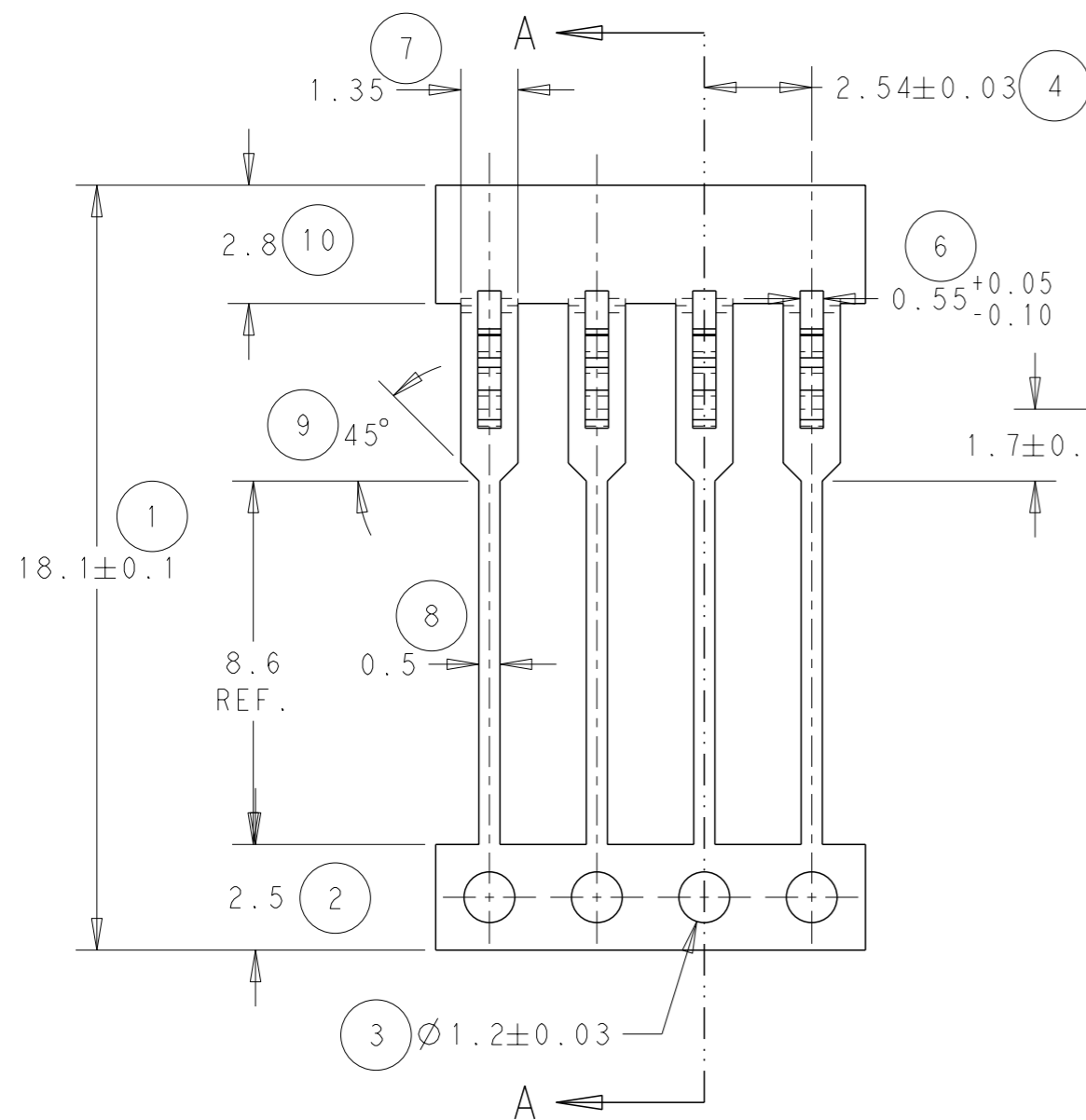
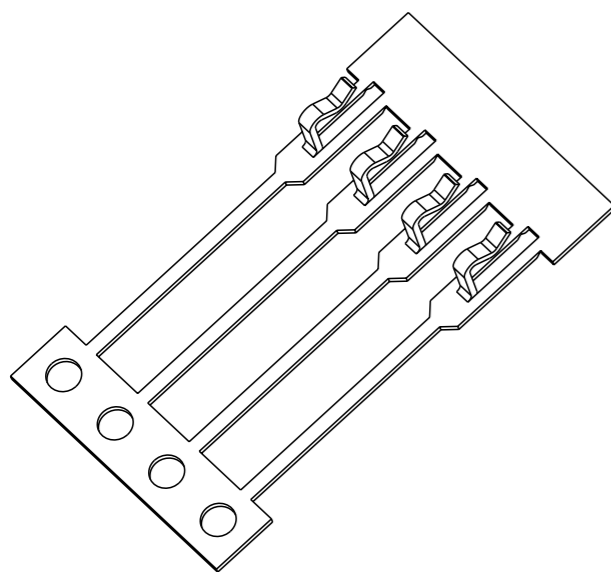


LOC	DIST	REVISIONS				
P	LTR	DESCRIPTION	DATE	DWN	APVD	
B	-	D	ECR-11-018847	13/09/11	JB	MG
		E	ECR-11-018988	14/09/11	JB	MG
		F	ECR-11-019621	28/09/11	JB	MG

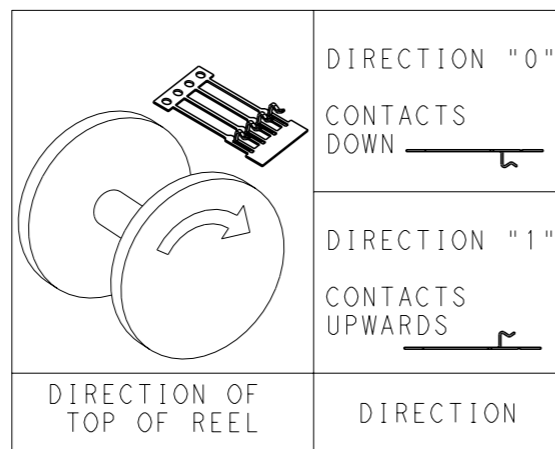


DETAIL A SCALE 25:1

NOTE  
 BOWING: AFTER UPPER TIE BAR REMOVAL - 1.5mm MAX. FOR 500mm  
 PITCH: AFTER UPPER TIE BAR REMOVAL - 2.54±0.127



SCALE 4:1



THIS DRAWING IS A CONTROLLED DOCUMENT.

DIMENSIONS: mm

TOLERANCES UNLESS OTHERWISE SPECIFIED:

0 PLC	±-
1 PLC	±-
2 PLC	±0.05
3 PLC	±-
4 PLC	±-
ANGLES	±0.5
FINISH	-

MATERIAL SEE ABOVE

DWN	J. BRIGHT	22/08/11
CHK	M. GREENER	22/08/11
APVD	D. PENNINGTON	22/08/11
PRODUCT SPEC	-	-
APPLICATION SPEC	-	-
WEIGHT	-	-

0	Ni & Sn	1544210-3
0	Ni & Sn	1544210-2
0	Sn	1544210-1
REELING	FINISH	PART NUMBER



NAME			
SIL CONTACTS			
SIZE	CAGE CODE	DRAWING NO	RESTRICTED TO
A3	00779	C-1544210	-
CUSTOMER DRAWING		SCALE	SHEET
		NTS	1 OF 1
			REV F