

4

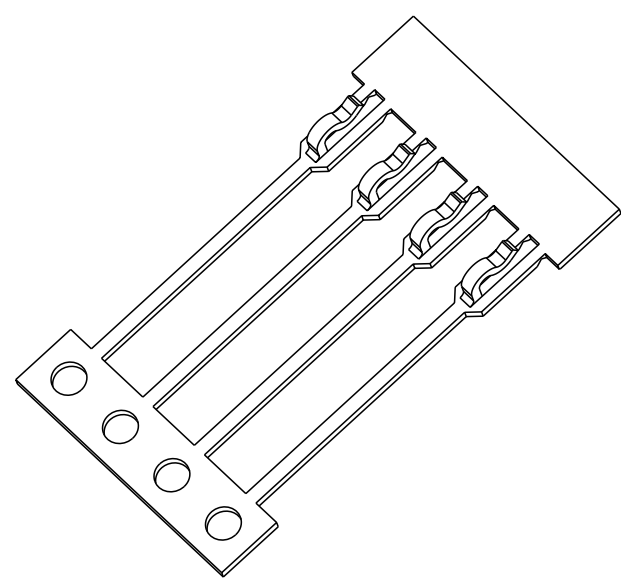
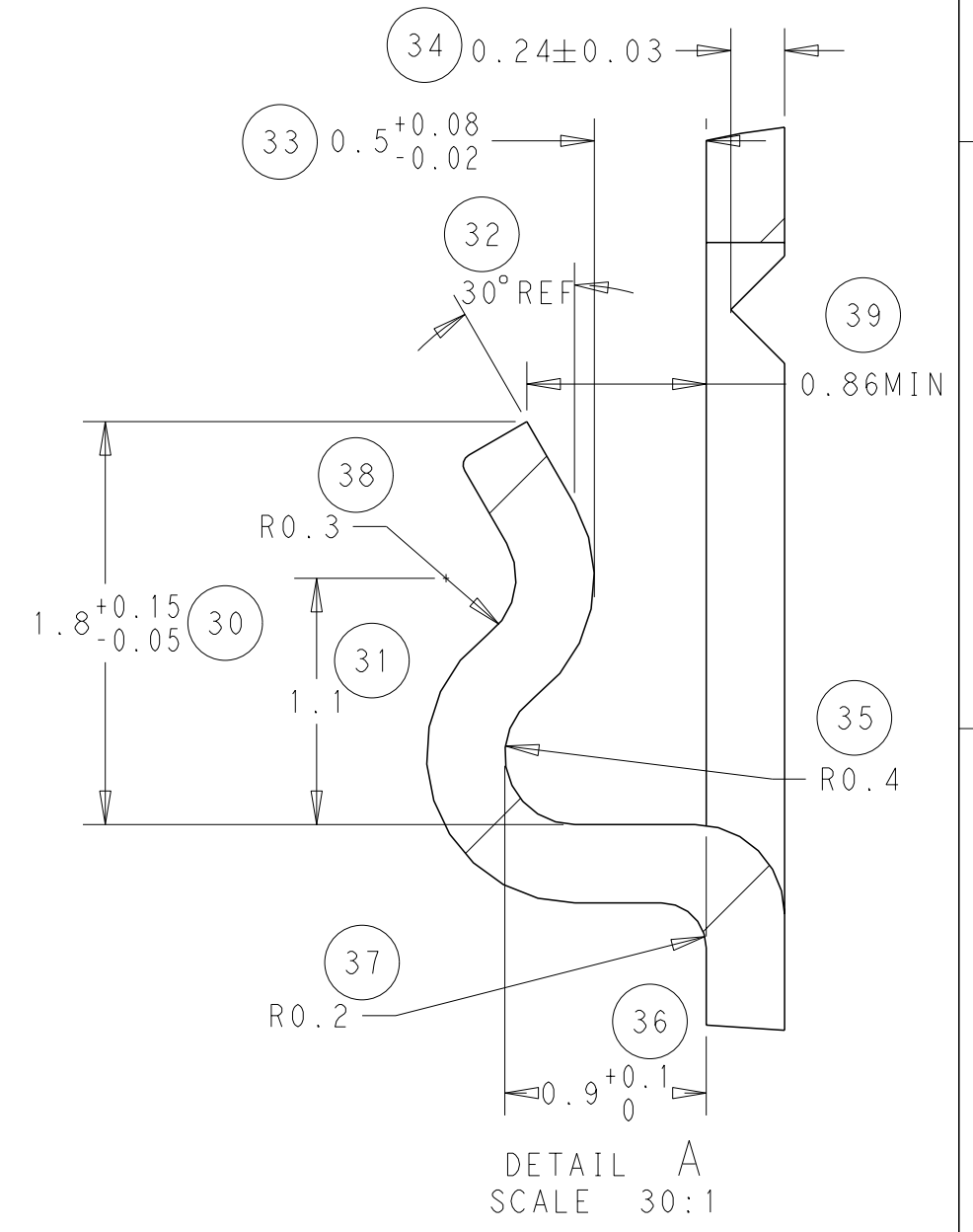
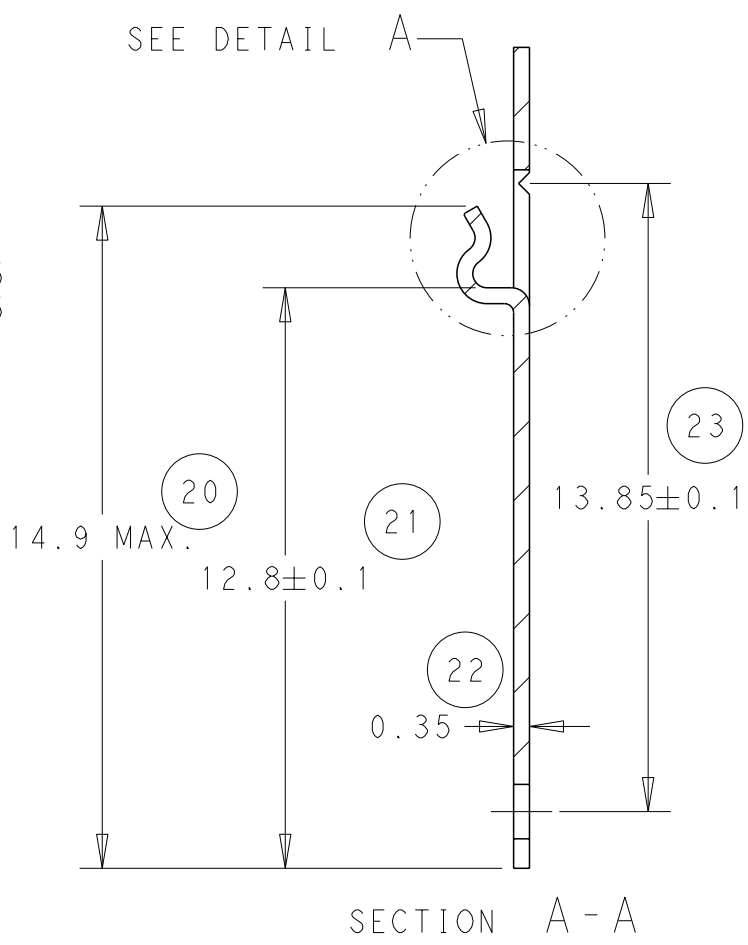
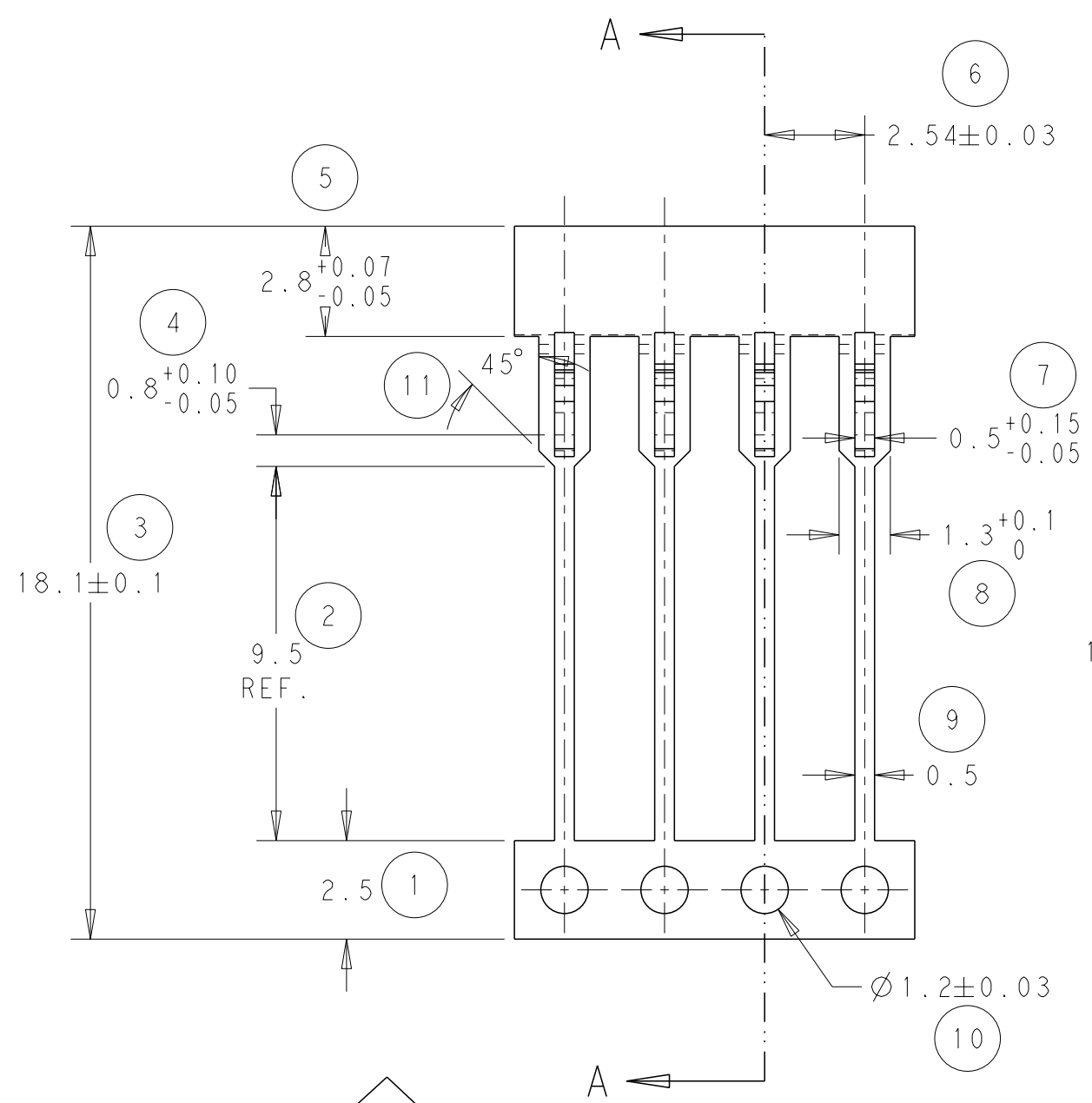
3

2

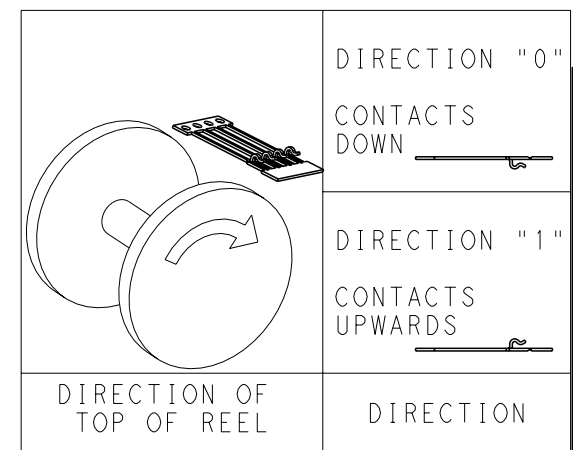
1

THIS DRAWING IS UNPUBLISHED. RELEASED FOR PUBLICATION 2011  
 © COPYRIGHT 2011 TE CONNECTIVITY ALL RIGHTS RESERVED.

LOC	DIST	REVISIONS				
P	LTR	DESCRIPTION	DATE	DWN	APVD	
B	-	F	ECR-11-015005	19/07/11	JB	MG
		G	ECR-11-019621	06/10/11	MJG	JB



NOTE  
 BOWING: AFTER UPPER TIE BAR REMOVAL - 1.5mm MAX. FOR 500mm  
 PITCH: AFTER UPPER TIE BAR REMOVAL - 2.54 ± 0.127



DIRECTION "0" CONTACTS DOWN		THIS DRAWING IS A CONTROLLED DOCUMENT.	
DIRECTION "1" CONTACTS UPWARDS		DIMENSIONS: mm	
DIRECTION		TOLERANCES UNLESS OTHERWISE SPECIFIED:	
		0 PLC ±-	
		1 PLC ±-	
		2 PLC ±0.05	
		3 PLC ±-	
		4 PLC ±-	
		ANGLES ±0.5	
		FINISH -	
MATERIAL SEE ABOVE			

0	Ni & Sn	1544188-1
REELING	FINISH	PART NUMBER
DWN J. BRIGHT 15/07/11	 TE Connectivity NAME SIL CONTACT - -	
CHK M. GREENER 15/07/11		
APVD D. PENNINGTON 15/07/11		
PRODUCT SPEC		
APPLICATION SPEC	SIZE A3	CAGE CODE 00779
WEIGHT -	DRAWING NO C-1544188	RESTRICTED TO -
CUSTOMER DRAWING	SCALE NTS	SHEET 1 OF 1 REV G