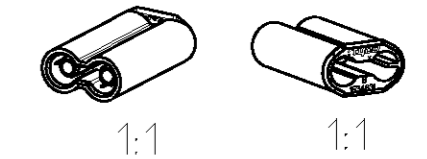
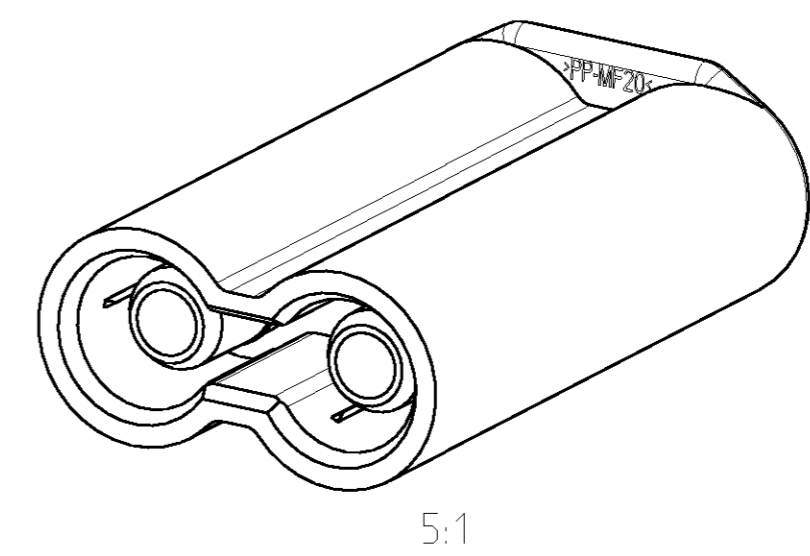
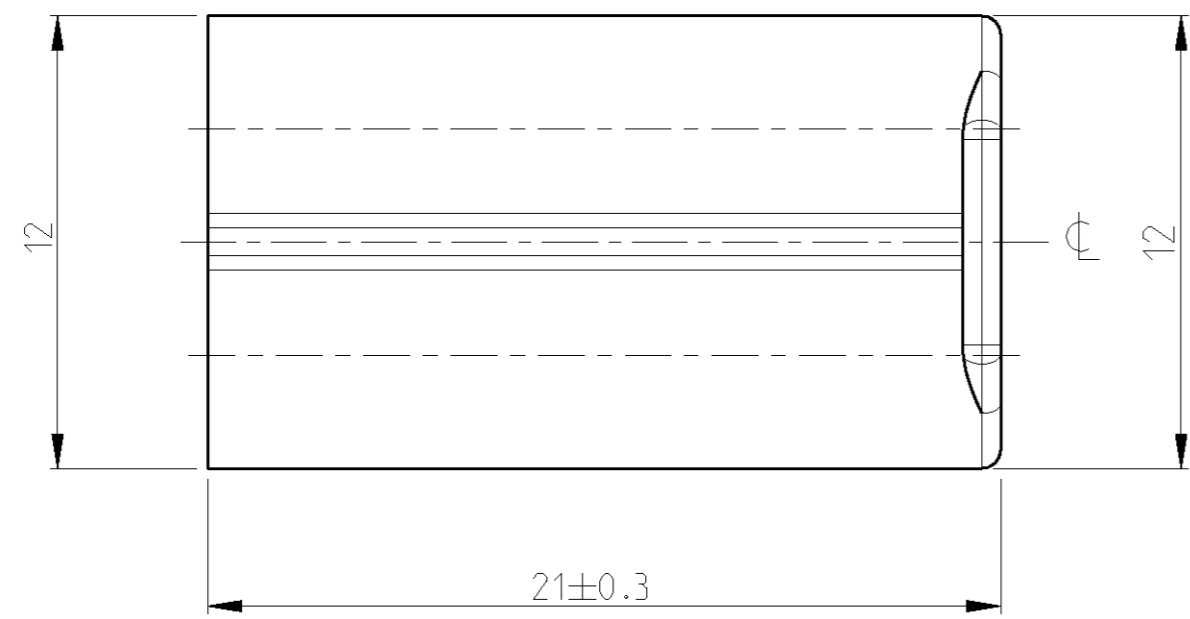
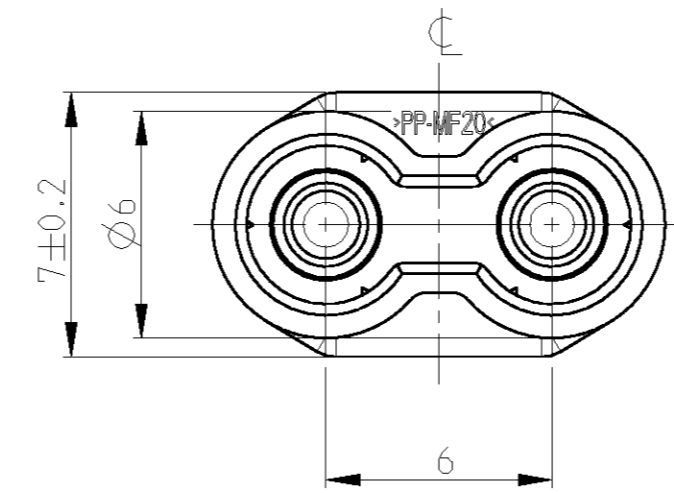
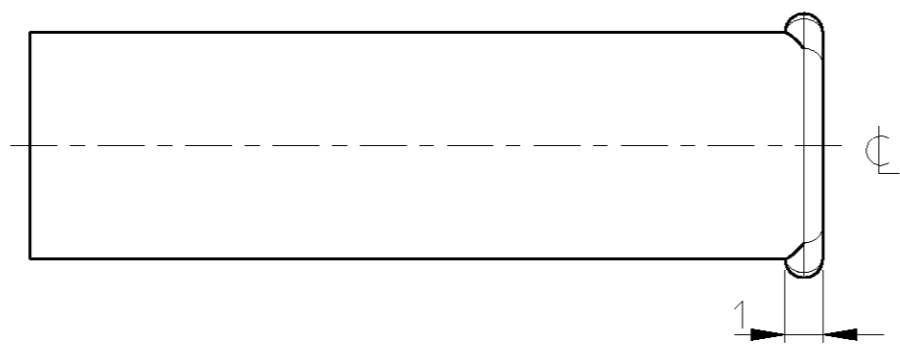


THIS DRAWING IS UNPUBLISHED. RELEASED FOR PUBLICATION 2000  
 © COPYRIGHT 2000 BY TYCO ELECTRONICS CORPORATION. ALL RIGHTS RESERVED.

LOC	DIST	REVISIONS					
		P	LTR	DESCRIPTION	DATE	DWN	APVD
A1	-	D		EGA0 2297 04	18OCT2004	PR	JH
		D1		PN ergänzt	18OCT2004	HA	JH
		D2		Farbbezeichnung	26SEP2006	MW	JH

Bemerkungen  
NOTES

- Laengen: DIN 16901-140  
LENGTH: DIN 16901-140
- Einzelheiten der Ausfuehrung bleiben dem Hersteller ueberlassen  
DETAILS OF DESIGN ARE LEFT TO MANUFACTURER
- Verpackung: Schuettgut im Karton  
PACKAGING: LOOSE PIECE IN CARTON
- Zulaessiger Regeneratanteil max. 50%  
RECYCLED MATERIAL MAX. 50% PERMISSIBLE
- Massgebend ist der deutsche Text  
ONLY THE GERMAN LANGUAGE SHALL BE BINDING
- Passend zu Pigtail: PN 959135 (Beispiel)  
SUITABLE FOR Pigtail: PN 959135 (EXAMPLE)



PART NO	REV	DESCRIPTION	WEIGHT (g)	VOLUME (mm <sup>3</sup> )	COLOUR	ITEM NO
0-1534631-7	A	Pigtail Schutzkappe Pigtail cover cap	0,64	656	staubgrau/dusty grey Like RAL7037	7
0-1534631-6	A	Pigtail Schutzkappe Pigtail cover cap	0,64	656	braunbeige/brown beige Like RAL1011	6
0-1534631-5	A	Pigtail Schutzkappe Pigtail cover cap	0,64	656	zinkgelb/zinc yellow Like RAL1018	5
0-1534631-4	A	Pigtail Schutzkappe Pigtail cover cap	0,64	656	gelbgruen/yellow green Like RAL6018	4
0-1534631-3	A	Pigtail Schutzkappe Pigtail cover cap	0,64	656	natur/nature	3
0-1534631-2	A	Pigtail Schutzkappe Pigtail cover cap	0,64	656	blau/blue RAL 5012 704808-1 with 4/1041	2
0-1534631-1	B	Pigtail Schutzkappe Pigtail cover cap	0,64	656	tiefschwarz/jet black Like RAL9005	1

REVISION OF EACH ASSY NO (WHEN BLANK, USE DWG REVISION)

PARTS LIST

D2

DIMENSIONS: mm		TOLERANCES UNLESS OTHERWISE SPECIFIED: 1 PLC ± 2 PLC ± 3 PLC ± 4 PLC ± ANGLES ±°		DWN P.Riedel 04FEB2002 CHK J.Hahn 06FEB2002 APVD - PRODUCT SPEC 108-18850 APPLICATION SPEC - WEIGHT 0,71 g	<b>tyco</b> <b>Electronics</b> tyco Electronics AMP GmbH D - 64625 Bensheim
MATERIAL PP-MF20		FINISH -		NAME MOST Pigtail Schutzkappe MOST Pigtail dust cover	SIZE A2 CAGE CODE 00779 DRAWING NO C-1534631 RESTRICTED TO -
CUSTOMER DRAWING				SCALE 5:1	SHEET 1 OF 1 REV D2