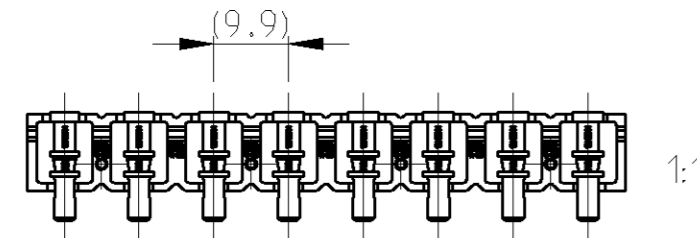
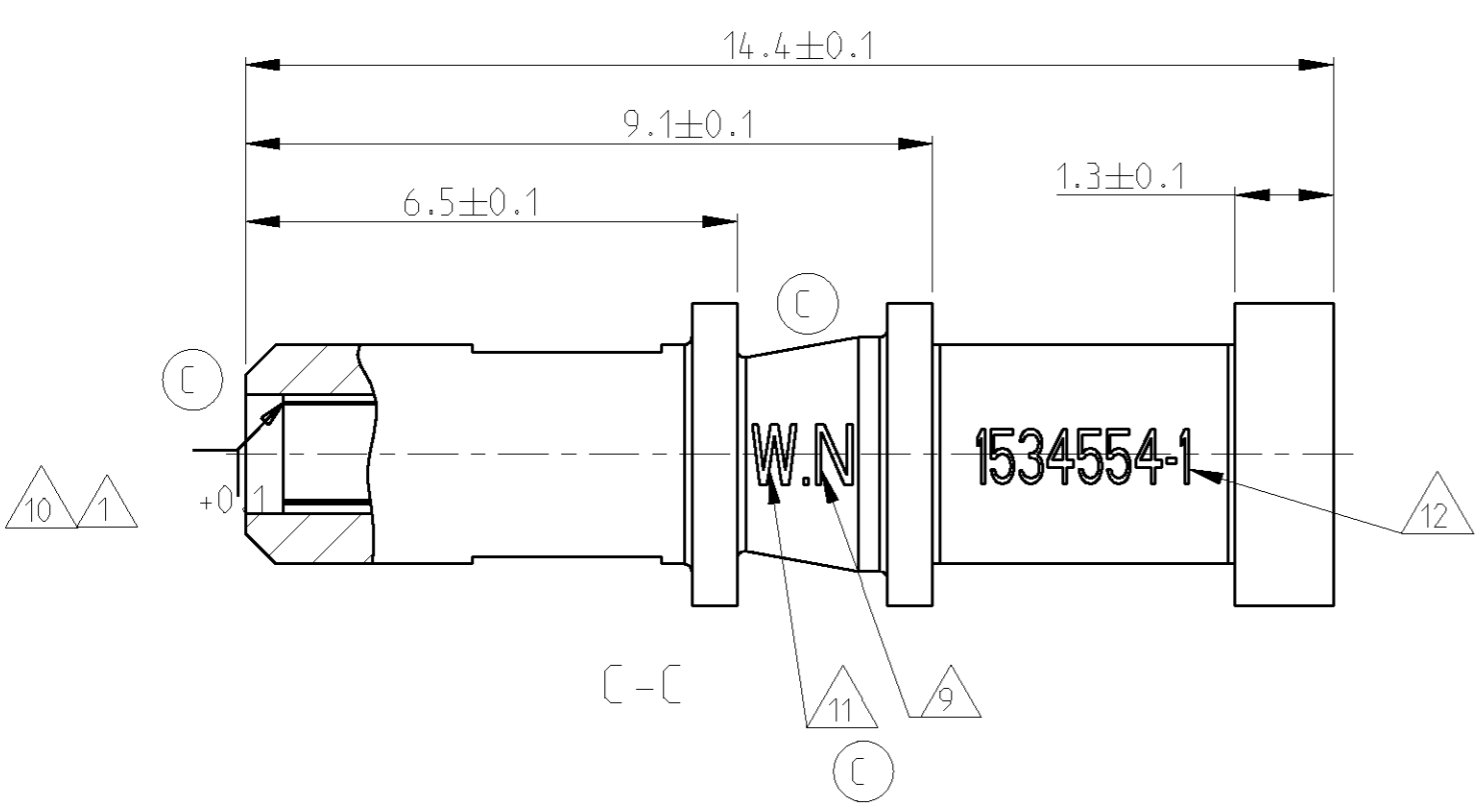
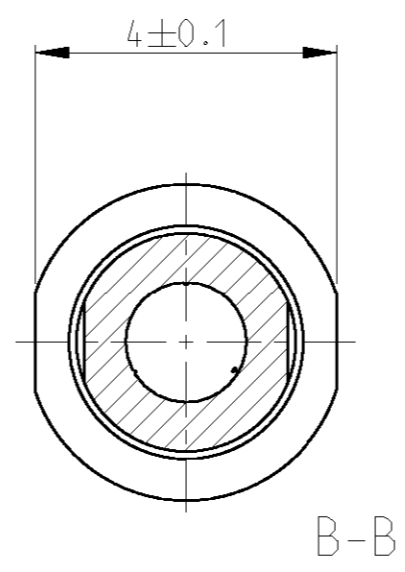
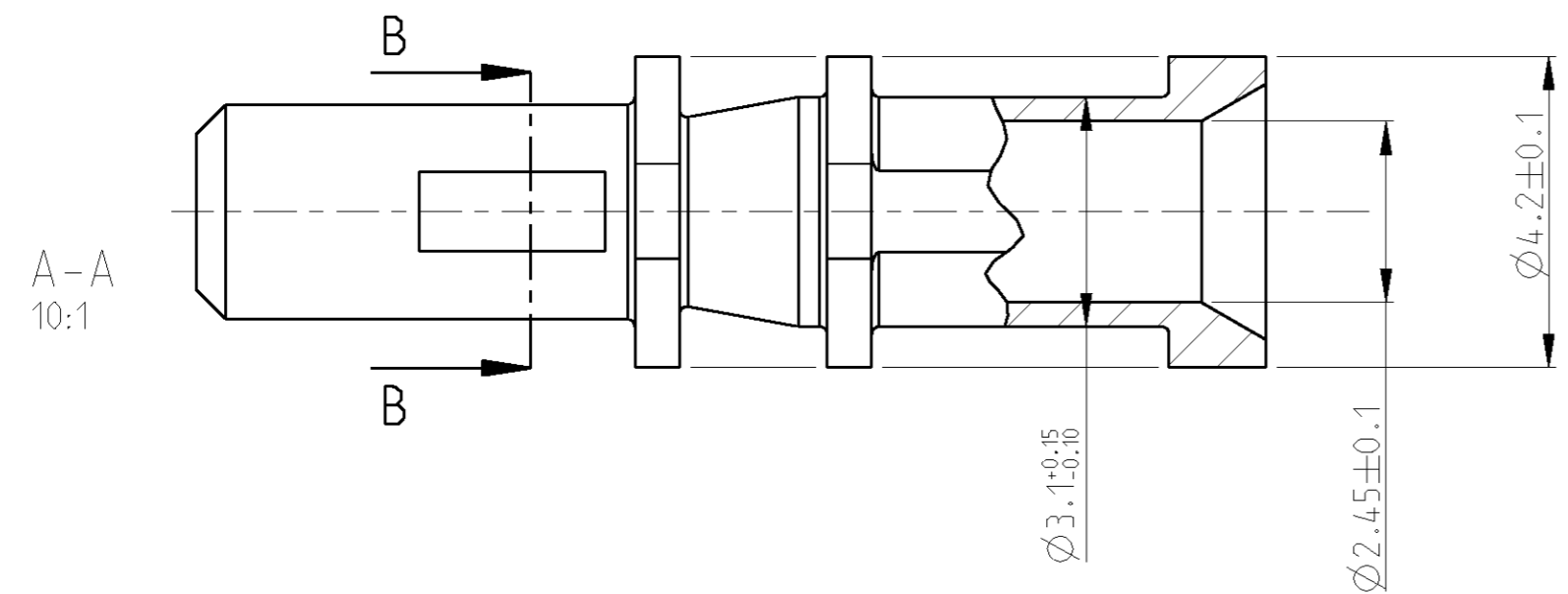
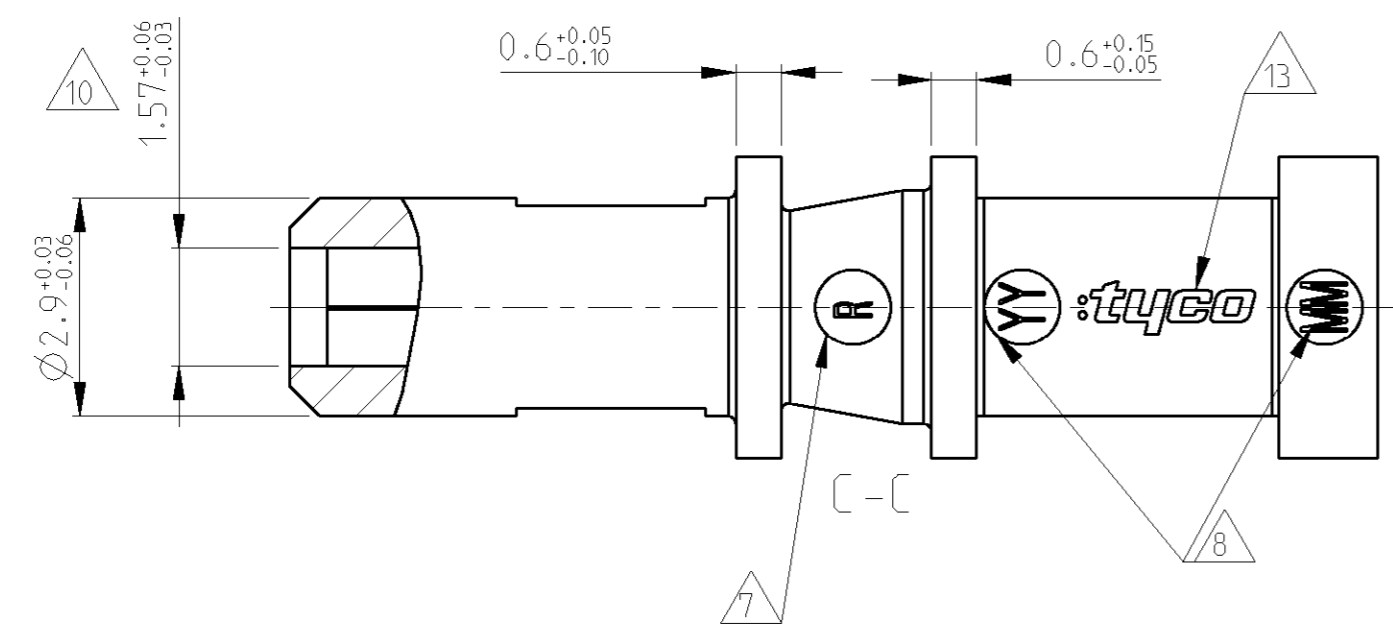


THIS DRAWING IS UNPUBLISHED. RELEASED FOR PUBLICATION 2000
 © COPYRIGHT 2000 BY TYCO ELECTRONICS CORPORATION. ALL RIGHTS RESERVED.

LOC	DIST	REVISIONS					
A1	-	P	LTR	DESCRIPTION	DATE	DWN	APVD
		C1		EGA0-2529-04 part changed to fit tool	12NOV2004	TK	JH



V = 66.6 mm³ (0.08 g)
 (PER LOOSE PIECE)
 (pro Kontakt)

NOTES

Bemerkungen

- 1 MAX. THICKNESS OF BURR 0.03 mm
Max. Dicke der Spritzhaut 0.03 mm
- 2 SUITABLE FOR POF ACCORDING TO TYCO-SPEC. 108-18673 WITH
passend fuer POF nach Tyco-Spec. 108-18673 mit
- INNER JACKET DIAMETER (Innenmantel) $\varnothing 1.51 \pm 0.04$
- OUTER JACKET DIAMETER (Aussenmantel) $\varnothing 2.3 \pm 0.07$
- 3 PACKAGING: ON REEL
Verpackung: am Band
- 4 DETAILS OF DESIGN ARE LEFT TO THE MANUFACTURER
Einzelheiten der Ausfuehrung bleiben dem Hersteller ueberlassen
- 5 ONLY THE GERMAN LANGUAGE SHALL BE BINDING
Massgebend ist nur der Deutsche Text
- 6 MATING PART: 0-1534555-1
Passend zu: 0-1534555-1
- 7 REVISION MARK
Revisionskennzeichnung
- 8 DATE CODE
Datumskennzeichnung
- 9 CAVITY MARK
Nestkennzeichnung
- 10 BURR HAS TO BE ADDED TO THE DIAMETER
Grat kommt zum Durchmesser hinzu
- 11 TOOL MARK
Werkzeugkennzeichnung
- 12 PART NUMBER
Teilenummer
- 13 TYCO LOGO
Tyco Logo

0-1534554-1	C	-	-
TYCO PART NO. STRIP FORM	REV.	TYCO PART NO. LOOSE PIECE	REV.

<small>THIS DRAWING IS A CONTROLLED DOCUMENT FOR TYCO ELECTRONICS CORPORATION IT IS SUBJECT TO CHANGE AND THE CONTROLLING ENGINEERING ORGANIZATION SHOULD BE CONTACTED FOR THE LATEST REVISION.</small>		DWN T. Krahn 17 JAN 2002 CHK J. Hahn 17 JAN 2002 APVD -	tyco Electronics tyco Electronics AMP GmbH D - 64625 Bensheim
DIMENSIONS: mm		PRODUCT SPEC 108-18698 APPLICATION SPEC 114-18322 WEIGHT 0.08g	NAME fiber optic contact, male Stiftkontakt SIZE A2 CAGE CODE 00779 DRAWING NO. C-1534554 RESTRICTED TO -
TOLERANCES UNLESS OTHERWISE SPECIFIED: 0 PLC ± 1 PLC ± 2 PLC ± DIN 3 PLC ± 16901-140 4 PLC ± ANGLES ±° FINISH -		MATERIAL PA12GB30	SCALE 5:1 SHEET 1 OF 1 REV C1