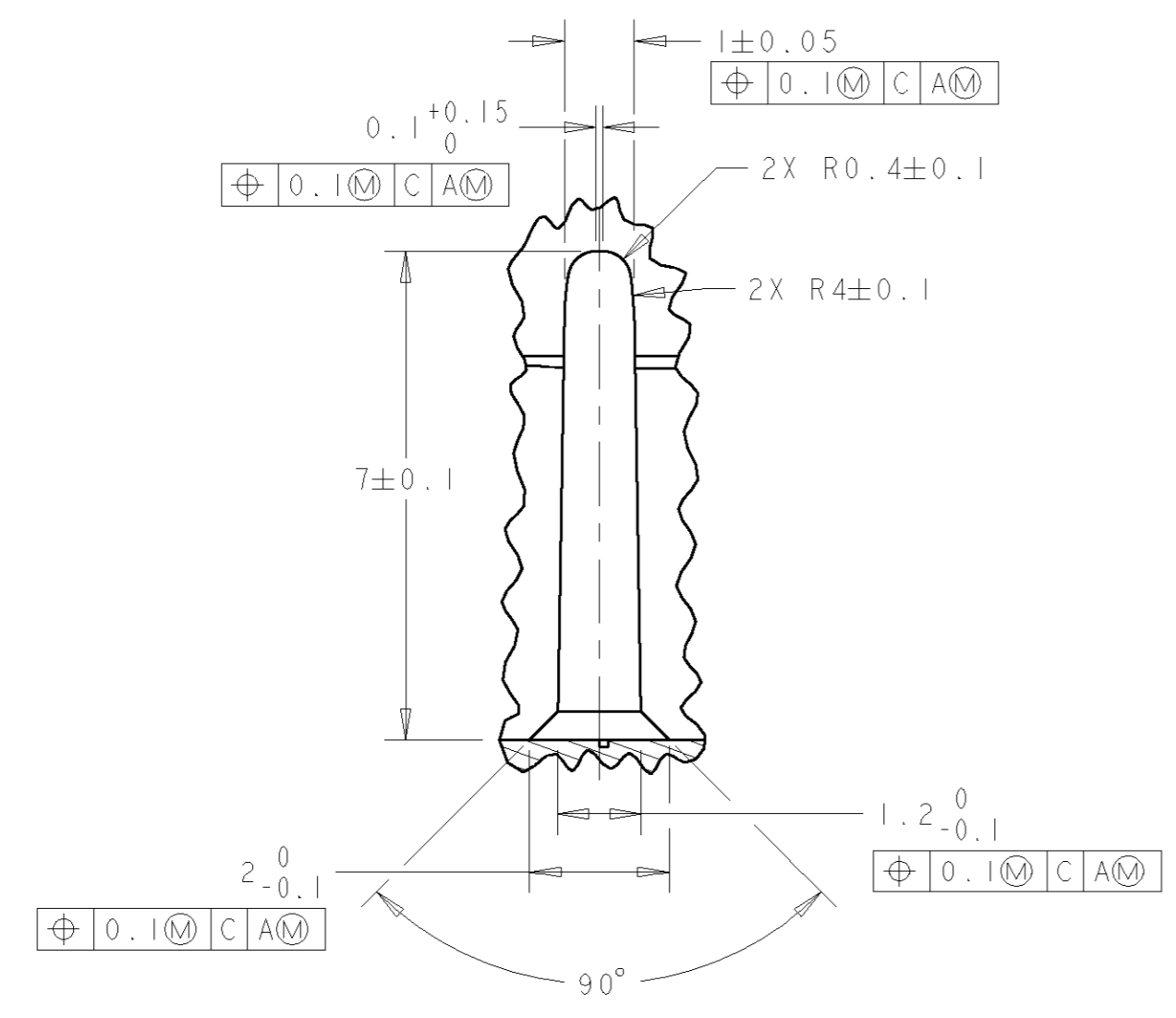
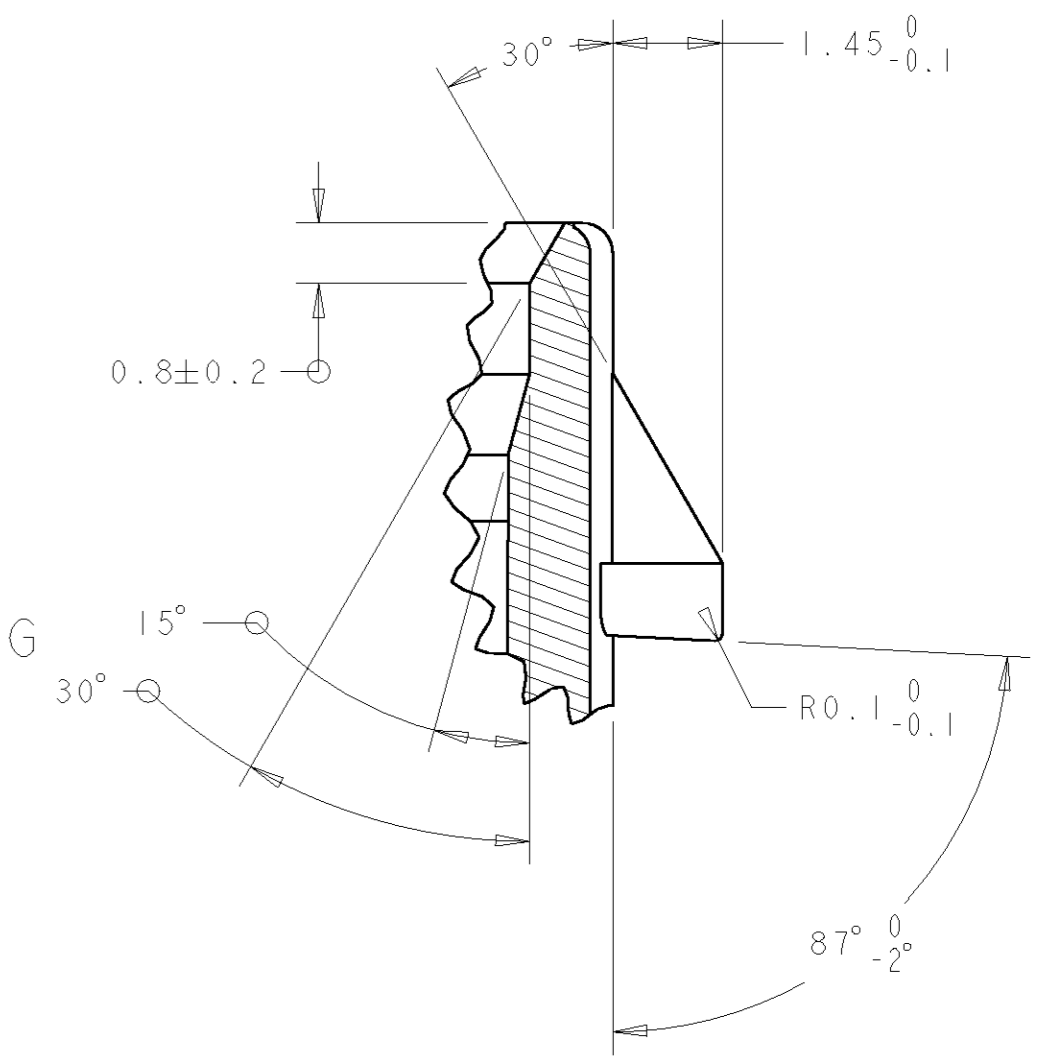
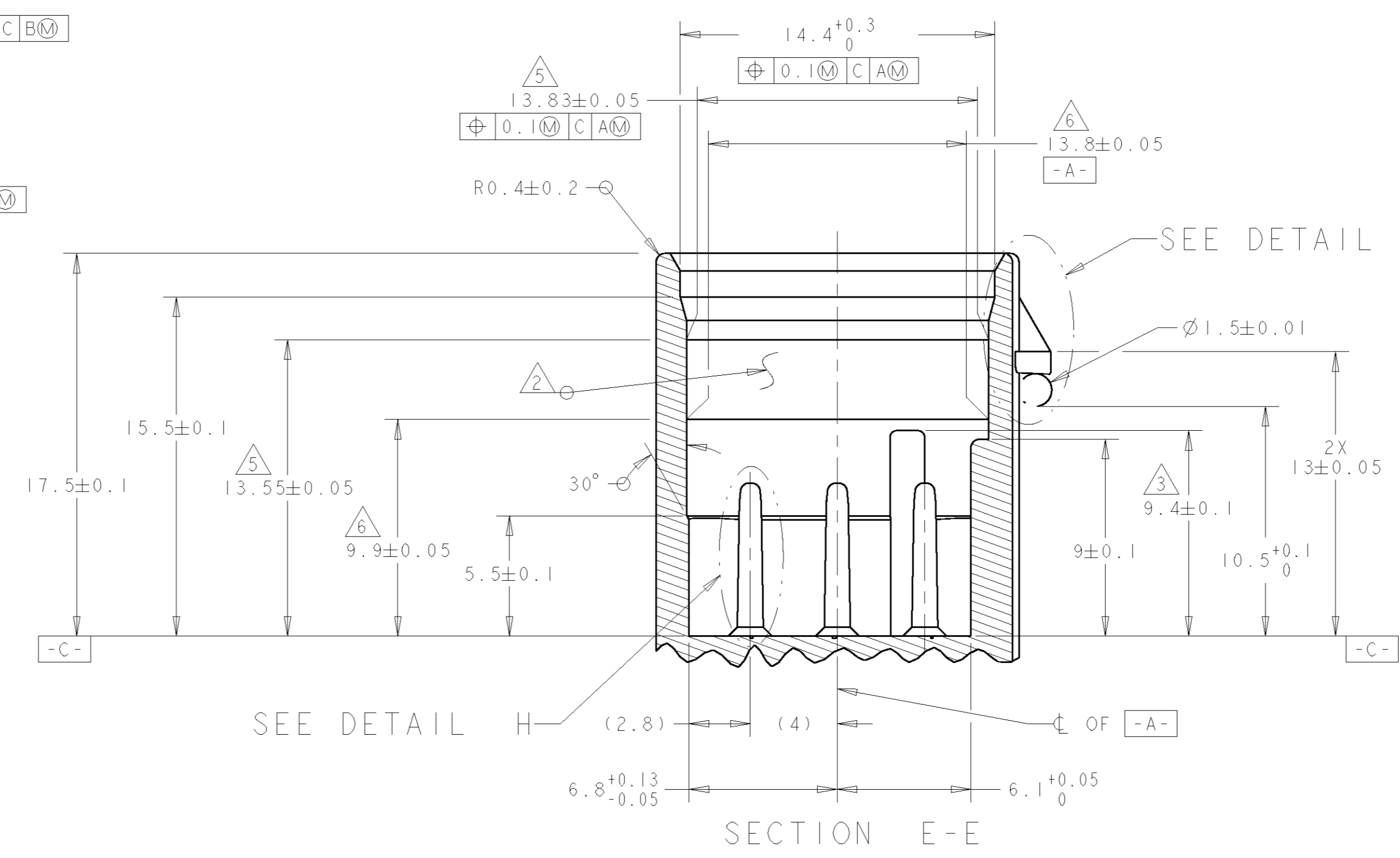
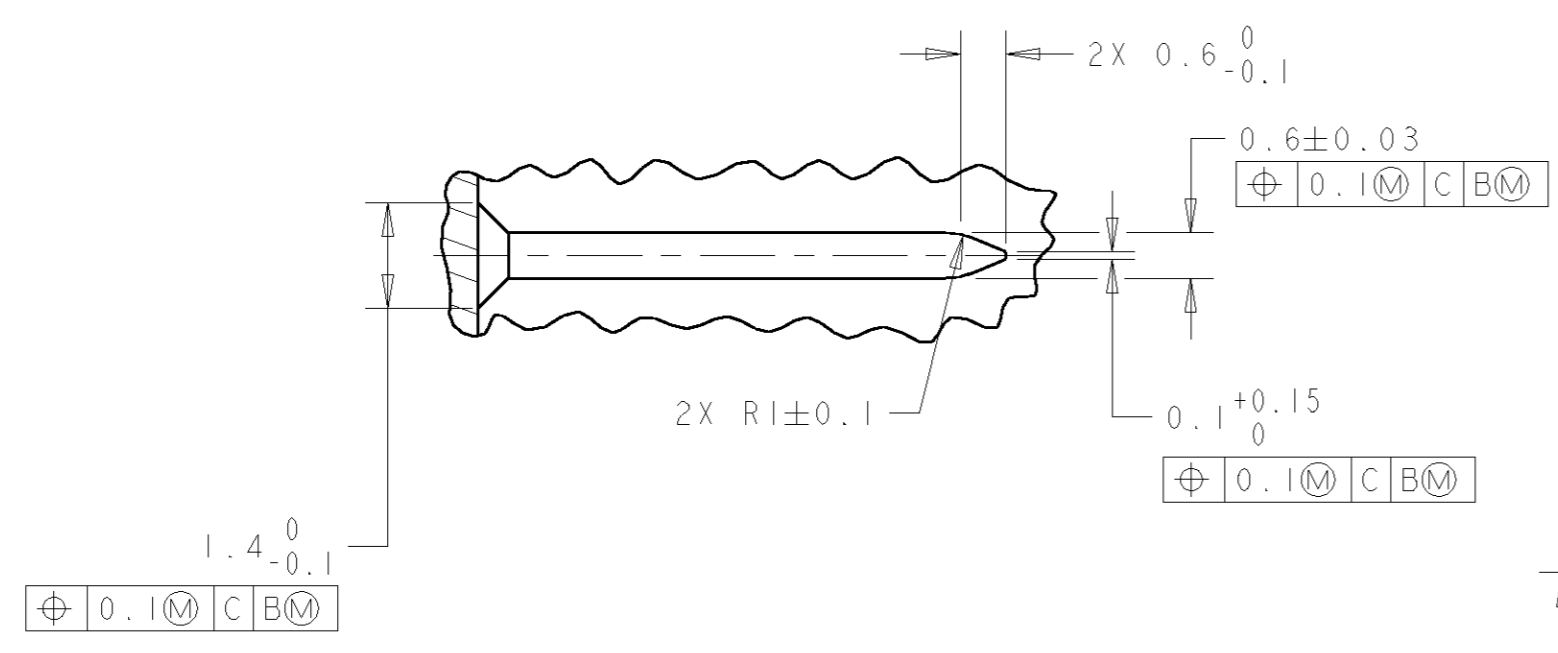
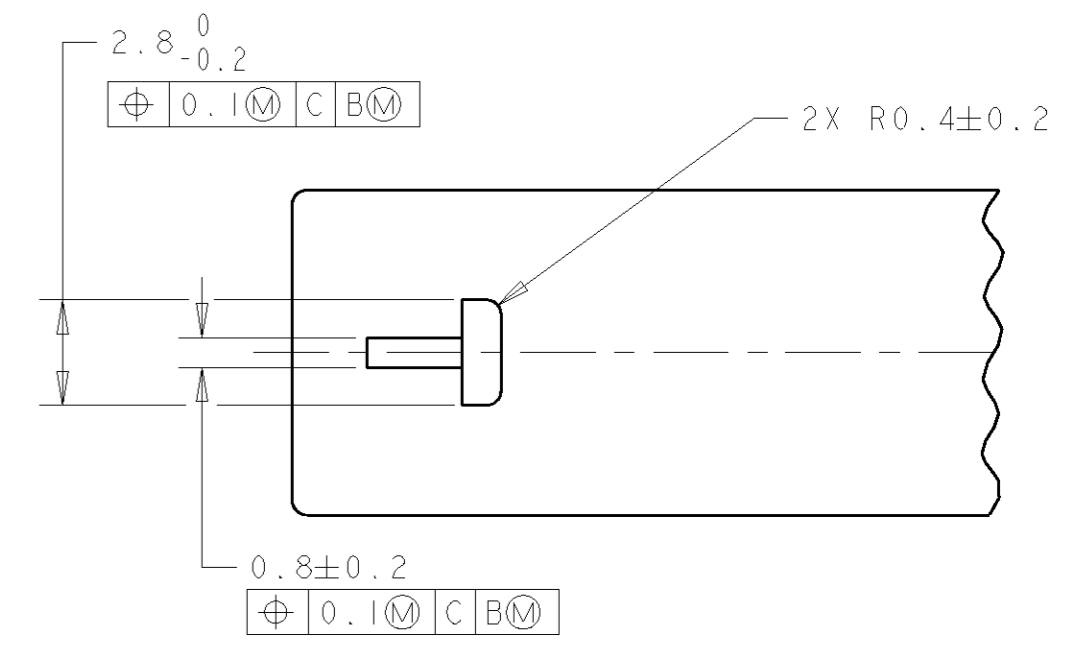
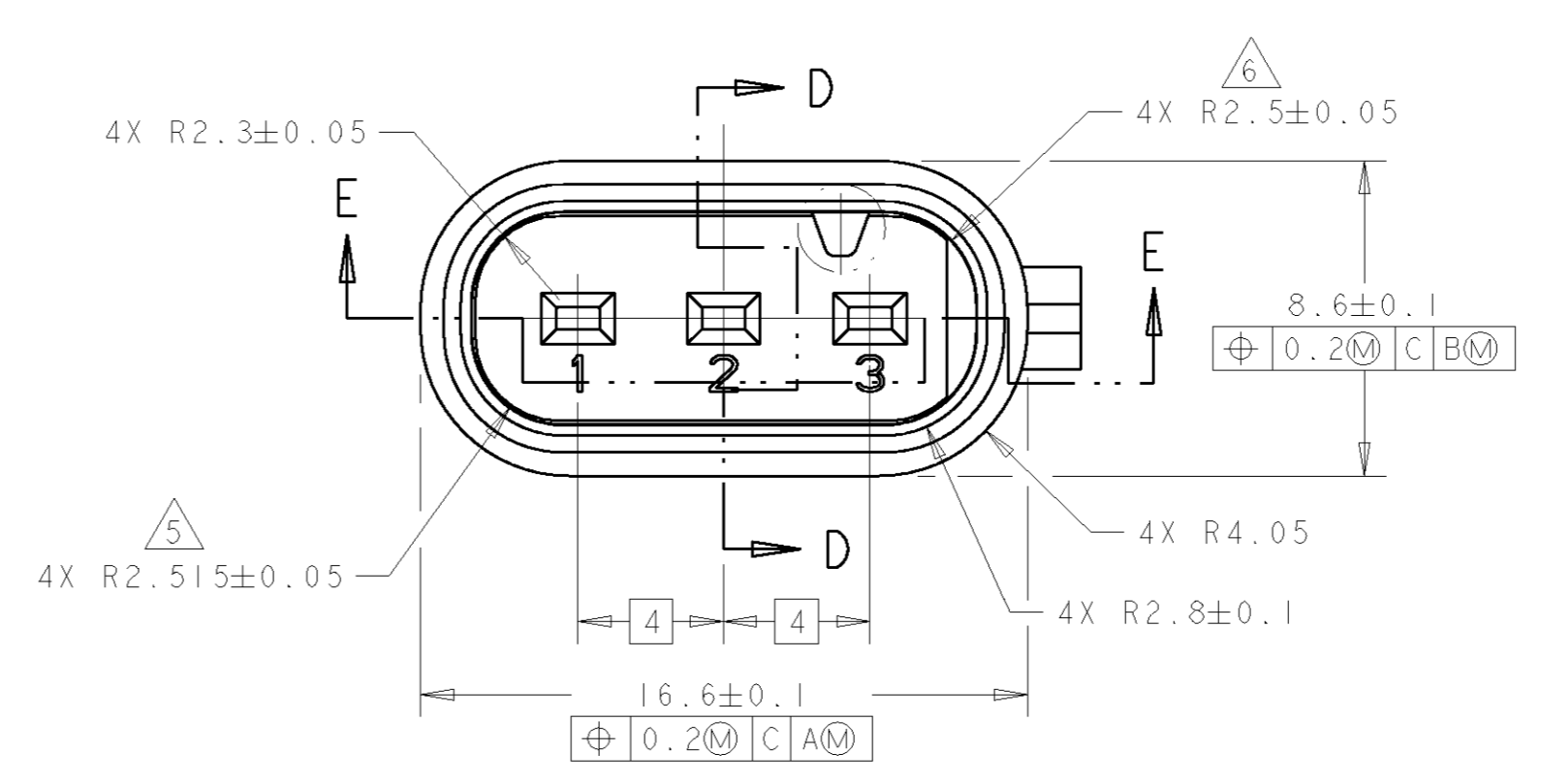
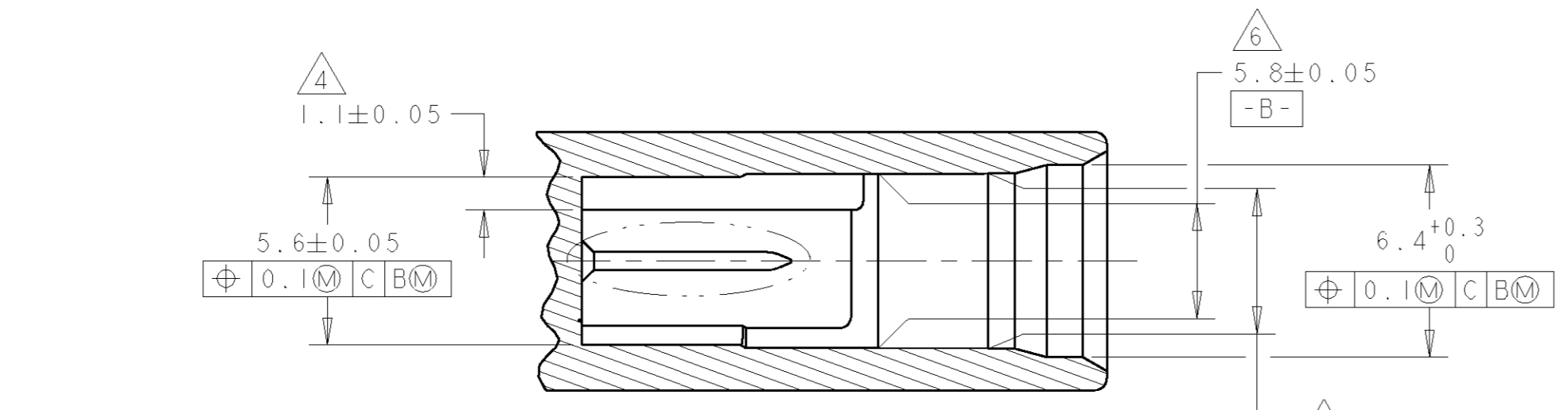
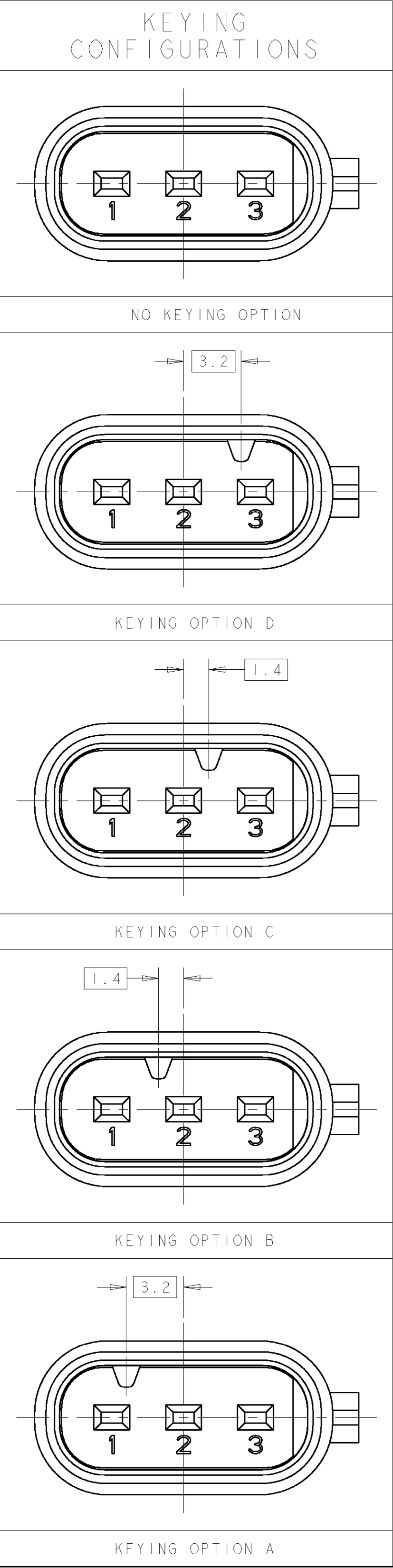
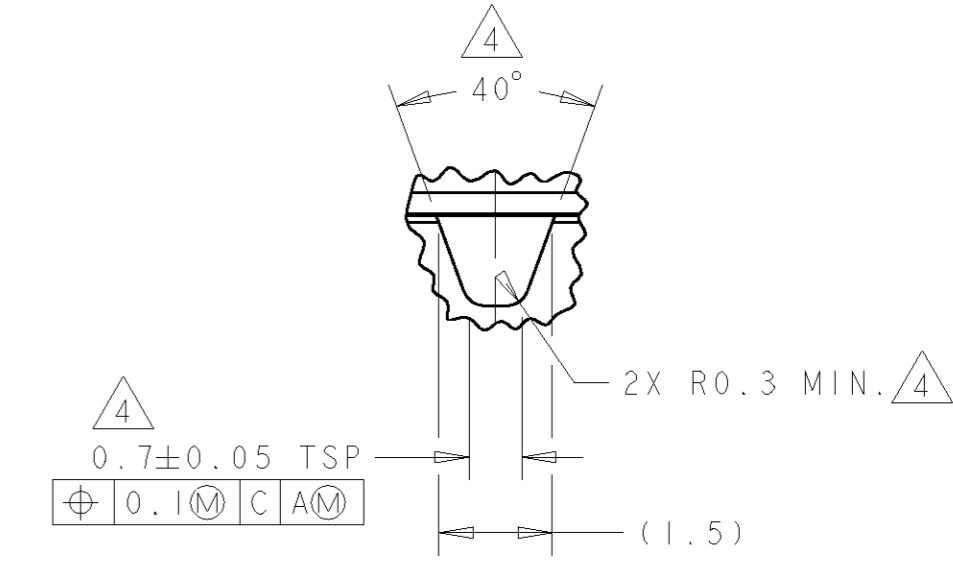
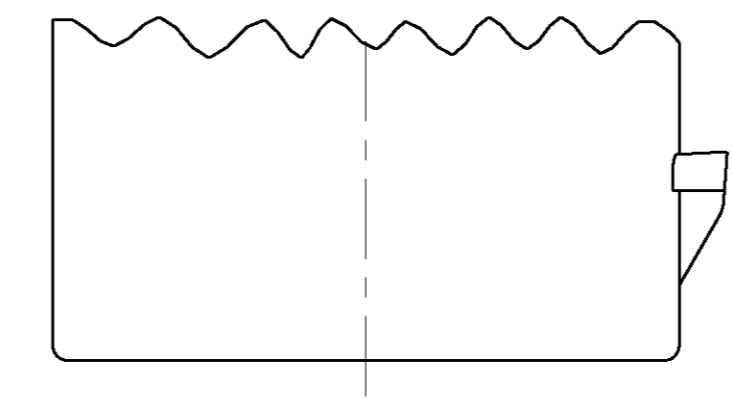
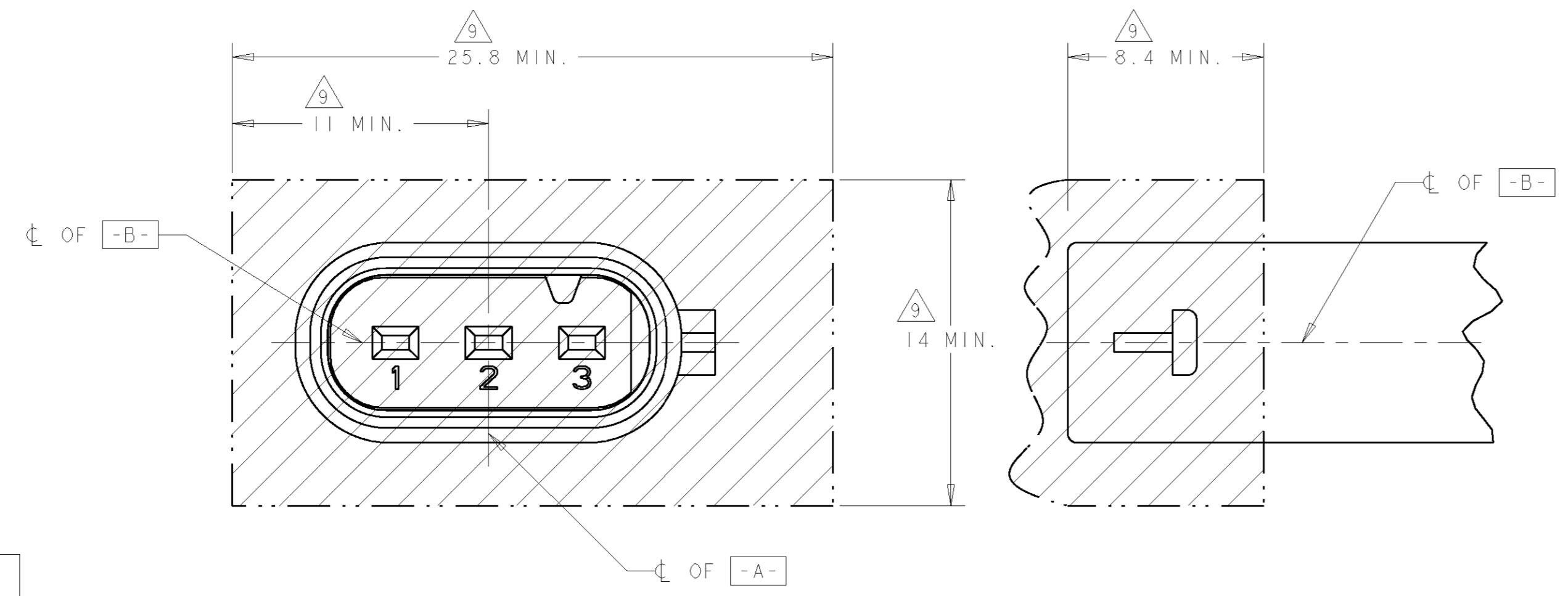


REVISONS		DATE	DWN	APPR
1	PROPOSED	28MAY2003	KF	GM
2	RE-DRAWN AND CHANGED THE CONNECTOR	31MAR2004	MFF	GM
3	LATCH DESIGN FROM "U" SHAPE TO "T" SHAPE			
4	RELEASED PER EC DK01-0063-04	29APR2004	MFF	GM



DIMENSIONS:		TOLERANCES UNLESS OTHERWISE SPECIFIED:		DWN: R. FOLTZ 28MAY2003		tyco Tyco Electronics	
mm	0 PLC ±0.5	1 PLC ±0.13	2 PLC ±0.13	3 PLC ±0.13	4 PLC ±0.13	29MAY2003	Harrisburg, PA 17105-3608
ANGLES	±0°0'			APPR: G. MARTIN 29MAY2003		NAME: INTERFACE DRAWING	
MATERIAL	FINISH			PRODUCT SPEC		3 POSITION SEALED, 1.2mm	
CUSTOMER DRAWING				APPLICATION SPEC		LOW PROFILE VERSION	
SCALE: 5:1				SIZE: A1		DRAWING NO: 00779	
SHEET 1 OF 1				REV: 0		CAGE CODE: C=1488788	