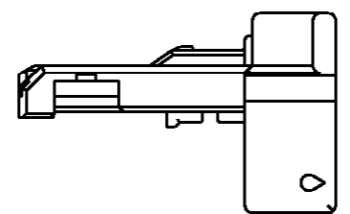
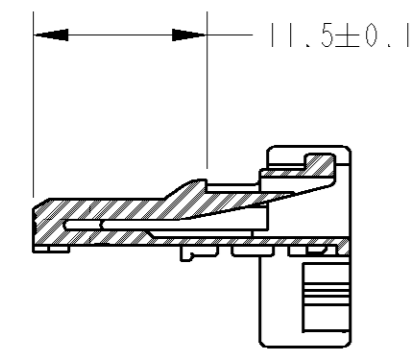
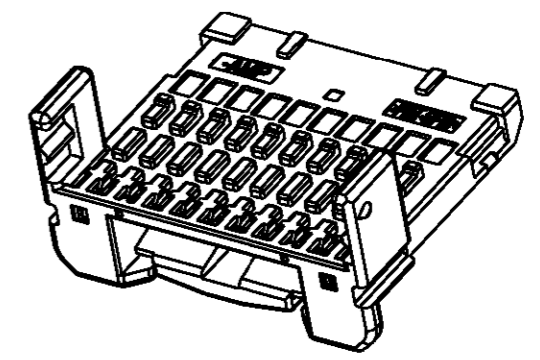
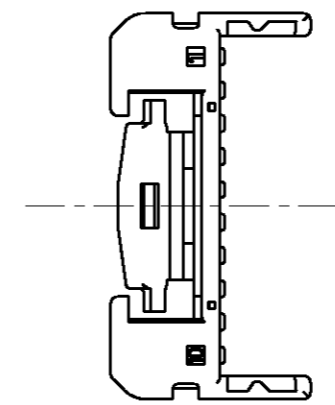
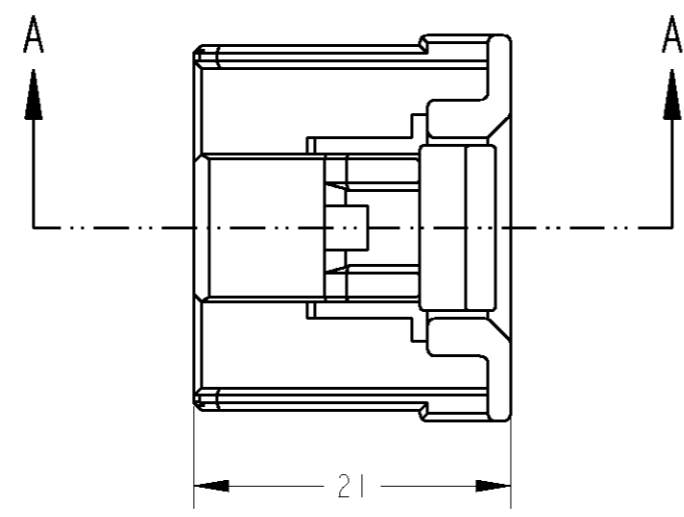
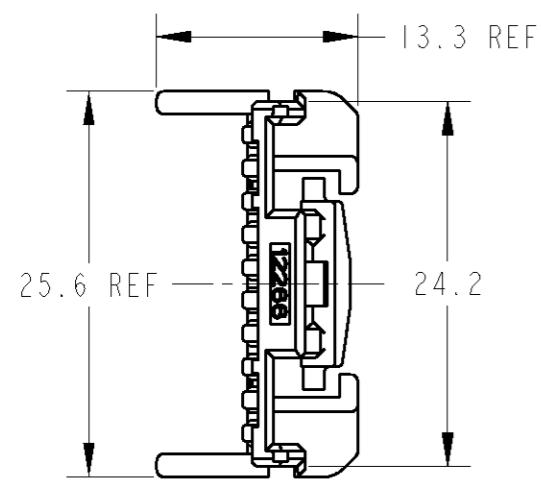


THIS DRAWING IS UNPUBLISHED. RELEASED FOR PUBLICATION 20
 © COPYRIGHT 20 BY TYCO ELECTRONICS CORPORATION. ALL RIGHTS RESERVED.

| LOC | DIST | REVISIONS | | | | | | |
|-----|------|-----------|-----|-------------|--------------|---------|-----|------|
| | | P | LTR | DESCRIPTION | ECN | DATE | DWN | APVD |
| J | | 0 | | RELEASED | FJ00-2067-01 | 10OCT01 | SA | NS |
| | | | | | | | | |
| | | | | | | | | |



- 1. 本品はプラグハウジング型番 1473807を装着して使用する。
- 2. 取扱説明書; 411-5912
- 3. 嵌合相手型番; 1473750

- 1. PLUG HOUSING MUST BE USED WITH LOCK HOUSING P/N:1473807
- 2. INSTRUCTION SHEET No; 411-5912
- 3. PART NUMBER OF HOUSINGS TO BE MATED; 1473750

| | |
|---------------|-------------|
| NATURAL | 1473808-1 |
| HOUSING COLOR | PART NUMBER |

| | | | | |
|---|-----|----------------------|-----------|--|
| THIS DRAWING IS A CONTROLLED DOCUMENT FOR TYCO ELECTRONICS CORPORATION IT IS SUBJECT TO CHANGE AND THE CONTROLLING ENGINEERING ORGANIZATION SHOULD BE CONTACTED FOR THE LATEST REVISION. | | DWN S. AMEMIYA | 10OCT01 | Tyco Electronics AMP K.K. Kawasaki, Japan |
| DIMENSIONS: 単位: 毫 mm | | CHK N. SAI | 10OCT01 | |
| TOLERANCES UNLESS OTHERWISE SPECIFIED: 一般公差; ±0.3 | | APVD N. SAI | 10OCT01 | |
| 0-PLC ± 1-PLC ±0.1 2-PLC ±0.01 3-PLC ±0.001 4-PLC ±0.0001 ANGLES ±3'00" | | PRODUCT SPEC 製品規格 | 108-5660 | |
| MATERIAL 材料 | PBT | FINISH 仕上 | SEE TABLE | APPLICATION SPEC 取付適用規格 |
| | | WEIGHT | 1.6 g | NAME 名称 |
| | | CUSTOMER DRAWING | | 20POSITION LOCK HOUSING 025 IDC CONNECTOR |
| | | SIZE | A3 | RESTRICTED TO |
| | | CAGE CODE | 00779 | |
| | | DRAWING NO | 1473808 | |
| | | SCALE | 2:1 | |
| | | SHEET | 1 | |
| | | OF | 1 | |
| | | REV | 0 | |