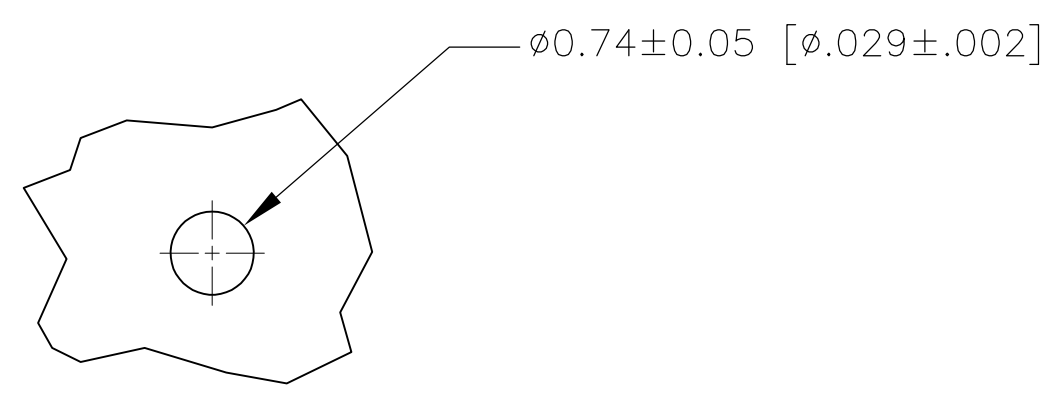
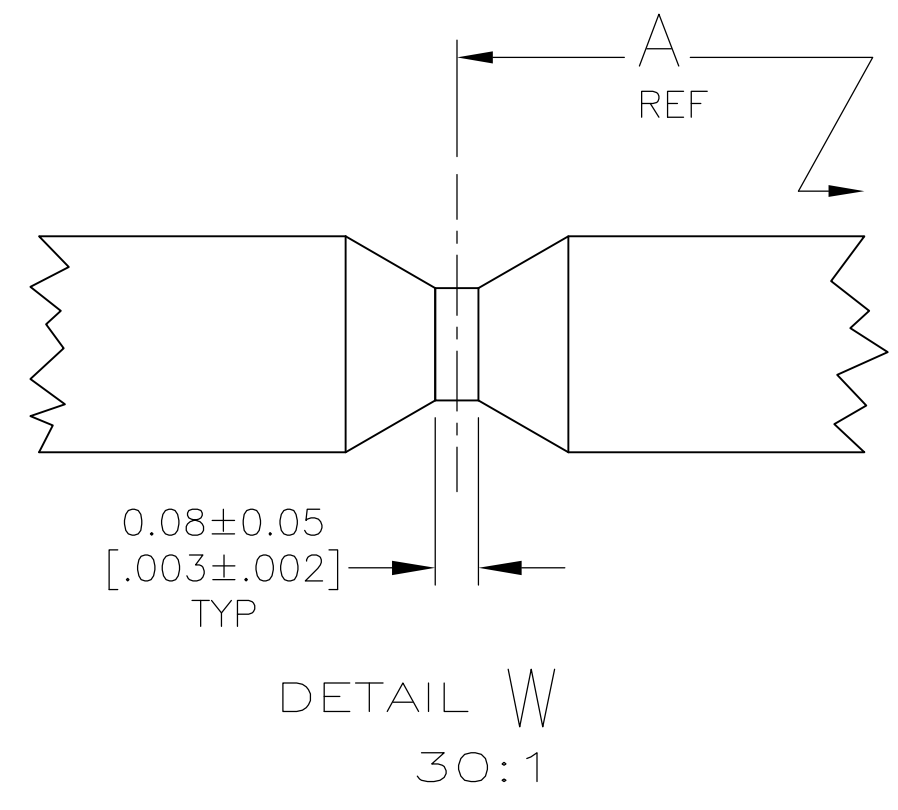
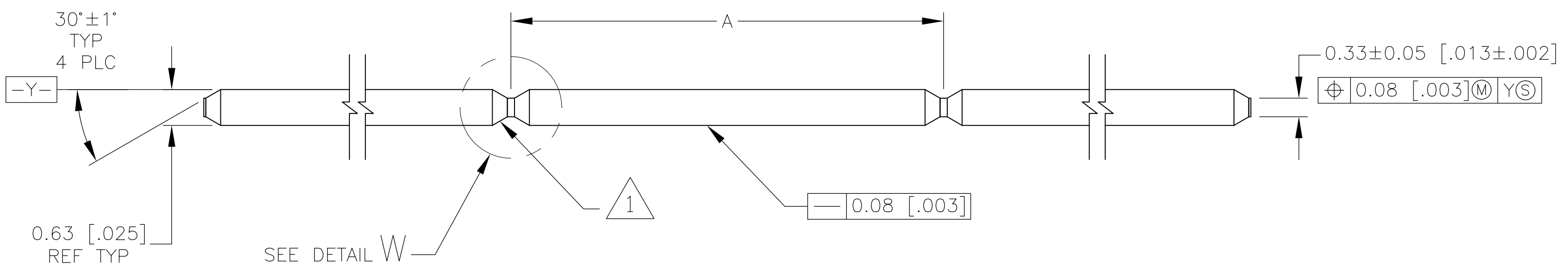


THIS DRAWING IS UNPUBLISHED. RELEASED FOR PUBLICATION
 © COPYRIGHT BY TYCO ELECTRONICS CORPORATION. ALL RIGHTS RESERVED.

LOC	DIST	REVISIONS					
		P	LTR	DESCRIPTION	DATE	DWN	APVD
AD	00		B	ECO-07-021031	11SEP07	MB	JG
			B1	REVISED PER ECO-09-020689	22AUG09	KK	AEG



RECOMMENDED PC BOARD
TIN-PLATED HOLE SIZE

- 1 THE NOTCHED EDGES AND POST TIPS WILL NOT BE PLATED.
- 2 0.00076 [.000030] GOLD OVER 0.00127 [.000050] NICKEL.
- 3 MATERIAL: COPPER ALLOY.
- 4 OBSOLETE PARTS: OBSOLETE CIS STREAMLINING PER D.RENAUD/D.SINISI

25.40	[1.000]	6-147335-1
25.15	[.990]	6-147335-0
24.89	[.980]	5-147335-9
24.64	[.970]	5-147335-8
24.38	[.960]	5-147335-7
24.13	[.950]	5-147335-6
23.88	[.940]	5-147335-5
23.62	[.930]	5-147335-4
23.37	[.920]	5-147335-3
23.11	[.910]	5-147335-2
22.86	[.900]	5-147335-1
22.61	[.890]	5-147335-0
22.35	[.880]	4-147335-9
22.10	[.870]	4-147335-8
21.84	[.860]	4-147335-7
21.59	[.850]	4-147335-6
21.34	[.840]	4-147335-5
21.08	[.830]	4-147335-4
20.83	[.820]	4-147335-3
20.57	[.810]	4-147335-2
20.32	[.800]	4-147335-1
20.07	[.790]	4-147335-0
19.81	[.780]	3-147335-9
19.56	[.770]	3-147335-8
19.30	[.760]	3-147335-7
19.05	[.750]	3-147335-6
18.80	[.740]	3-147335-5
18.54	[.730]	3-147335-4
18.28	[.720]	3-147335-3
18.03	[.710]	3-147335-2
17.78	[.700]	3-147335-1
17.53	[.690]	3-147335-0
17.27	[.680]	2-147335-9
17.02	[.670]	2-147335-8
16.76	[.660]	2-147335-7
16.51	[.650]	2-147335-6
16.26	[.640]	2-147335-5
16.00	[.630]	2-147335-4
15.75	[.620]	2-147335-3
15.49	[.610]	2-147335-2
15.24	[.600]	2-147335-1
14.99	[.590]	2-147335-0
14.73	[.580]	1-147335-9
14.48	[.570]	1-147335-8
14.22	[.560]	1-147335-7
13.97	[.550]	1-147335-6
13.72	[.540]	1-147335-5
13.46	[.530]	1-147335-4
13.21	[.520]	1-147335-3
12.95	[.510]	1-147335-2
12.70	[.500]	1-147335-1
12.45	[.490]	1-147335-0
12.19	[.480]	147335-9
11.94	[.470]	147335-8
11.68	[.460]	147335-7
11.43	[.450]	147335-6
11.18	[.440]	147335-5
10.92	[.430]	147335-4
10.67	[.420]	147335-3
10.41	[.410]	147335-2
10.16	[.400]	147335-1
A		PART NUMBER

THIS DRAWING IS A CONTROLLED DOCUMENT.		DWN B. HAYMAKER	06MAR00	Tyco Electronics Corporation Harrisburg, PA 17105-3608	
DIMENSIONS: INCHES		CHK J. GESFORD	06MAR00	NAME 0.64 [.025] SQ CONTINUOUS POST	
TOLERANCES UNLESS OTHERWISE SPECIFIED:		APVD J. GESFORD	06MAR00	PRODUCT SPEC -	
0 PLC ± -		APPLICATION SPEC 114-13011		SIZE A2	CAGE CODE 00779
1 PLC ± -		WEIGHT -		DRAWING NO 147335	RESTRICTED TO -
2 PLC ± -		MATERIAL -		SCALE 15:1	
3 PLC ± 0.13[.005]		FINISH -		SHEET 1 OF 1	
4 PLC ± -		CUSTOMER DRAWING		REV B1	
ANGLES ± -					
-					