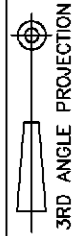


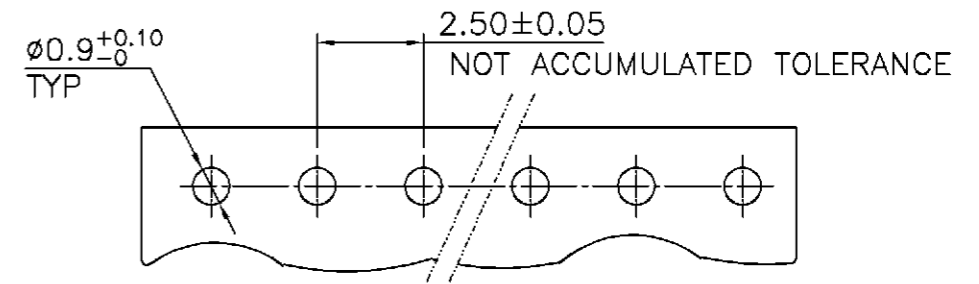
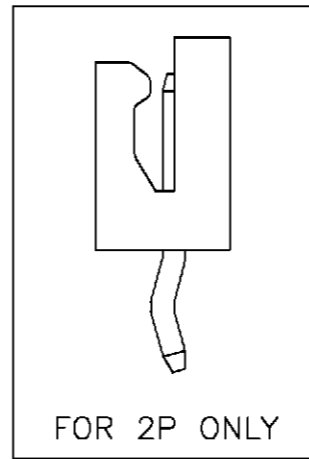
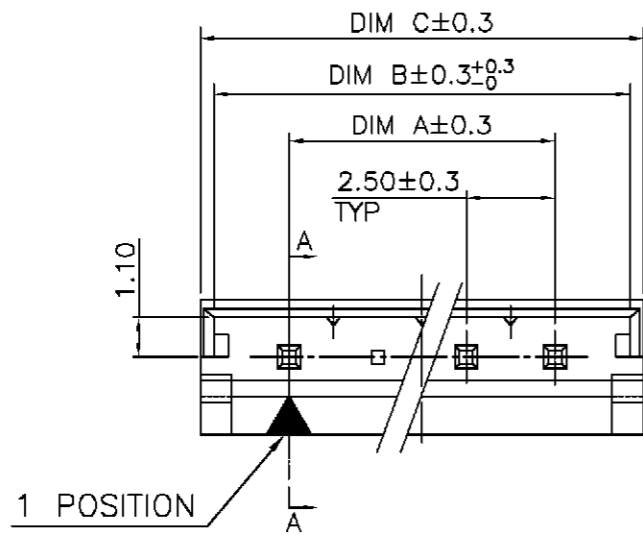
NUMBER
C-1470772



METRIC

THIS INFORMATION IS CONFIDENTIAL AND IS DISCLOSED TO YOU ON CONDITION THAT NO FURTHER DISCLOSURE IS MADE BY YOU TO OTHER THAN AMP PERSONNEL WITHOUT WRITTEN AUTHORIZATION FROM AMP (TAIWAN) LTD. DIMENSIONS IN MILLIMETERS. DO NOT SCALE PRINT.

PRINT
DW

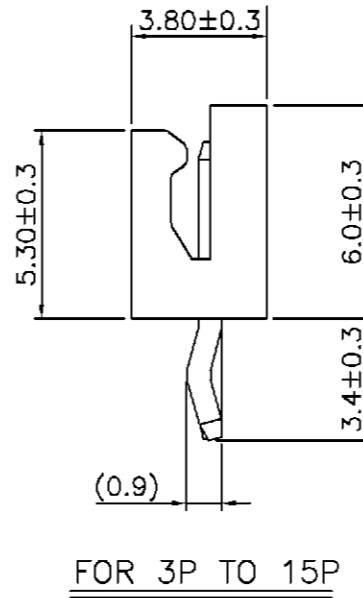
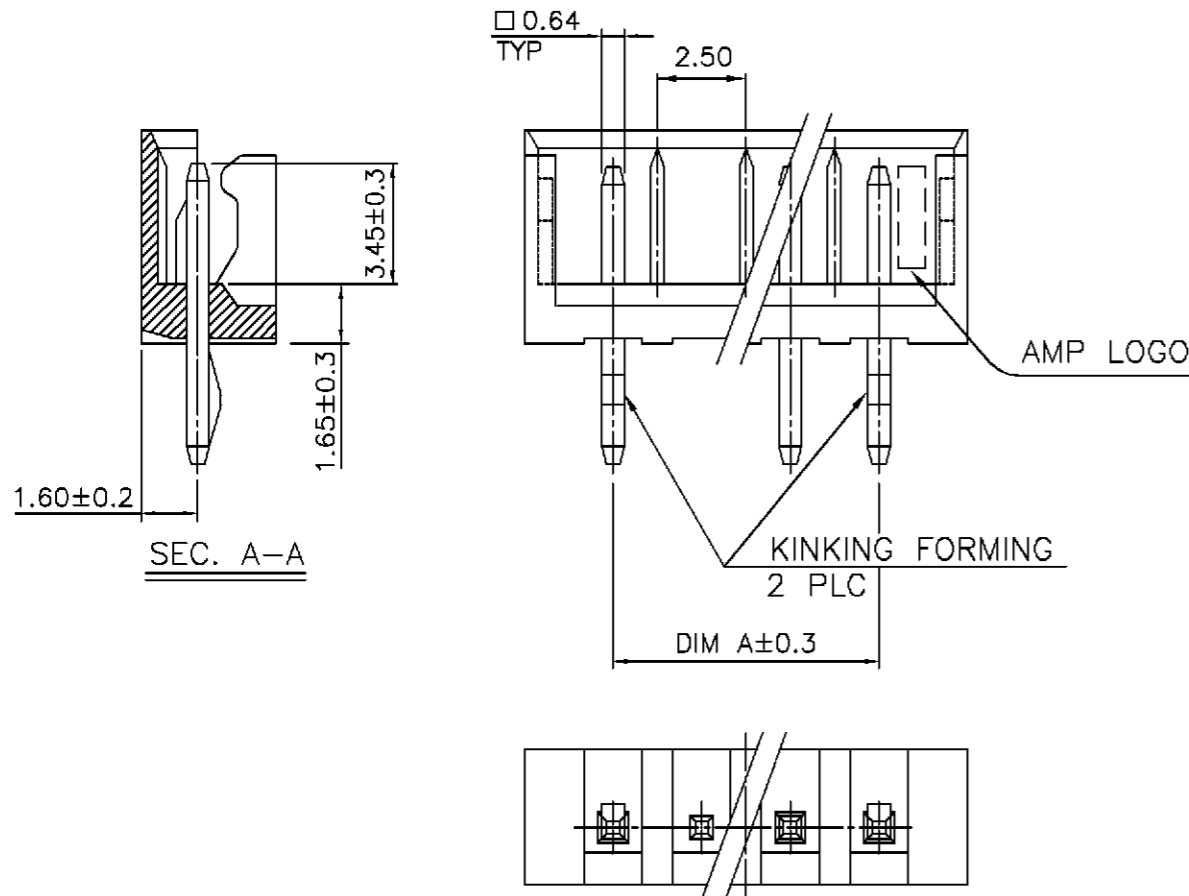


RECOMMENDED PCB LAYOUT
(PCB THICKNESS=1.0~1.6mm)

NOTE:

- MATERIAL:
HOUSING: THERMALPLATIC, UL 94V-0, COLOR: NATURAL.
CONTACT: BRASS, THICKNESS: 0.64mm.
- FINISH:
CONTACT: 80u" MIN. TIN PLATED OVER 30u" MIN. NICKEL PLATED.

3 OBSOLETE PARTS: OBSOLETE CIS STREAMLINING PER D.RENAUD/D.SINISI



OBSOLETE 3	#2	40.0	39.2	35.00	15P	1-1470772-5
		37.5	36.7	32.50	14P	1-1470772-4
		35.0	34.2	30.00	13P	1-1470772-3
		32.5	31.7	27.50	12P	1-1470772-2
		30.0	29.2	25.00	11P	1-1470772-1
		27.5	26.7	23.00	10P	1-1470772-0
		25.0	24.2	20.00	9P	1-1470772-9
		22.5	21.7	17.50	8P	1470772-8
		20.0	19.2	15.00	7P	1470772-7
		17.5	16.7	12.50	6P	1470772-6
15.0	14.2	10.00	5P	1470772-5		
12.5	11.7	7.50	4P	1470772-4		
10.0	9.2	5.00	3P	1470772-3		
7.5	6.7	2.50	2P	1470772-2		

LACK PIN# DIM C DIM B DIM A POS. PART NUMBER

TOLERANCES UNLESS OTHERWISE SPECIFIED: 0 PLC ± 1 PLC ±0.25 2 PLC ±0.15 3 PLC ±0.05 ANGLES ±3'	DWN O. HU 19-MAY-2003	TYCO HOLDINGS (BERMUDA) VII LTD. TAIWAN BRANCH		
MATERIAL SEE NOTE	CHK A. WU 19-MAY-2003	NAME		
FINISH SEE NOTE	APVD J. CHENG 19-MAY-2003	2.5 MM PITCH HPI VERTICAL POST HEADERS, LACK PIN. A		
	PRODUCT SPEC 108-57340	LOC DW	SIZE A ₃	DRAWING NO C-1470772
	QUALIFICATION TEST REPORT 501-57392	SCALE	SHEET	REV A
	WEIGHT	1 OF 2		

ECO-16-002887 REV A

01	REVISED	ECO-09-026495	KK AEG	28NOV 09
0	FIRST RELEASED	FZ00-D107-03	OH AW	23MAY 2003
LTR	REVISION RECORD	ECN	DWN CHK	DATE

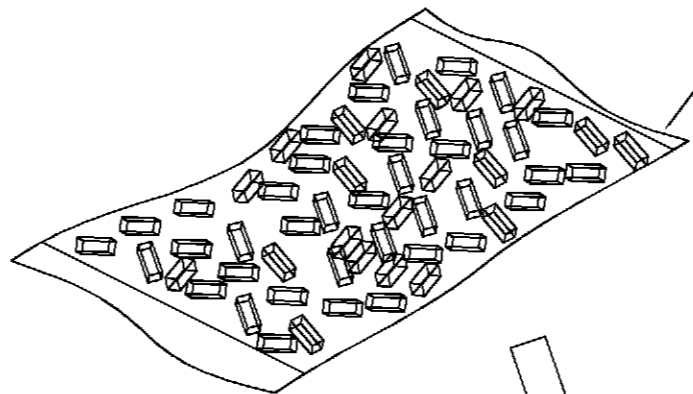
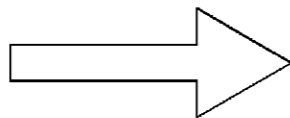
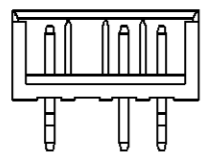
NUMBER
C-1470772



METRIC

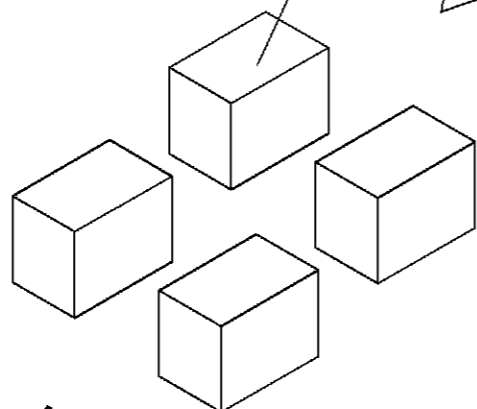
THIS INFORMATION IS CONFIDENTIAL AND IS DISCLOSED TO YOU ON CONDITION THAT NO FURTHER DISCLOSURE IS MADE BY YOU TO OTHER THAN AMP PERSONNEL WITHOUT WRITTEN AUTHORIZATION FROM AMP (TAIWAN) LTD. DIMENSIONS IN MILLIMETERS. DO NOT SCALE PRINT.

PRINT
DW

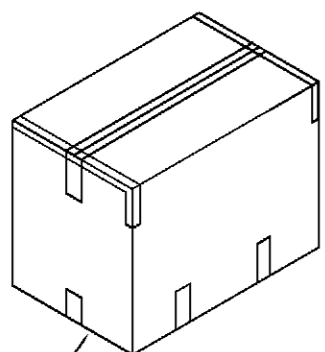
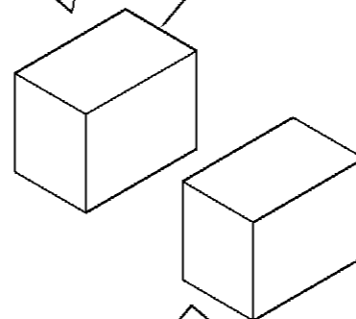


POLY BAG
127mm(L)X 203mm(W)X 0.07mm(H)

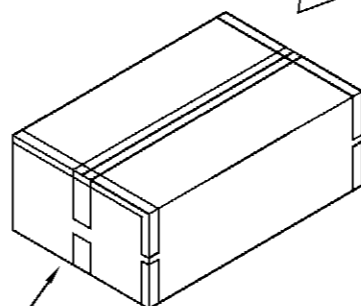
INEER BOX
320mm(L)X 220mm(W)X 140mm(H)



INEER BOX
320mm(L)X 220mm(W)X 140mm(H)



CARTON
340mm(L)X 470mm(W)X 316mm(H)
(FOR HEADER 6P~16P ONLY)



CARTON
340mm(L)X 470mm(W)X 168mm(H)
(FOR HEADER 2P~5P ONLY)

OBSOLETE 3	12,960	180	15P	1-1470772-5
	12,000	200	14P	1-1470772-4
	14,400	200	13P	1-1470772-3
	16,000	250	12P	1-1470772-2
	16,000	250	11P	1-1470772-1
OBSOLETE				
OBSOLETE 3	20,000	350	9P	1-1470772-0
	21,600	350	8P	1-1470772-9
	25,200	350	8P	1470772-8
	28,000	350	7P	1470772-7
	35,000	350	6P	1470772-6
OBSOLETE 3	20,000	500	5P	1470772-5
	24,000	600	4P	1470772-4
	30,000	750	3P	1470772-3
	36,000	1,000	2P	1470772-2
	APQ (PCS/CARTON)	PPQ (PCS/BAG)	POS.	PART NUMBER

TOLERANCES UNLESS OTHERWISE SPECIFIED: 0 PLC ± 1 PLC ± 2 PLC ± 3 PLC ± ANGLES ±	DWN O. HU 19-MAY-2003	TYCO HOLDINGS (BERMUDA) VII LTD. TAIWAN BRANCH		
MATERIAL SEE NOTE	CHK A. WU 19-MAY-2003	NAME 2.5 MM PITCH HPI VERTICAL POST HEADERS, LACK PIN.		
FINISH SEE NOTE	APVD J. CHENG 19-MAY-2003	QUALIFICATION TEST REPORT	LOC DW	SIZE C-1470772
	WEIGHT	SCALE --	DRAWING NO C-1470772	REV A
			SHEET 2 OF 2	

SEE SHEET 1.				
LTR	REVISION RECORD	ECN	DWN CHK	DATE