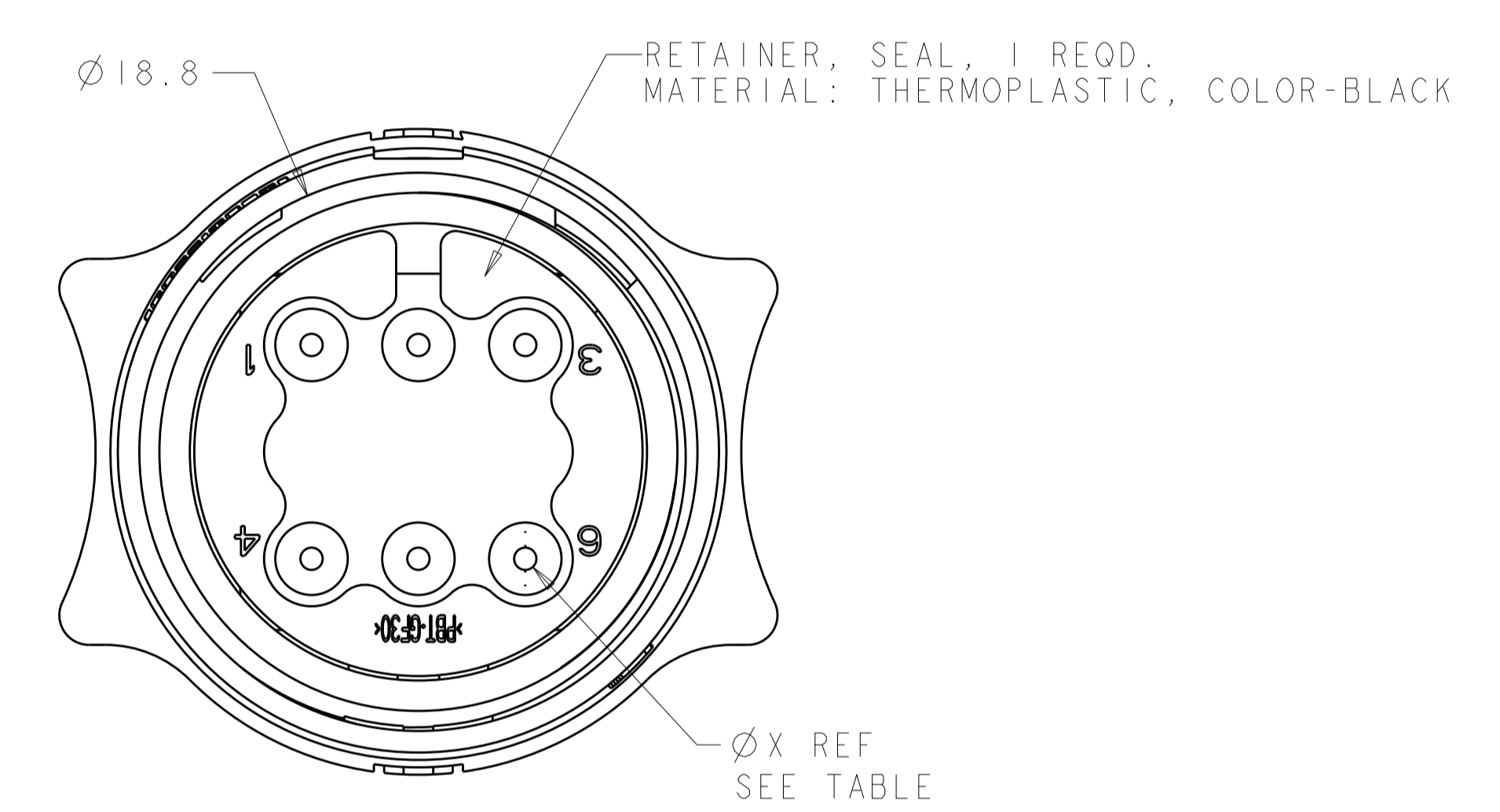
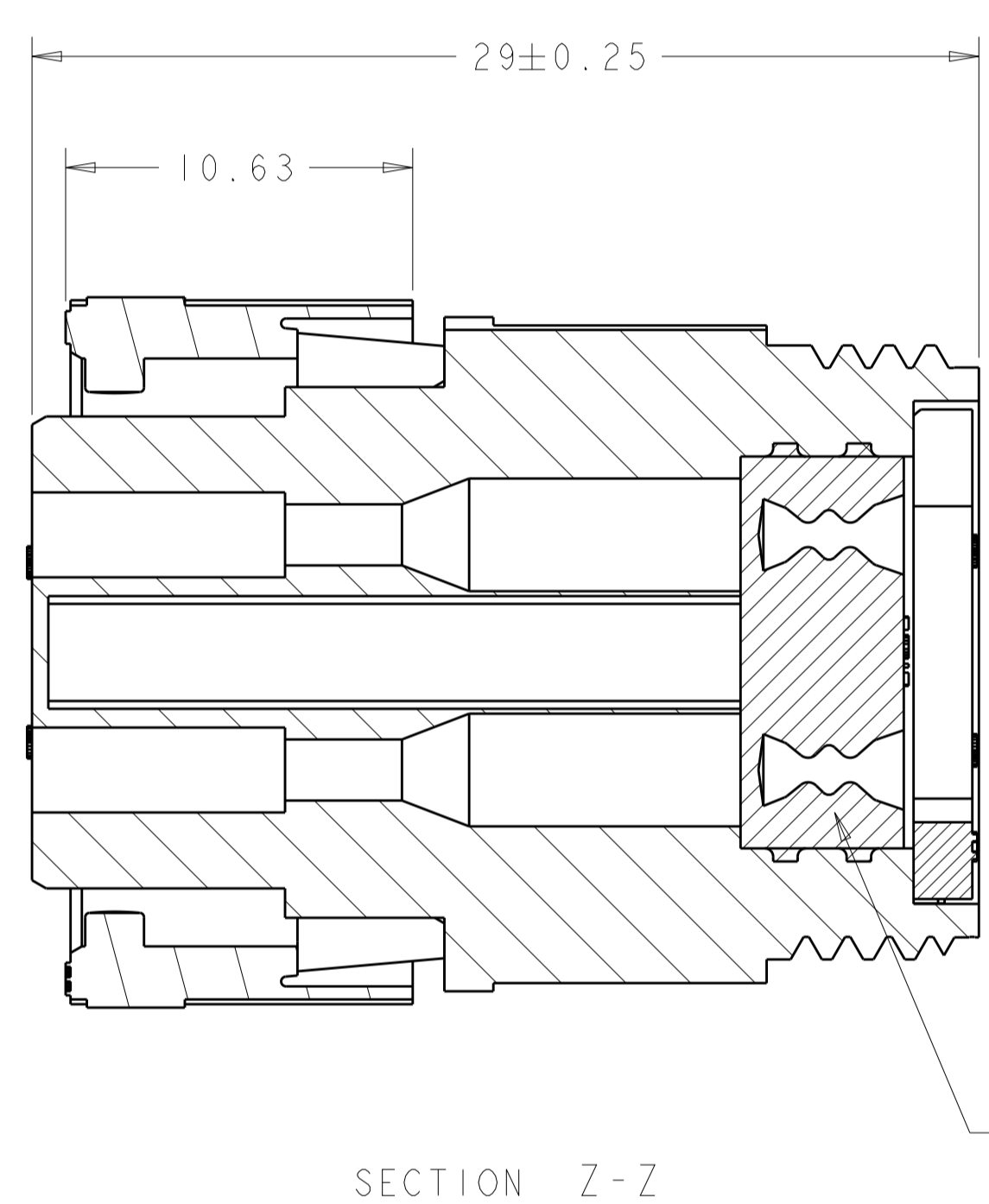
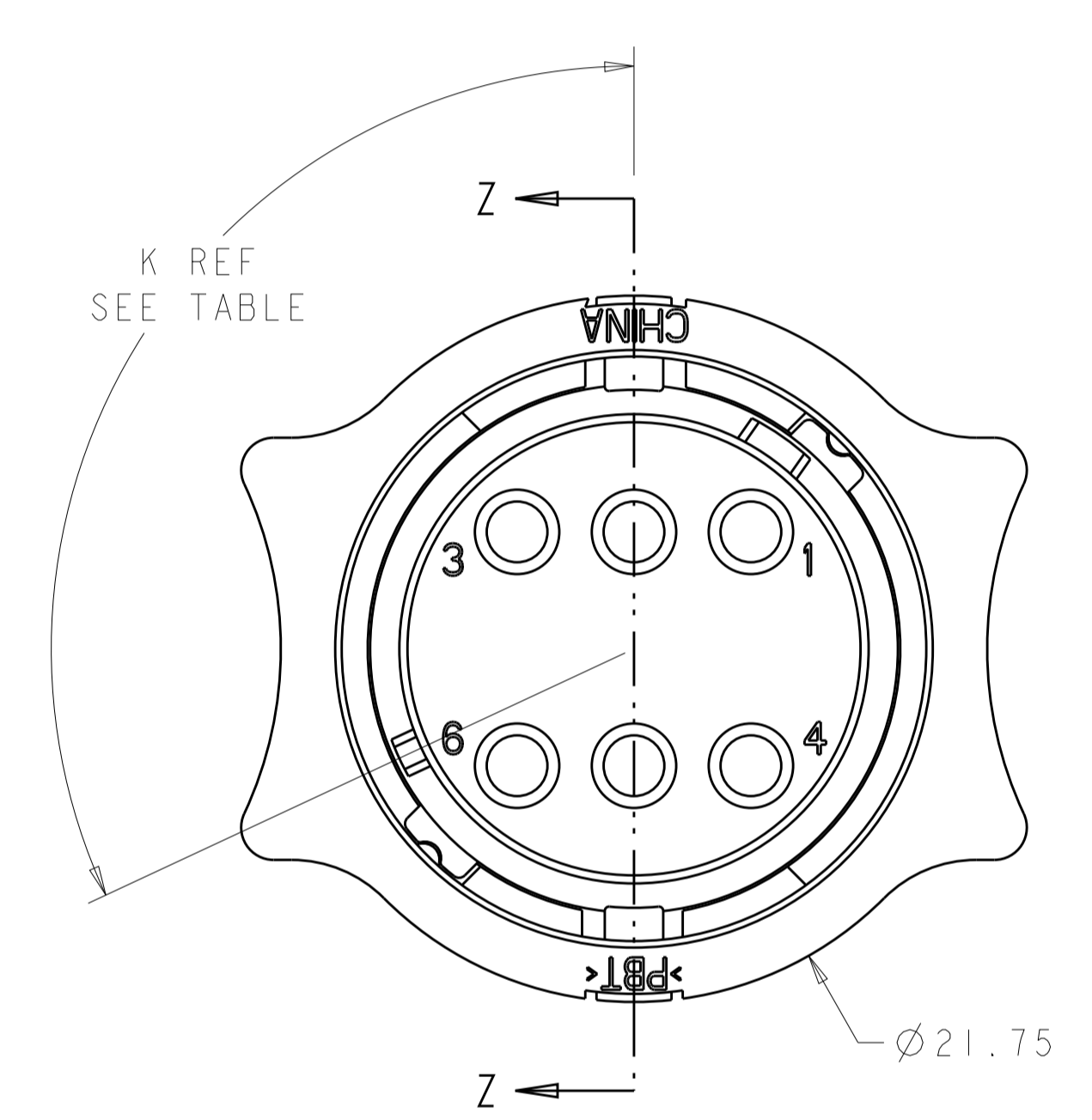
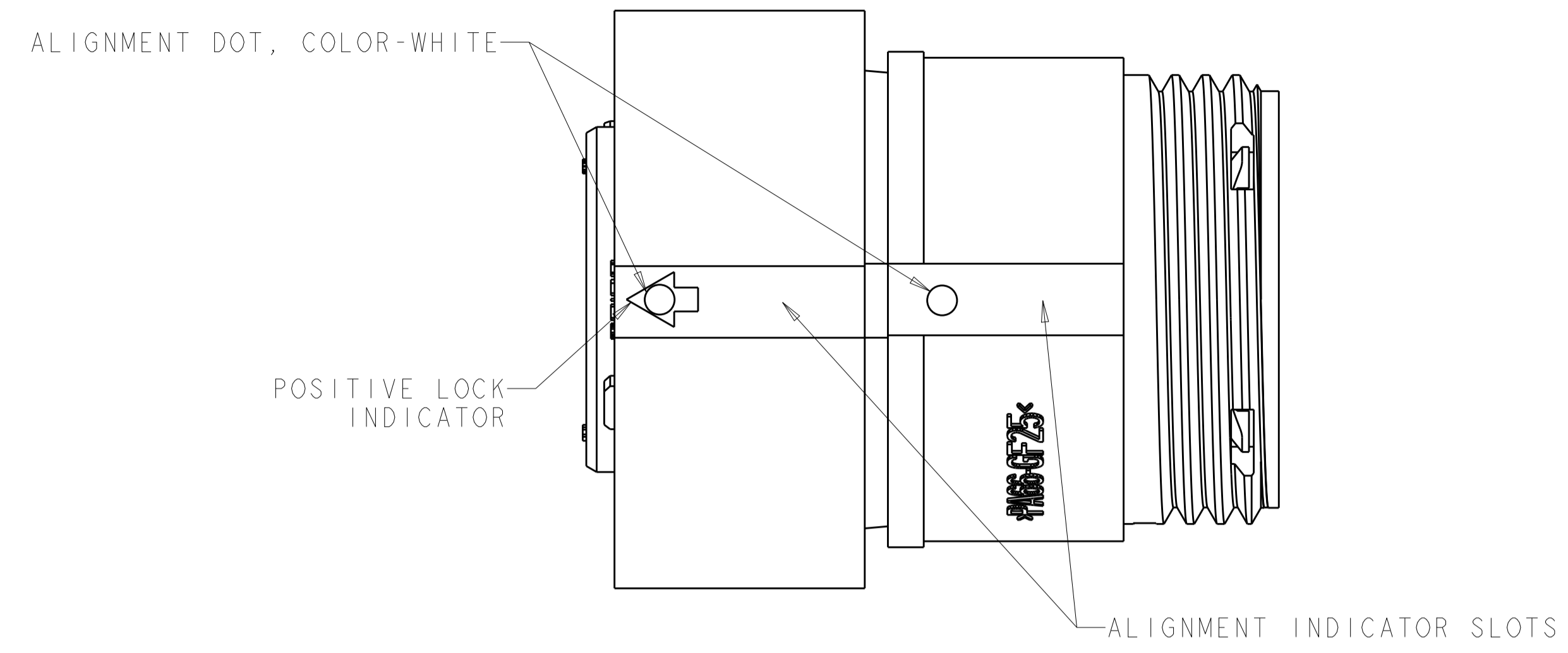
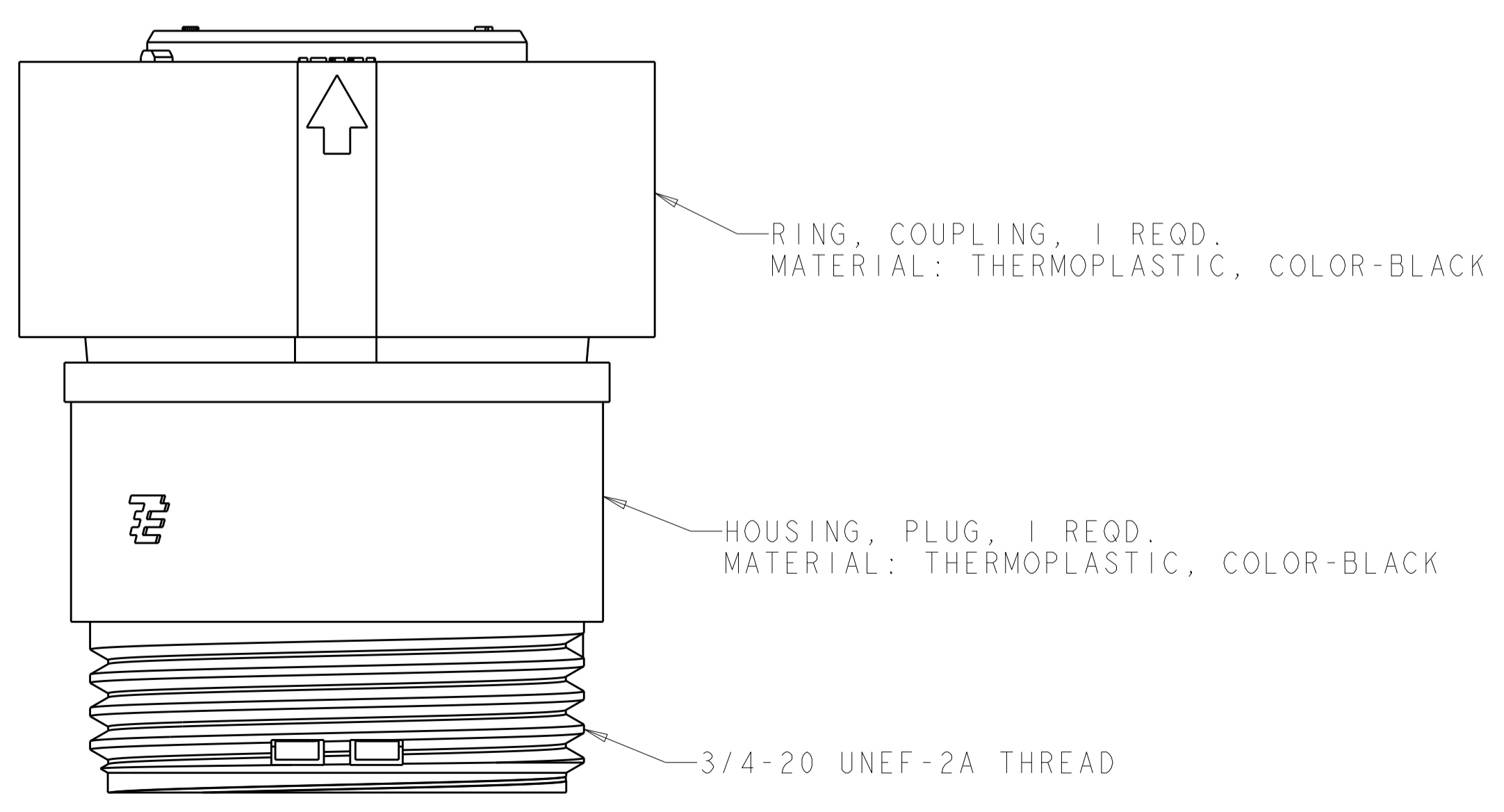


REVISIONS				
P.	LTM	DESCRIPTION	DATE	APVD
C2		REVISED PER ECO-15-010004	13JUL2015	NK MZ
D		REVISED PER ECO-16-018352	25MAR2017	RS MZ



SEAL, WIRE ENTRY, 1 REQD.
 MATERIAL: ELASTOMER, COLOR-SEE TABLE



OBSELETE	YELLOW	Ø0.75	135°	1445819-4
	NATURAL	Ø1.5	115°	1445819-3
OBSELETE	NATURAL	Ø1.5	135°	1445819-2
	YELLOW	Ø0.75	115°	1445819-1
	SEAL, WIRE ENTRY COLOR	ØX REF	K REF	PART NUMBER

THIS DRAWING IS A CONTROLLED DOCUMENT.		DWN SHANE WIESE 16OCT2001 CHK G DOUTY 16OCT2001 APVD H. WAKEEM 13JUN2003	STE TE Connectivity	
DIMENSIONS: mm 	TOLERANCES UNLESS OTHERWISE SPECIFIED: 0 PLC ± 1 PLC ±0.13 2 PLC ± 3 PLC ± 4 PLC ± ANGLES ± FINISH	NAME ASSEMBLY, PLUG, SIZE 11, 6 POSITION, SEALED, MINI CPC PRODUCT SPEC APPLICATION SPEC SIZE CAGE CODE DRAWING NO A100779C=1445819	RESTRICTED TO SCALE 5:1 SHEET 1 OF 1 REV D	
MATERIAL SEE CALLOUT	WEIGHT	CUSTOMER DRAWING		