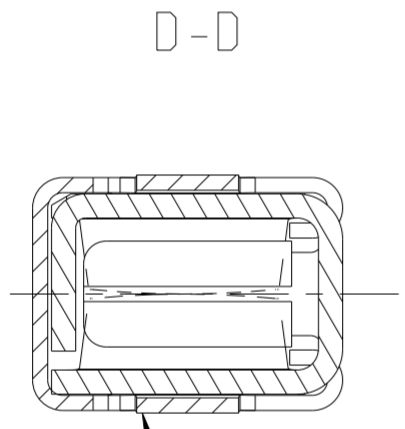
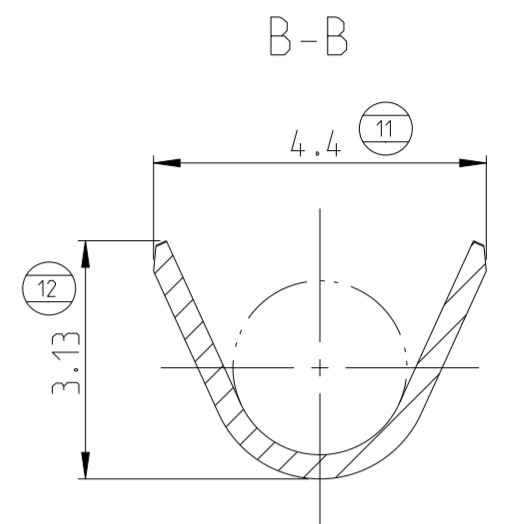
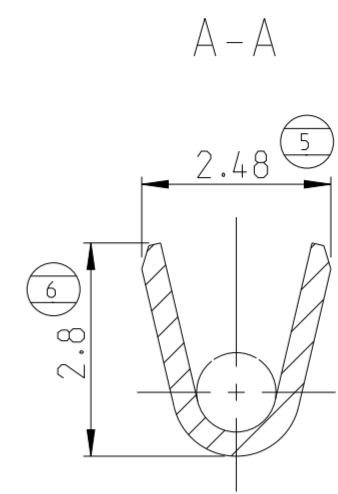
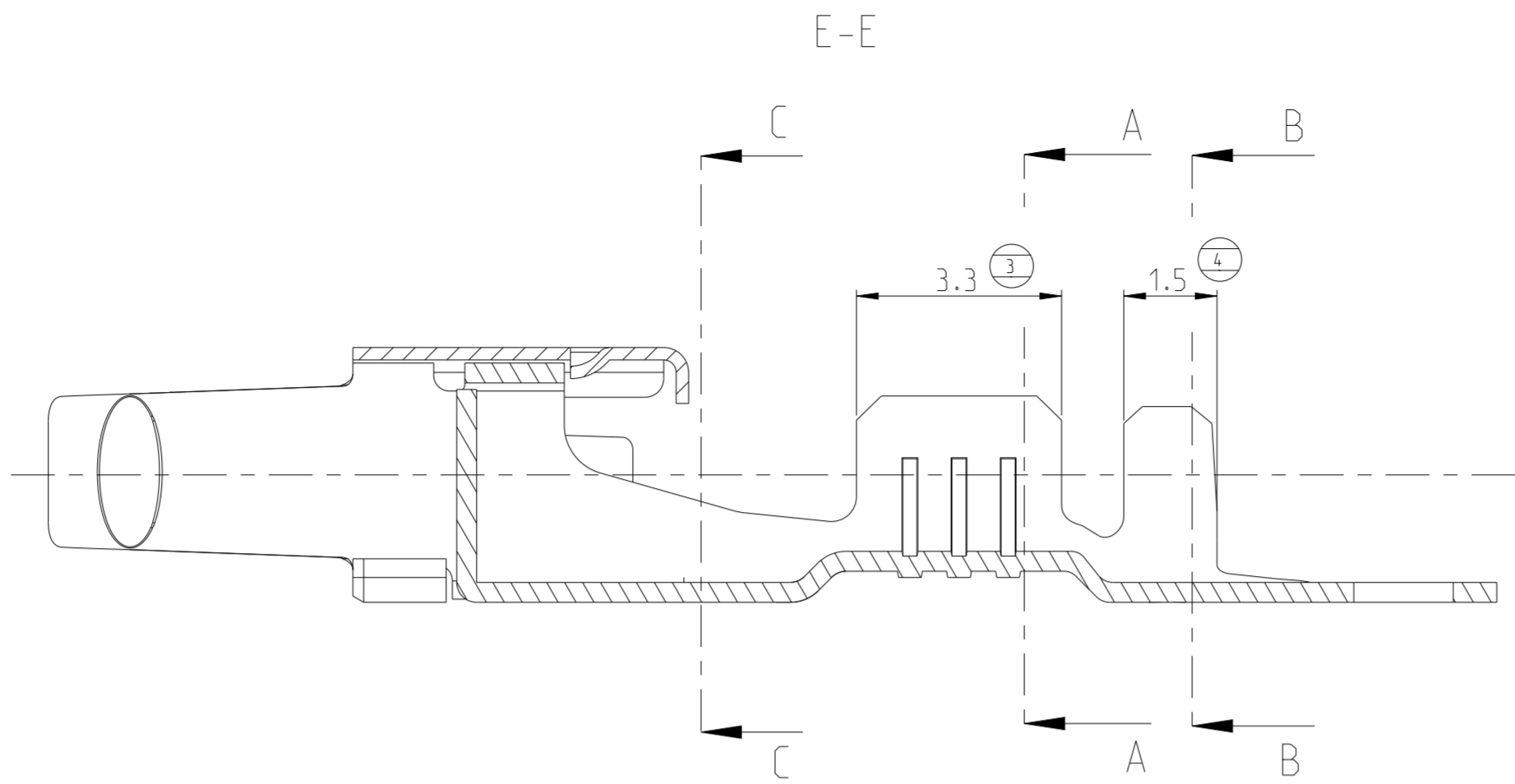
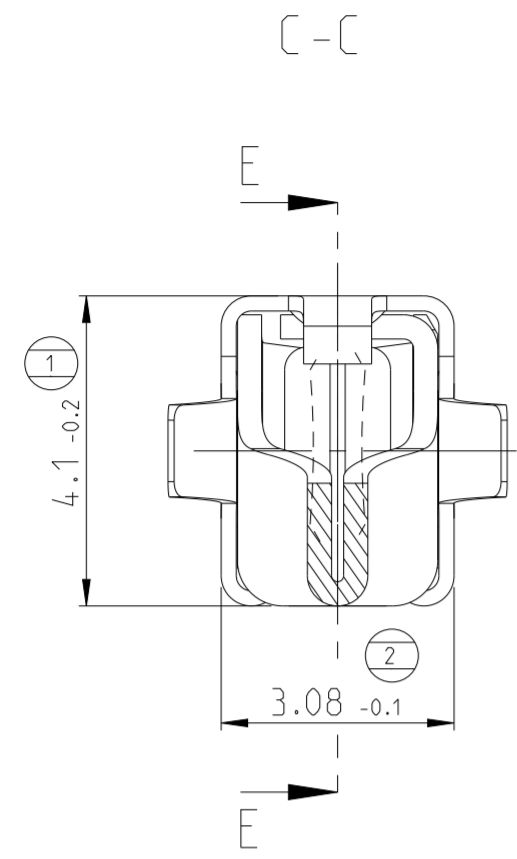
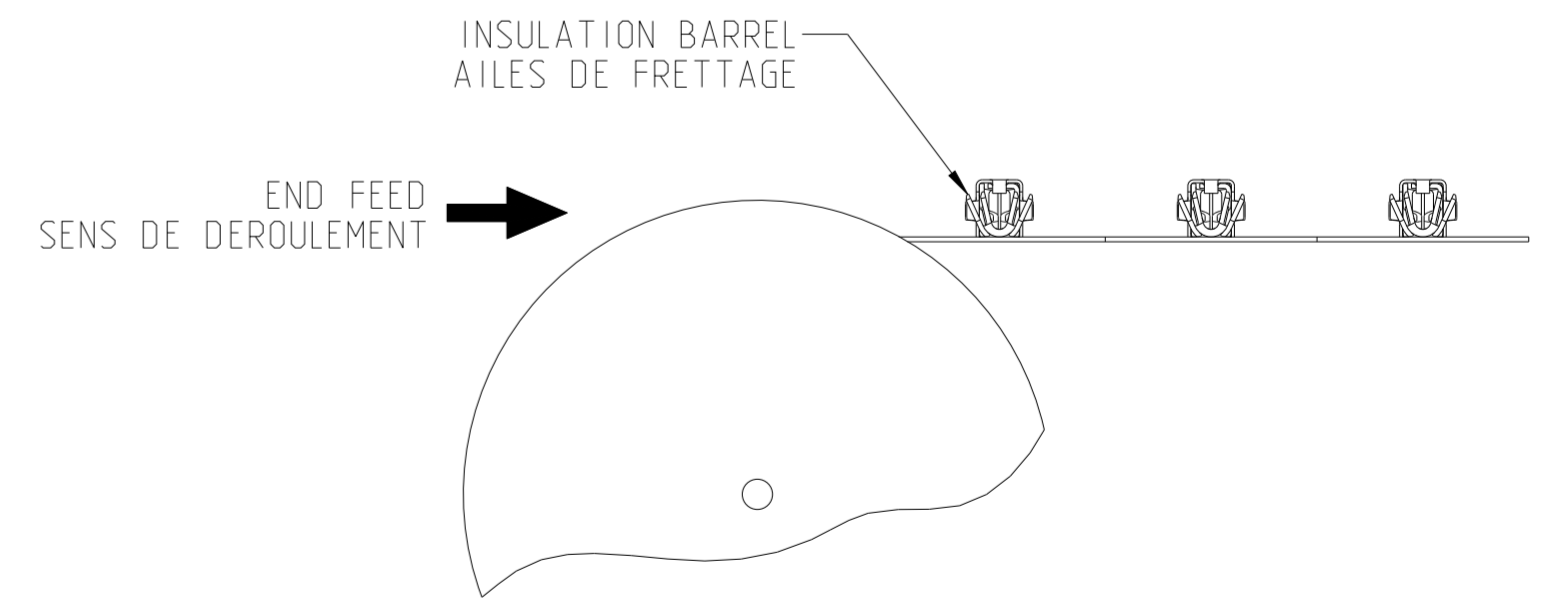
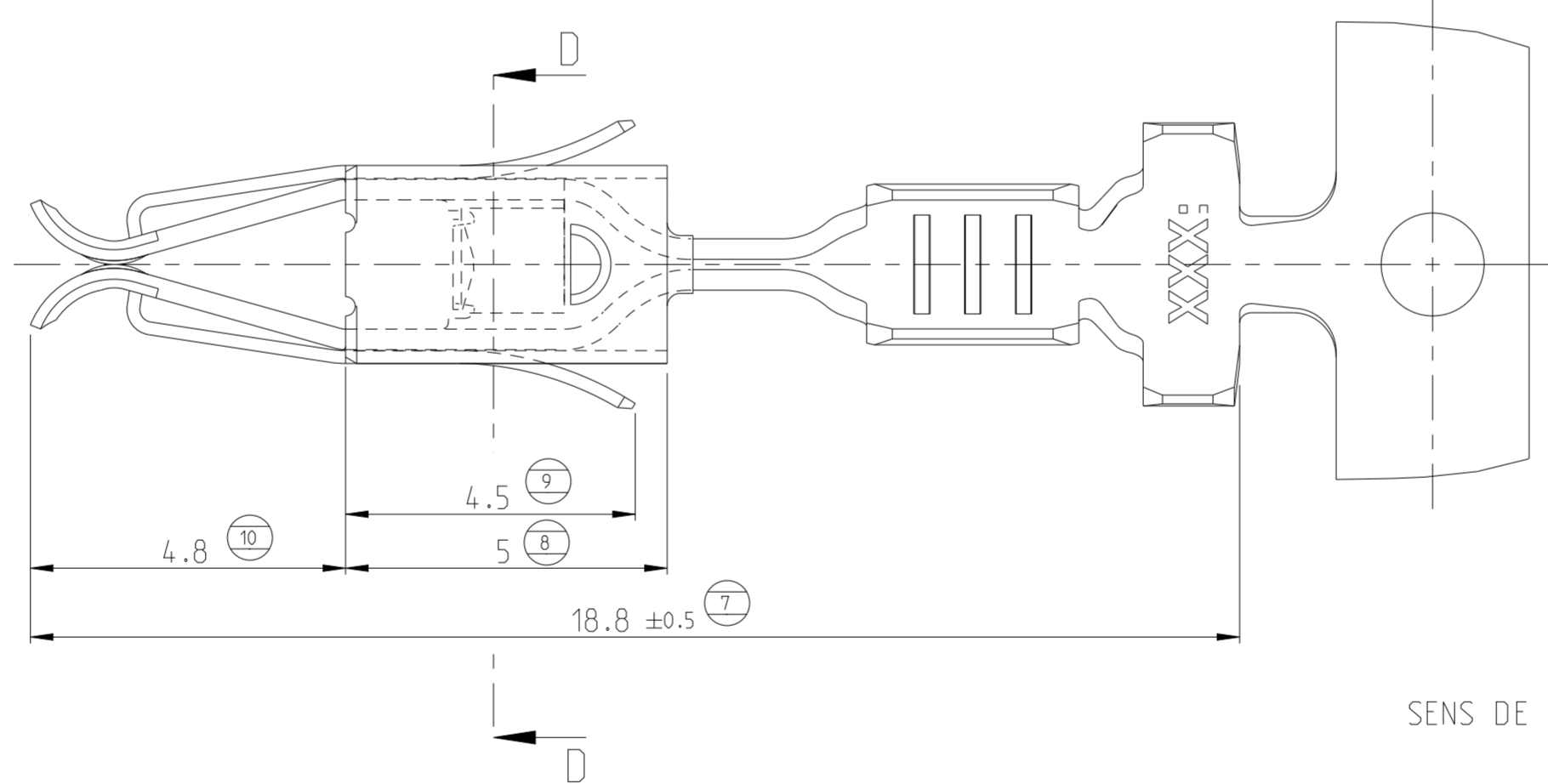


THIS DRAWING IS UNPUBLISHED. RELEASED FOR PUBLICATION
 © COPYRIGHT copyright_date BY - ALL RIGHTS RESERVED.

REVISIONS					
P	LTR	DESCRIPTION	DATE	DWN	APVD
B2		REVISED PER ECR-15-015581	28OCT2015	SCK	JP
B3		PN 144431-3 is OBSOLETE	15APR2021	JJH	JC



SPRING 144501-2
OR 927767-1



B3	OBSOLETE	PRE-GOLD 0.4 μm mini SUR 0.1 μm mini NI	CuSn4	144431-3
		PRE-TIN 0.8 A 3.3 μm	CuSn4	144431-1
		FINISH	MATERIAL	PART NUMBER

THIS DRAWING IS A CONTROLLED DOCUMENT. DIMENSIONING AND TOLERANCING PER GPS (ISO STANDARDS).

DIMENSIONS:	TOLERANCES UNLESS OTHERWISE SPECIFIED:	DWN	27SEP2000
mm	0 PLC ± ±0.2	CHK	MICHEL POLIFONTE
	1 PLC ± ±0.2	CHK	M.POLIFONTE
	2 PLC ± ±0.2	APVD	JJ REVIL
	3 PLC ± ±0.2	PRODUCT SPEC	108-15121
	4 PLC ± ±0.2	APPLICATION SPEC	114-15050
	ANGLES ± ±5°	WEIGHT	-
	FINISH	CUSTOMER DRAWING	SCALE 10:1

STE TE Connectivity

NAME JUNIOR POWER TIMER

SIZE A2 CAGE CODE 00779 DRAWING NO C-144431 RESTRICTED TO

SHEET 1 OF 1 REV B3