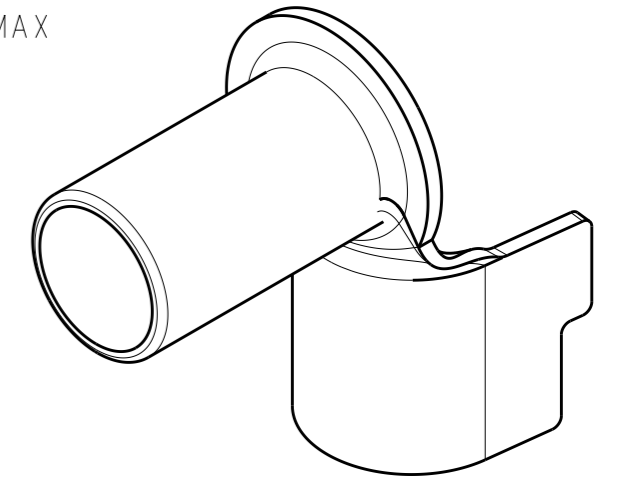
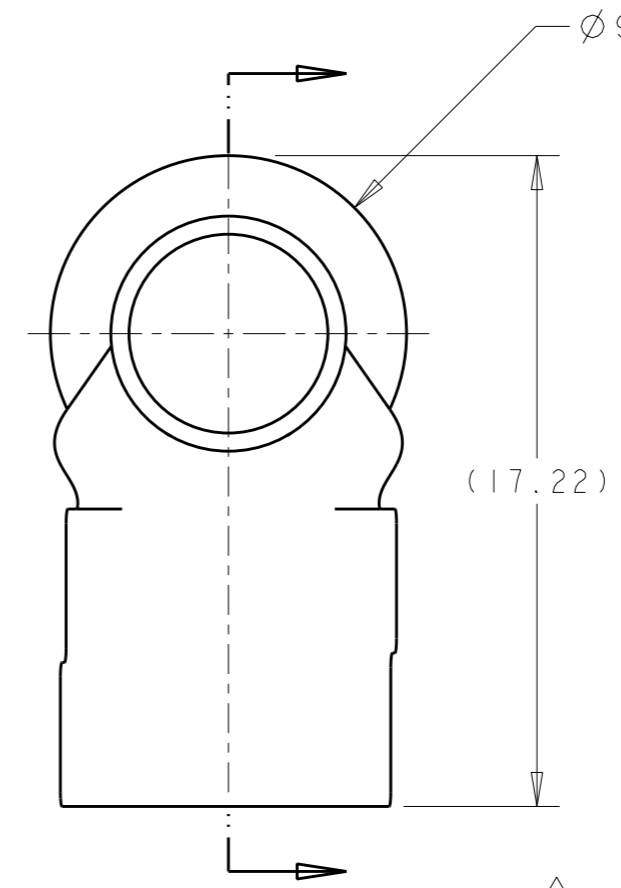
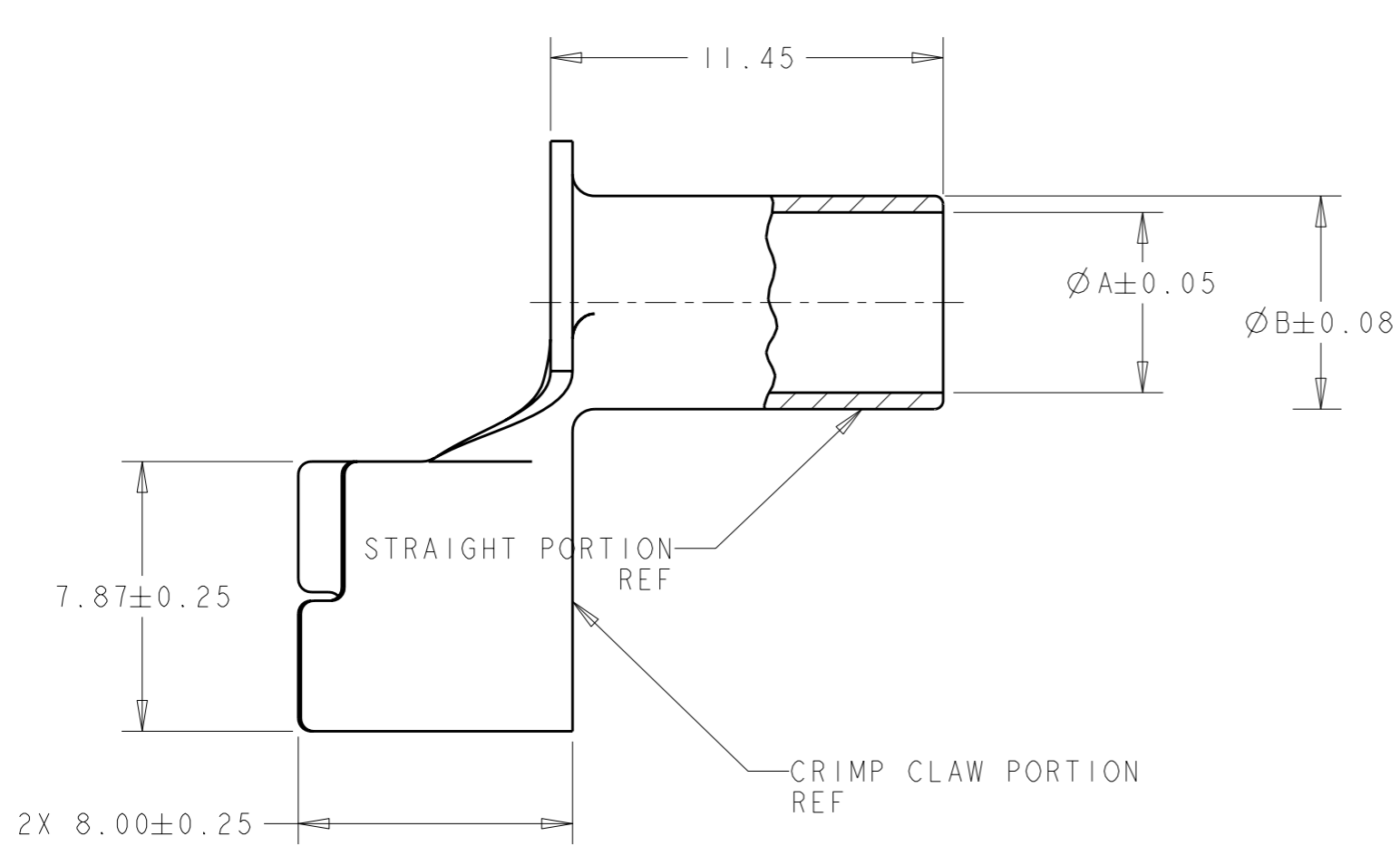
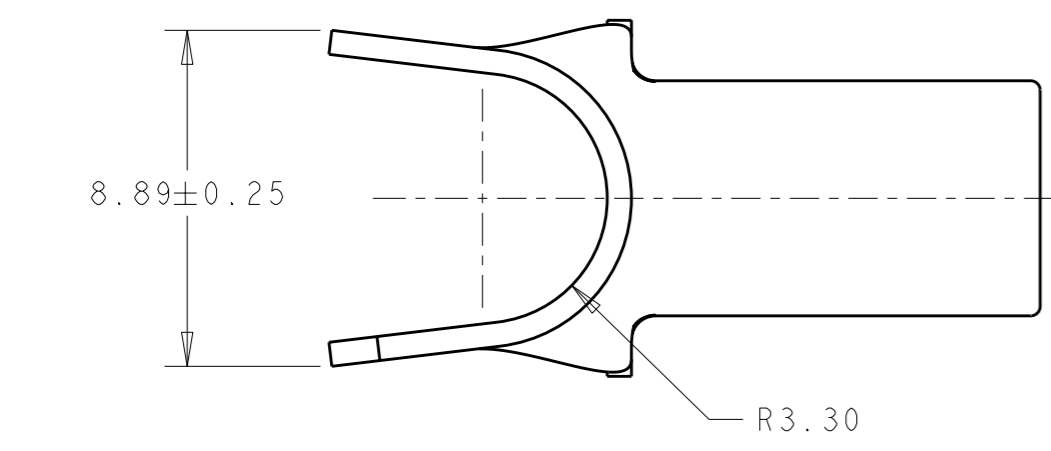


THIS DRAWING IS UNPUBLISHED. RELEASED FOR PUBLICATION 20
 © COPYRIGHT 20 BY TYCO ELECTRONICS CORPORATION. ALL RIGHTS RESERVED.

LOC	DIST	REVISIONS			
P	LTR	DESCRIPTION	DATE	DWN	APVD
IN	00	A	INITIAL RELEASE	17MAR2006	DJH JMR
		B	REVISED PER ECO-11-001679	25JAN2011	DLD LLV



ISOMETRIC VIEW
SCALE 4:1



- 1 BRASS.
- 2 2.54µm MIN TIN OVER COPPER FLASH.
- 3. SEE INSTRUCTION 408-10028.

7.85	6.76	RG-71, RG-71U/M	1438921-6
7.85	6.55	RG-59, RG-62, RG-62U/M	1438921-4
6.22	5.26	RG-58, RG-58 LL	1438921-2
B	A	APPLICABLE CABLE SIZE	PART NUMBER

<small>THIS DRAWING IS A CONTROLLED DOCUMENT FOR TYCO ELECTRONICS CORPORATION. IT IS SUBJECT TO CHANGE AND THE CONTROLLING ENGINEERING ORGANIZATION SHOULD BE CONTACTED FOR THE LATEST REVISION.</small>		DWN 17MAR2006 DJ HARDY		Tyco Electronics Harrisburg, PA 17105-3608	
DIMENSIONS: mm		TOLERANCES UNLESS OTHERWISE SPECIFIED: 0 PLC ±- 1 PLC ±- 2 PLC ±0.13 3 PLC ±- 4 PLC ±- ANGLES ±-		CHK 17MAR2006 JM RAUDENBUSH	
		APVD 17MAR2006 JM RAUDENBUSH		NAME FERRULE, RIGHT ANGLE, SMB	
MATERIAL 1		FINISH 2		PRODUCT SPEC -	
CUSTOMER DRAWING		APPLICATION SPEC 114-13157		SIZE CAGE CODE DRAWING NO RESTRICTED TO A300779 C-1438921 -	
		WEIGHT -		SCALE 5:1 SHEET 1 OF 1 REV B	