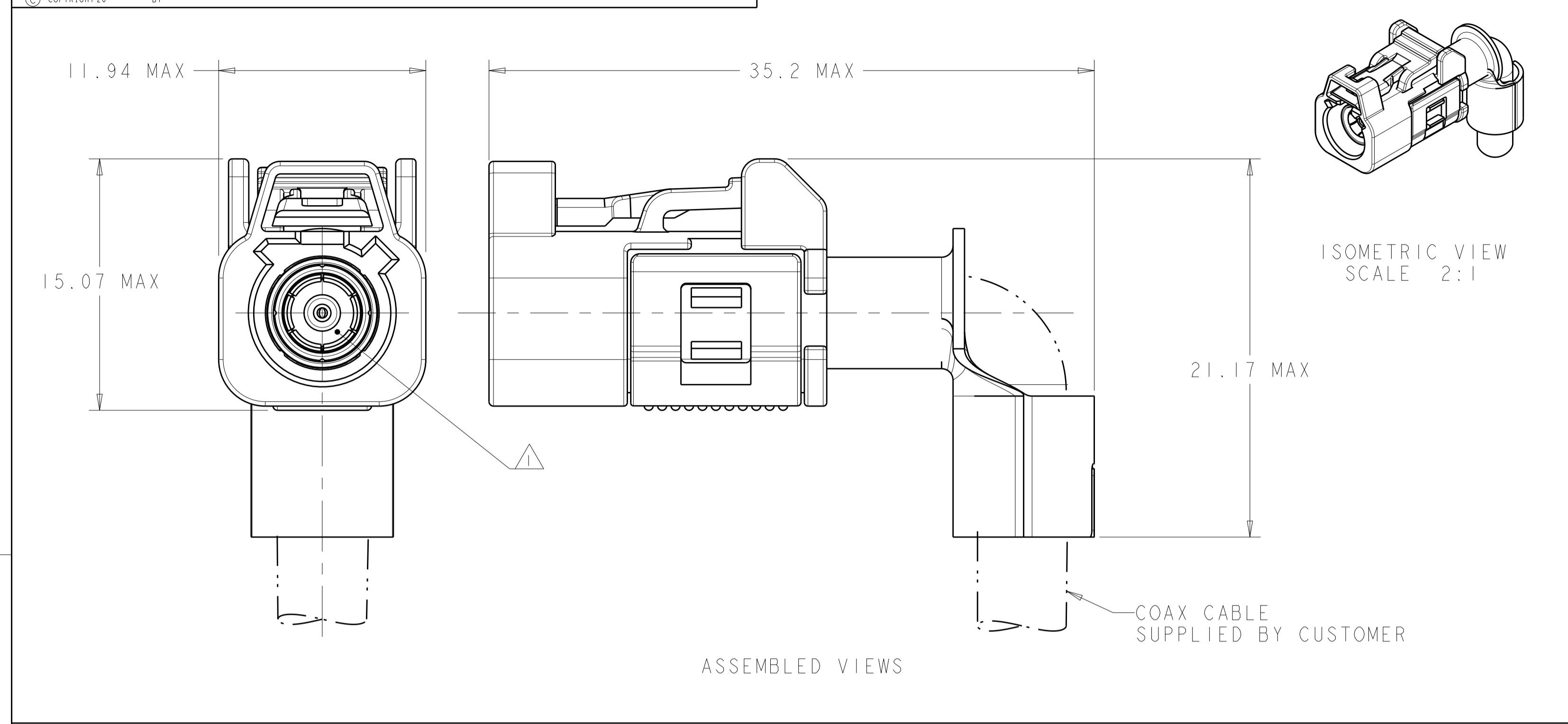
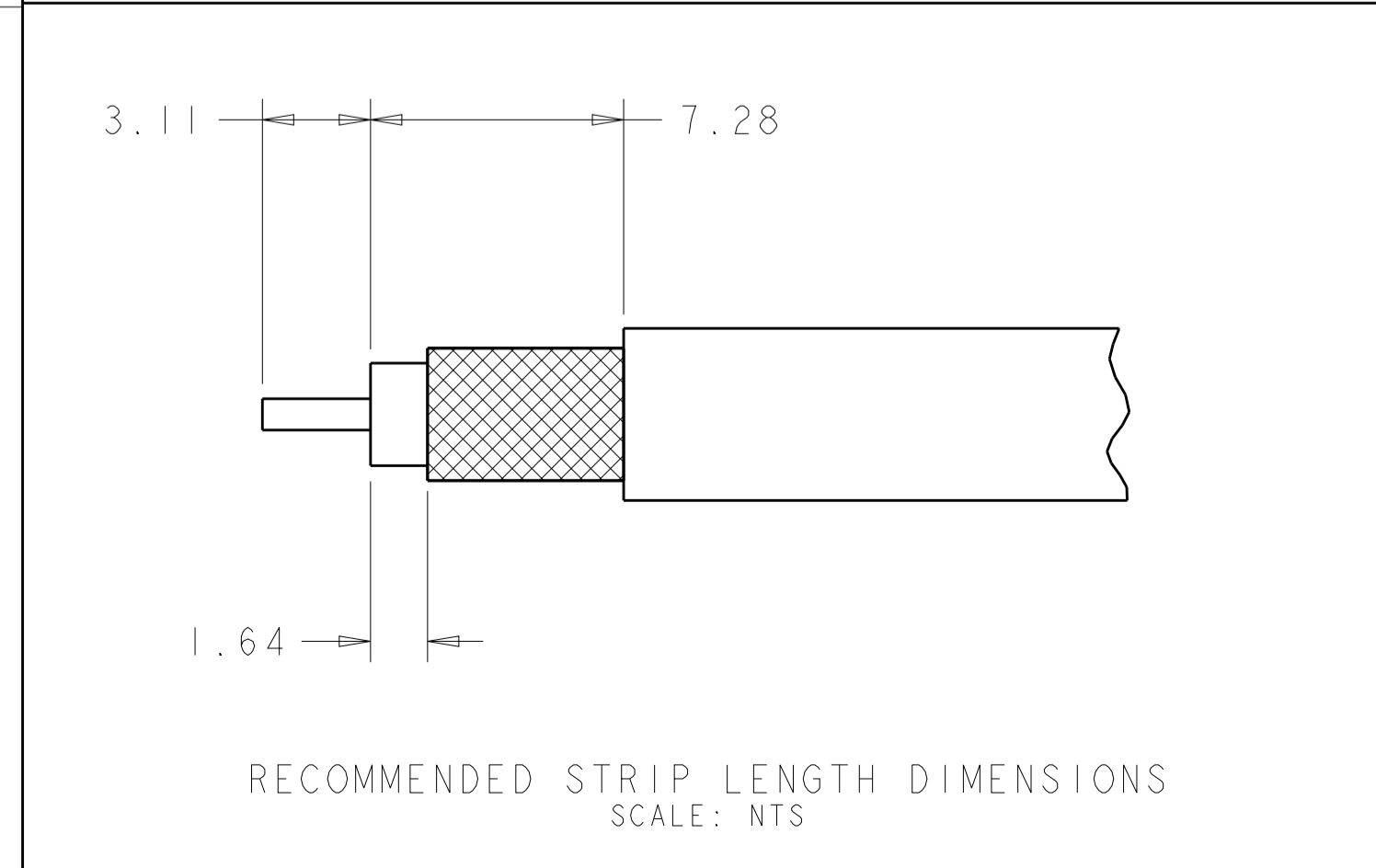
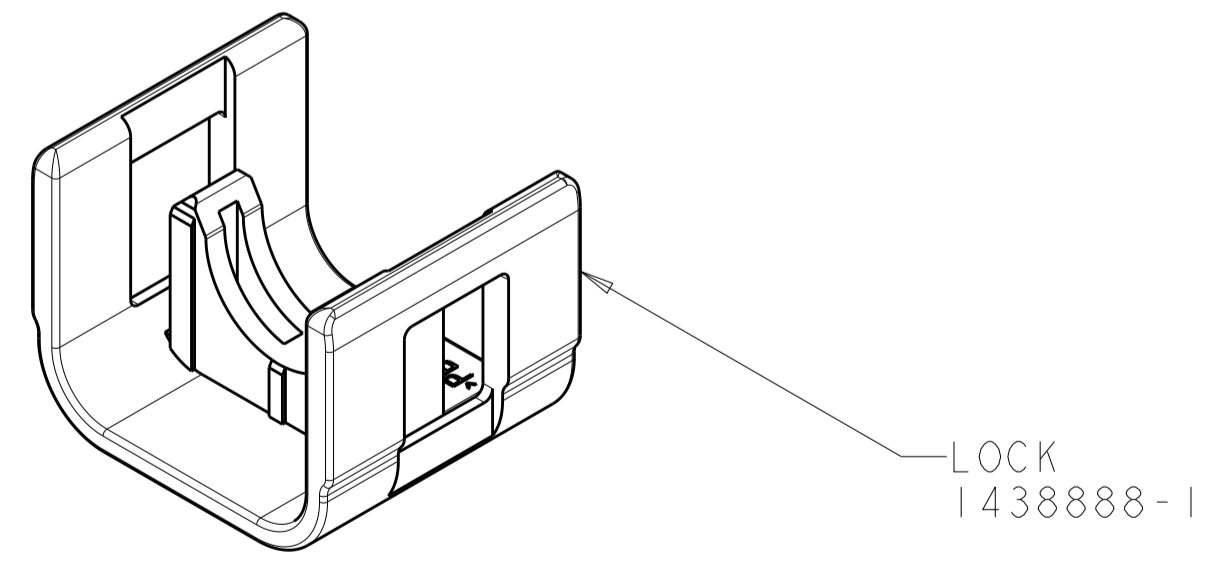
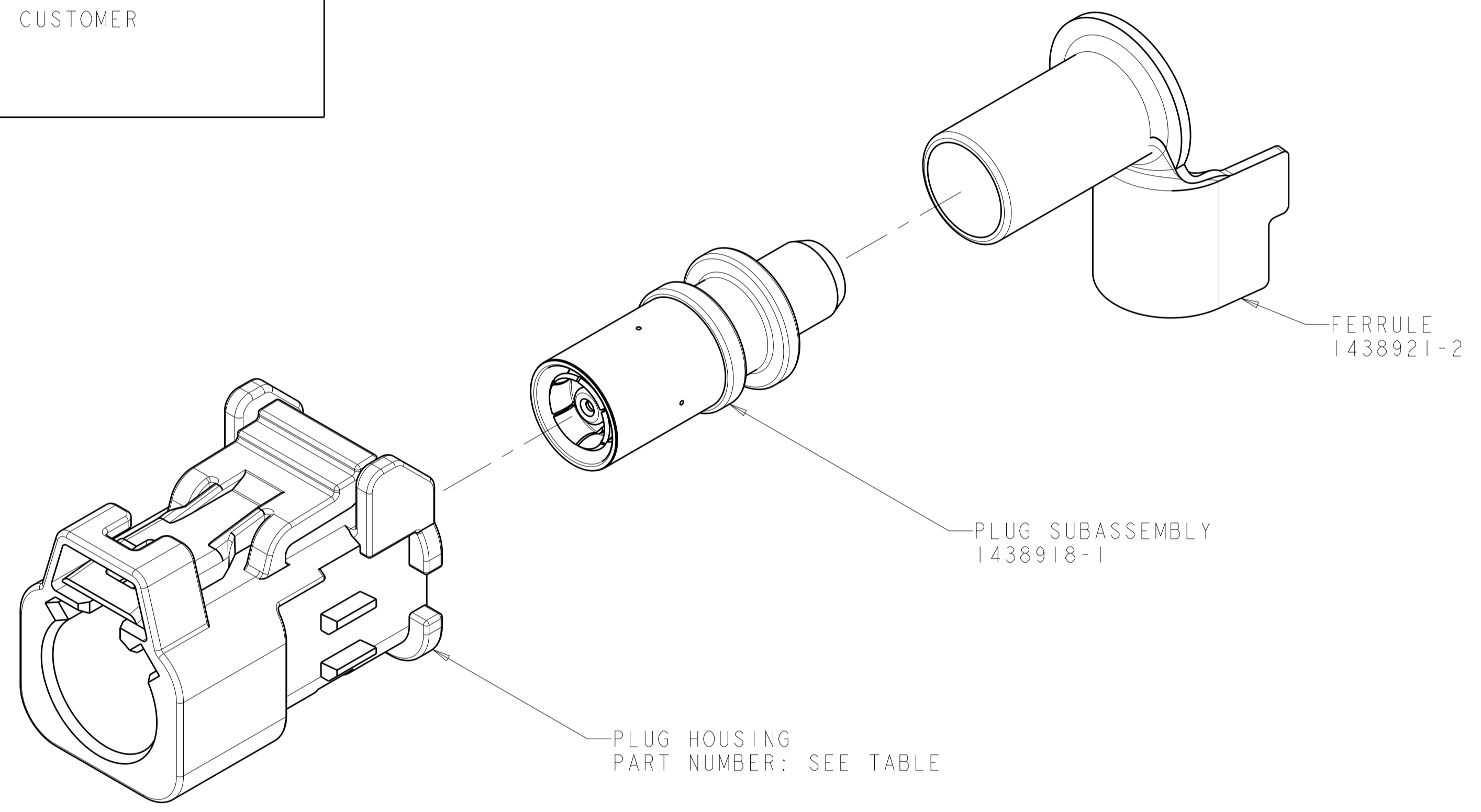


REVISIONS				
P.	LTN	DESCRIPTION	DATE	OWN APVD
	D2	ECO-13-015709	09OCT2013	KP LV



- ⚠ PLUG ACCEPTS JACKS MEETING DIN 72594-1, ROAD VEHICLES - RADIO FREQUENCY INTERFACE - DIMENSIONS AND ELECTRICAL REQUIREMENTS.
- 2. PLUG SUBASSEMBLY WILL ACCEPT M17/28-RG58 COAXIAL CABLE PER MIL-C-17 AND LOW LOSS RG58 TYPE ANDREW CORPORATION PART NUMBER 910046A000.
- 3. SEE INSTRUCTION SHEET 408-10028.
- 4. SOCKET CONTACT 1438896-2 MUST BE PURCHASED SEPERATELY.



PER DETAIL M	M	PASTEL ORANGE	1-1438893-2	1-1438920-2
PER DETAIL K	K	CURRY	1-1438893-0	1-1438920-0
PER DETAIL I	I	BEIGE	1438893-9	1438920-9
PER DETAIL H	H	HEATHER VIOLET	1438893-8	1438920-8
PER DETAIL G	G	BLUE GRAY	1438893-7	1438920-7
PER DETAIL F	F	NUT BROWN	1438893-6	1438920-6
PER DETAIL E	E	LEAF GREEN	1438893-5	1438920-5
PER DETAIL D	D	CLARET VIOLET	1438893-4	1438920-4
PER DETAIL C	C	SIGNAL BLUE	1438893-3	1438920-3
PER DETAIL B	B	SIGNAL WHITE	1438893-2	1438920-2
PER DETAIL A	A	JET BLACK	1438893-1	1438920-1
KEYING	KEY CODING	HOUSING COLOR	PLUG HOUSING PART NUMBER	PART NUMBER

THIS DRAWING IS A CONTROLLED DOCUMENT. DWN: D.J.HARDY 05JAN2005
 CHK: J.W.HALL 27JAN2005
 APVD: J.W.HALL 27JAN2005

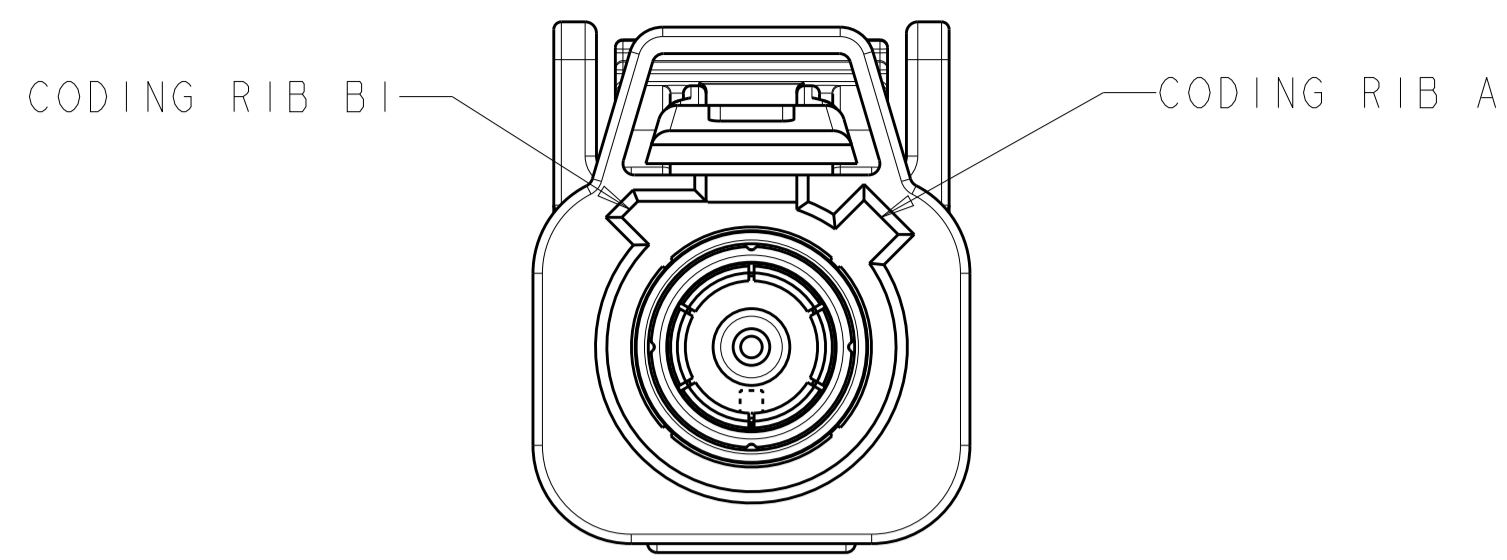
STE TE Connectivity

NAME: PLUG KIT, UNASSEMBLED, 1 POSITION, RG-58 OR RG-58 LL,
 PRODUCT SPEC: -
 APPLICATION SPEC: -

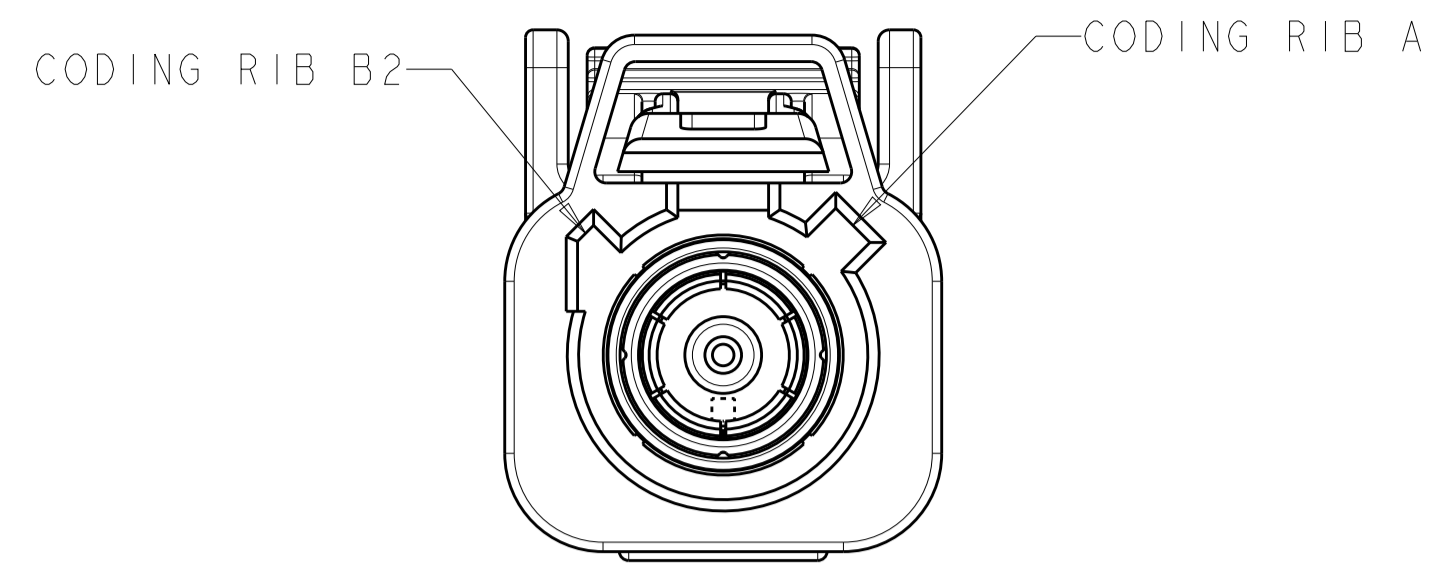
MATERIAL: - FINISH: - WEIGHT: -
 Customer Drawing

SIZE: A1 CAGE CODE: - DRAWING NO: C=1438920 RESTRICTED TO: -
 SCALE: 5:1 SHEET 1 OF 2 REV: D2

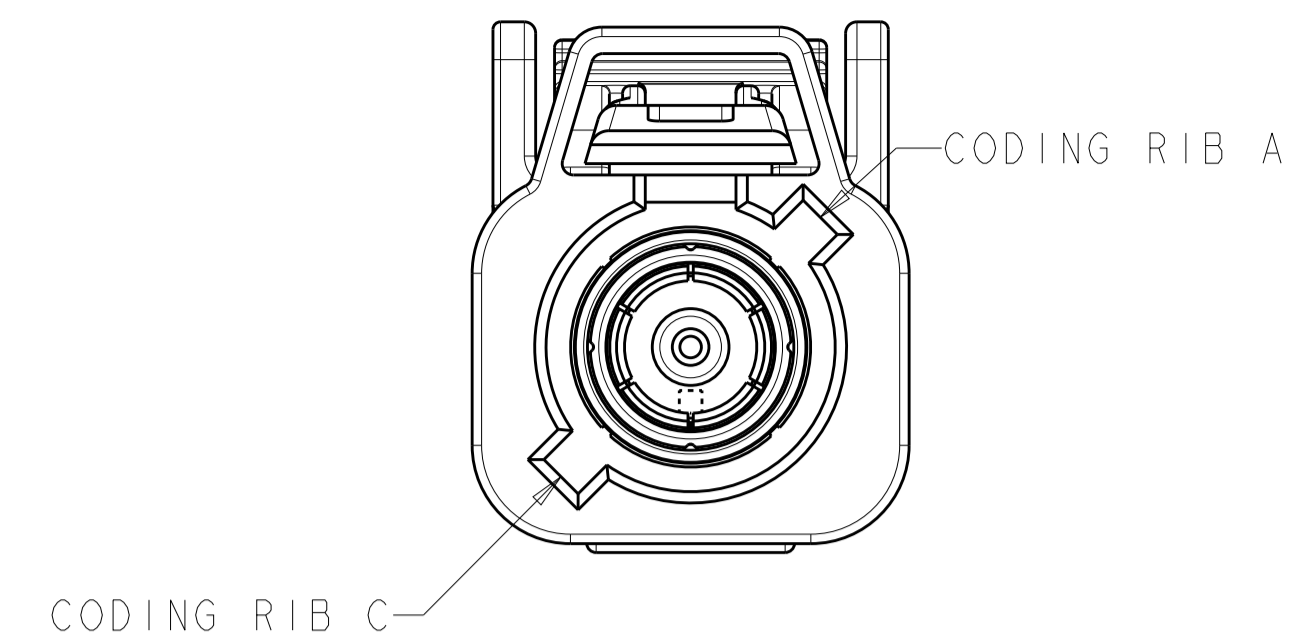
REVISIONS				
P.	LTN.	DESCRIPTION	DATE	OWN. APVD.
-	-	SEE SHEET 1	-	-



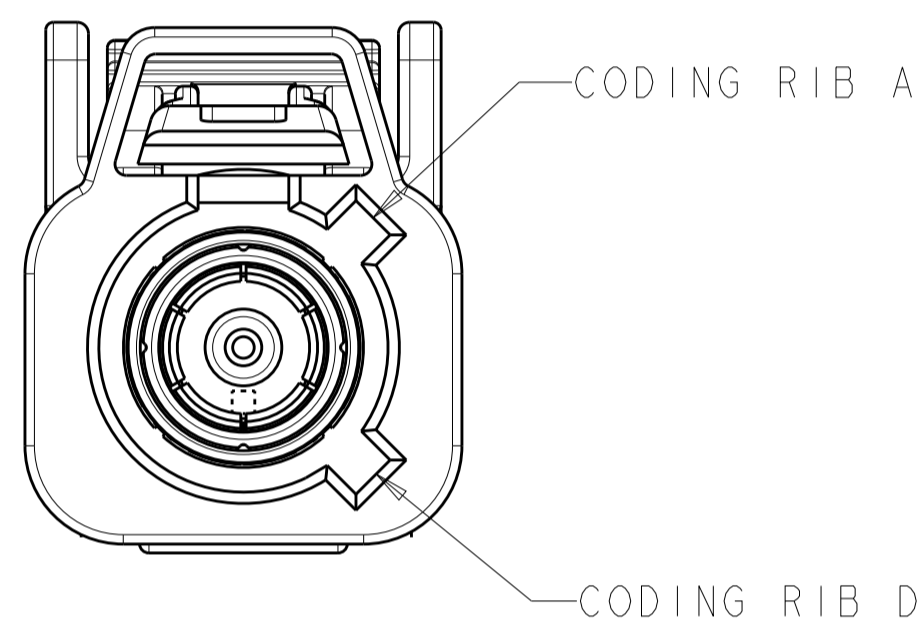
DETAIL A



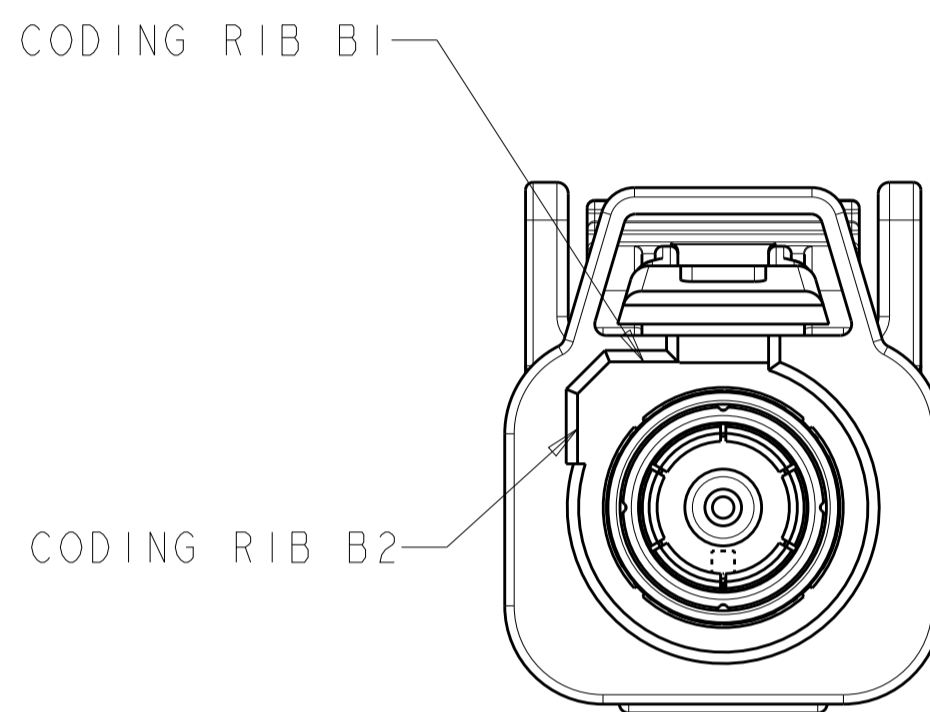
DETAIL B



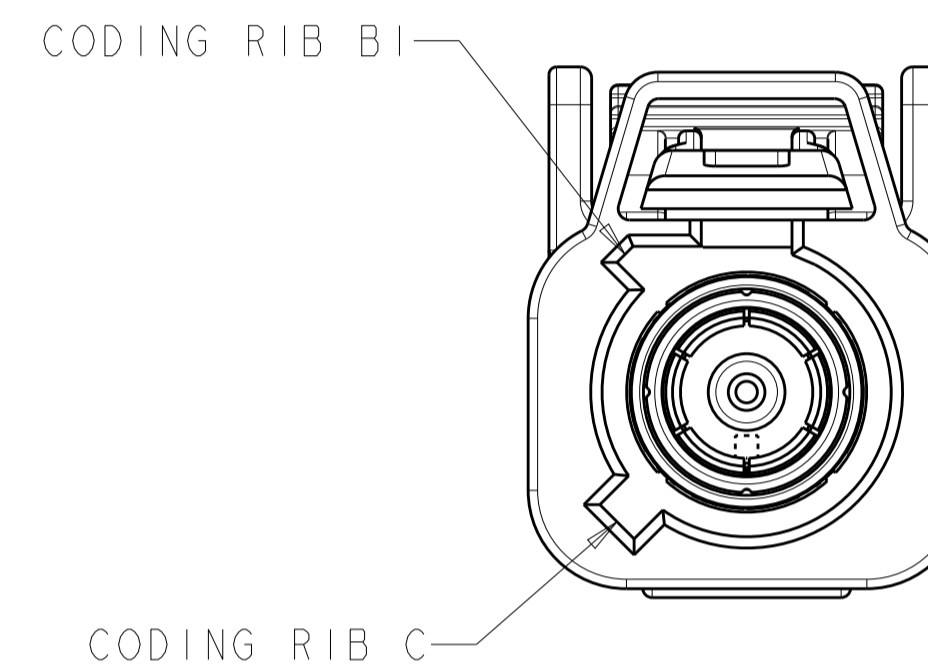
DETAIL C



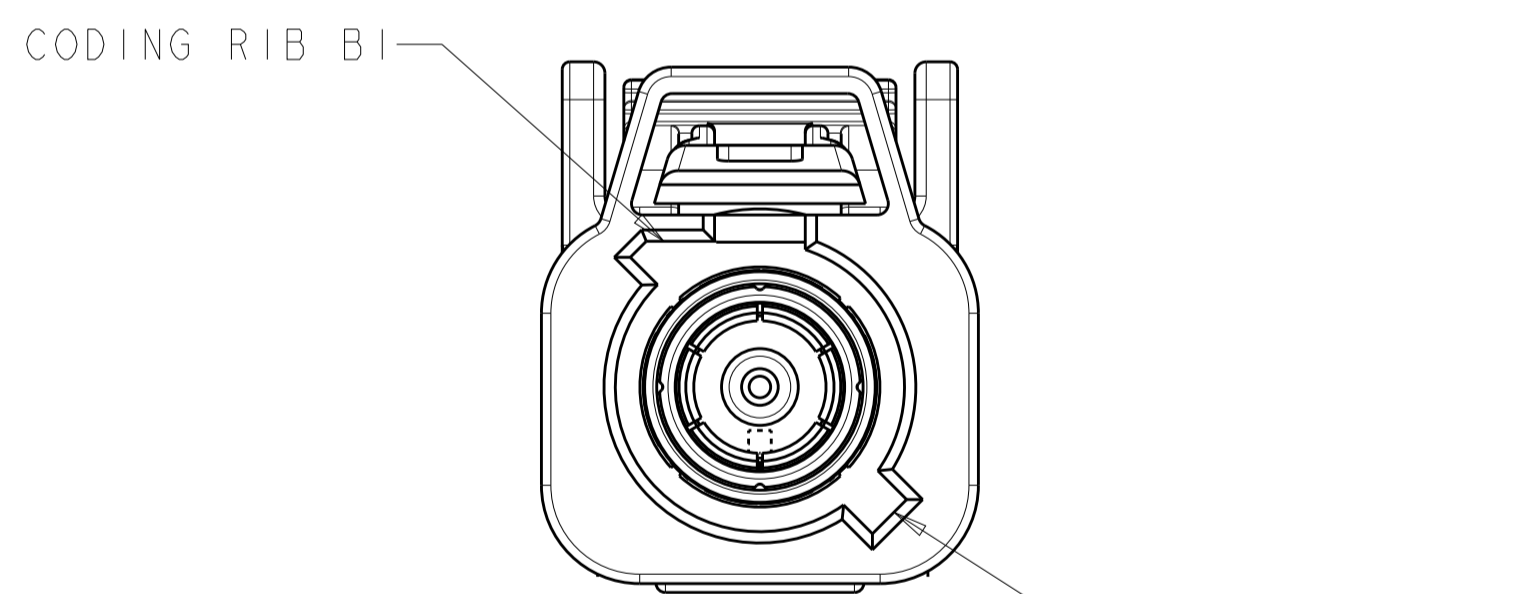
DETAIL D



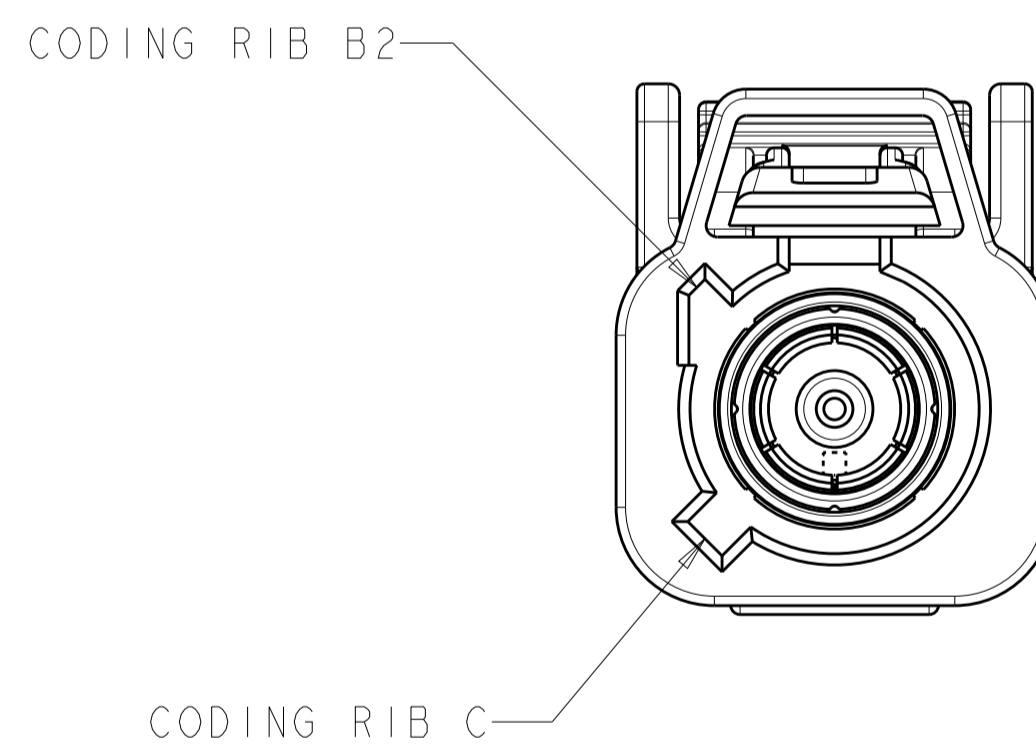
DETAIL E



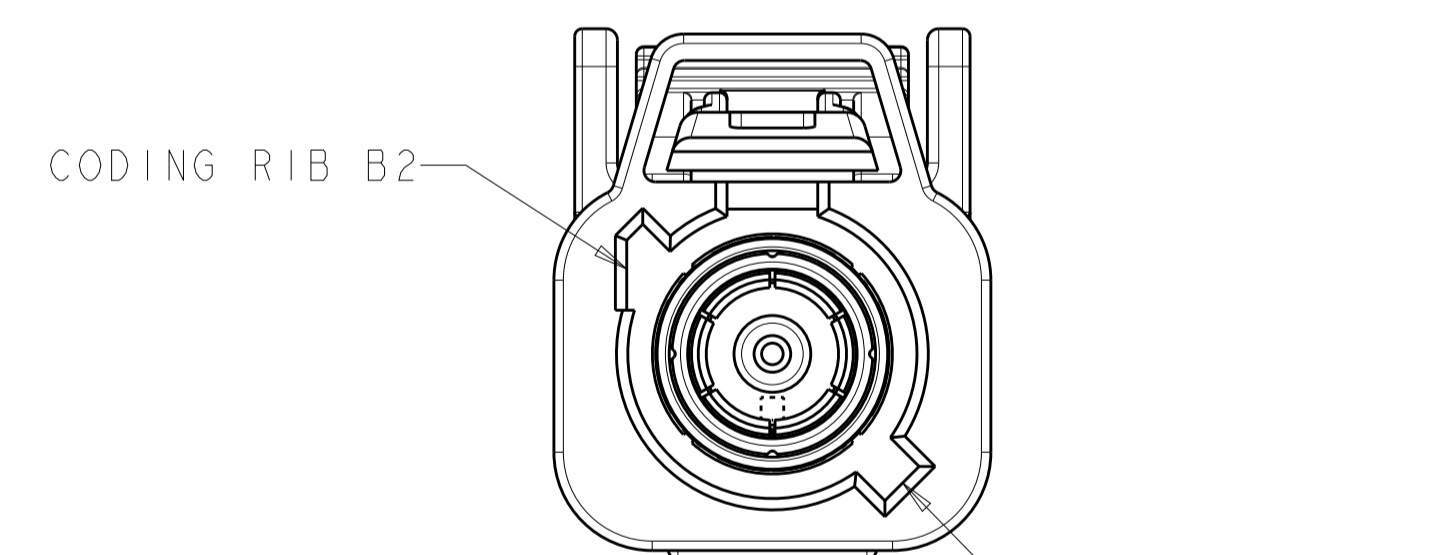
DETAIL F



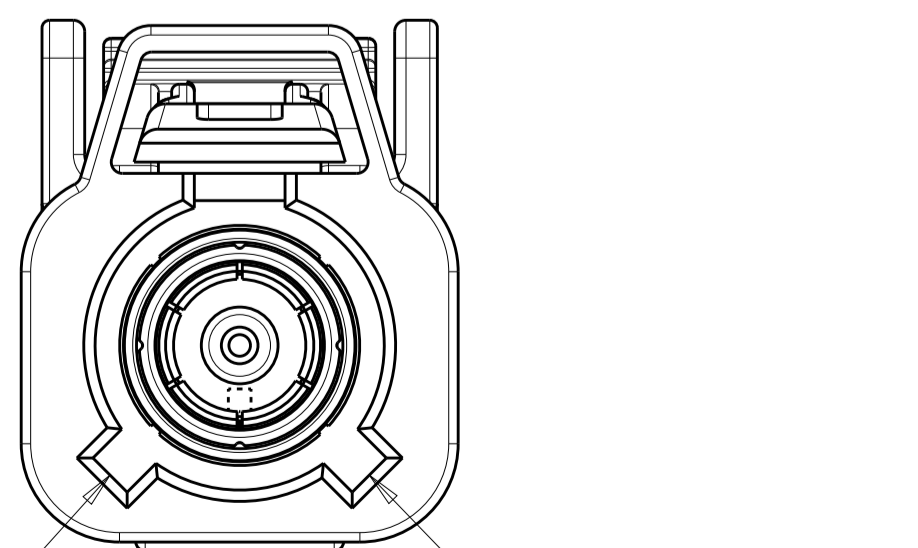
DETAIL G



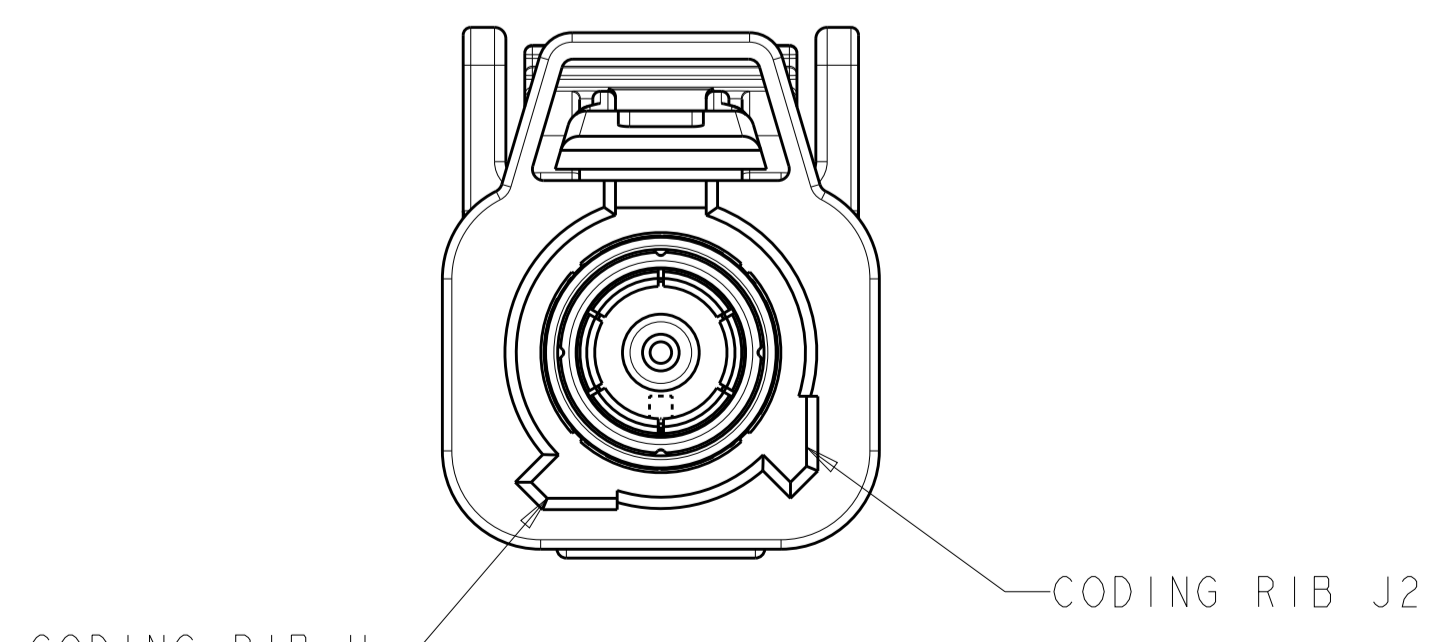
DETAIL H



DETAIL I



DETAIL K



DETAIL M

THIS DRAWING IS A CONTROLLED DOCUMENT.		OWN: D. J. HARDY 05JAN2005	TE Connectivity
DIMENSIONS: mm		CHK: J. W. HALL 27JAN2005	
TOLERANCES UNLESS OTHERWISE SPECIFIED:		APVD: J. W. HALL 27JAN2005	NAME: PLUG KIT, UNASSEMBLED, 1 POSITION, RG-58 OR RG-58 LL.
0 PLC ±	1 PLC ±0.25	PRODUCT SPEC	SIZE: A1
2 PLC ±	3 PLC ±	APPLICATION SPEC	CAGE CODE: C=1438920
4 PLC ±	ANGLES ±	WEIGHT	RESTRICTED TO
MATERIAL	FINISH	Customer Drawing	SCALE: 5:1 SHEET 2 OF 2 REV: D2