

4

3

2

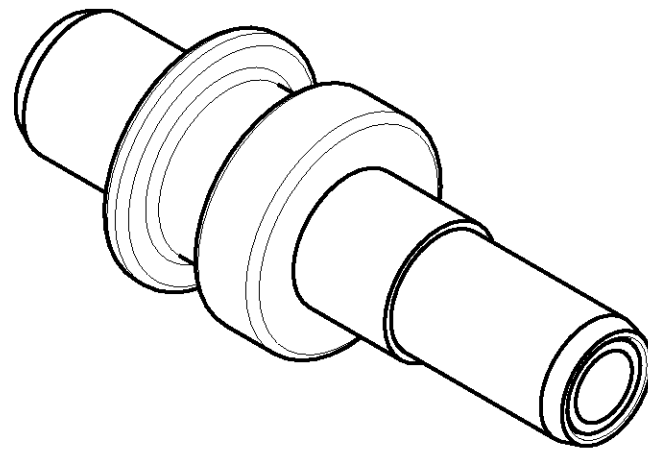
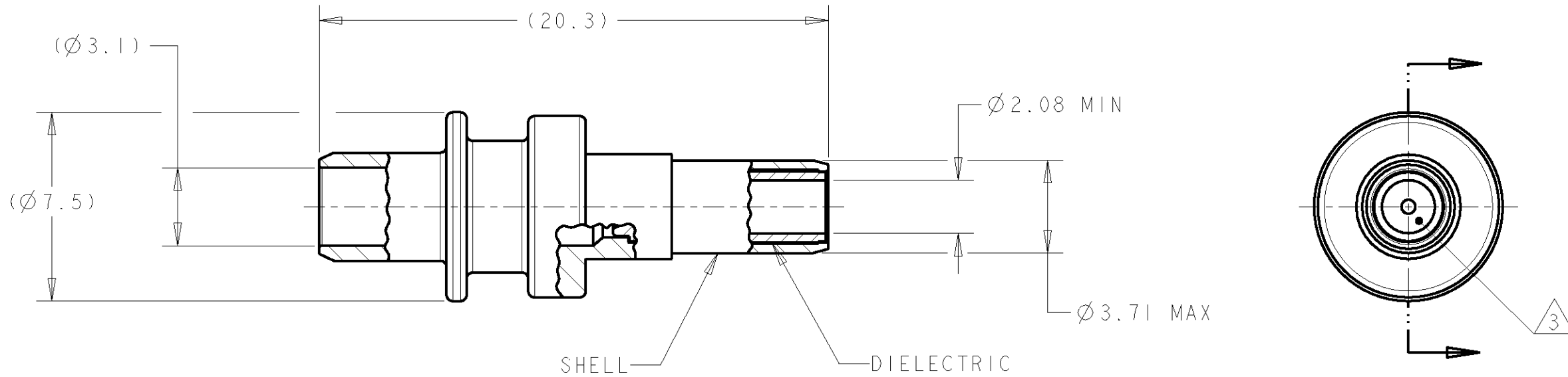
1

THIS DRAWING IS UNPUBLISHED. RELEASED FOR PUBLICATION 20

© COPYRIGHT 20 BY TYCO ELECTRONICS CORPORATION. ALL RIGHTS RESERVED.

LOC	DIST	REVISIONS					
		P	LTR	DESCRIPTION	DATE	DWN	APVD
IN	00		A	INITIAL RELEASE	16MAR2006	DJH	JMR
			B	REVISED PER ECO-06-13525	07JUN2006	DJH	JMR
			C	REVISED PER ECO 07-005153	07MAR2007	DLD	LLV

- 1 SHELL: ZINC.  
DIELECTRIC: POLYESTER PBT, CURRY.
  - 2 SHELL: 2.0µm MIN TIN OVER 1.25µm MIN NICKEL, BOTH OVER 5.08µm MIN COPPER.
  - 3 JACK SUBASSEMBLY INTERFACE PER DIN 72594-1,  
ROAD VEHICLES - RADIO FREQUENCY INTERFACE - DIMENSIONS AND ELECTRICAL REQUIREMENTS.
4. SEE INSTRUCTION SHEET 408-10028.



ISOMETRIC VIEW

1438910-1  
PART  
NUMBER

<small>THIS DRAWING IS A CONTROLLED DOCUMENT FOR TYCO ELECTRONICS CORPORATION IT IS SUBJECT TO CHANGE AND THE CONTROLLING ENGINEERING ORGANIZATION SHOULD BE CONTACTED FOR THE LATEST REVISION.</small>		DWN D. J. HARDY 16MAR2006 CHK J. M. RAUDENBUSH 16MAR2006 APVD J. M. RAUDENBUSH 16MAR2006		<b>tyco</b> Tyco Electronics <b>Electronics</b> Harrisburg, PA 17105-3608	
DIMENSIONS: mm		TOLERANCES UNLESS OTHERWISE SPECIFIED: 0 PLC ±- 1 PLC ±- 2 PLC ±- 3 PLC ±- 4 PLC ±- ANGLES ±-		NAME JACK SUBASSEMBLY, RG-58 OR RG-58 LL, SMB	
MATERIAL 1		FINISH 2		PRODUCT SPEC - APPLICATION SPEC 114-13157 WEIGHT -	
CUSTOMER DRAWING				SIZE A3 CAGE CODE 00779 DRAWING NO. C-1438910	RESTRICTED TO - SCALE 5:1 SHEET 1 OF 1 REV C