

4

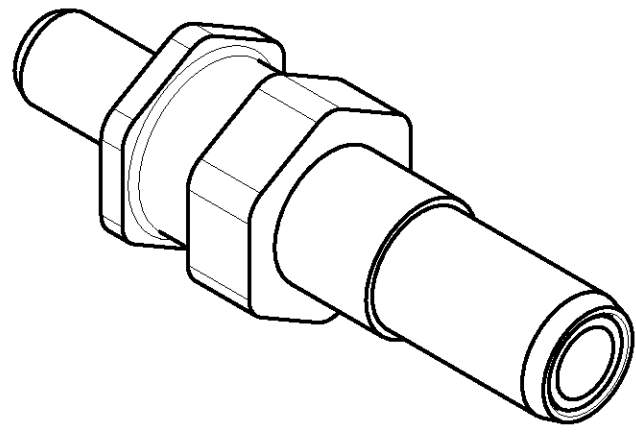
3

2

1

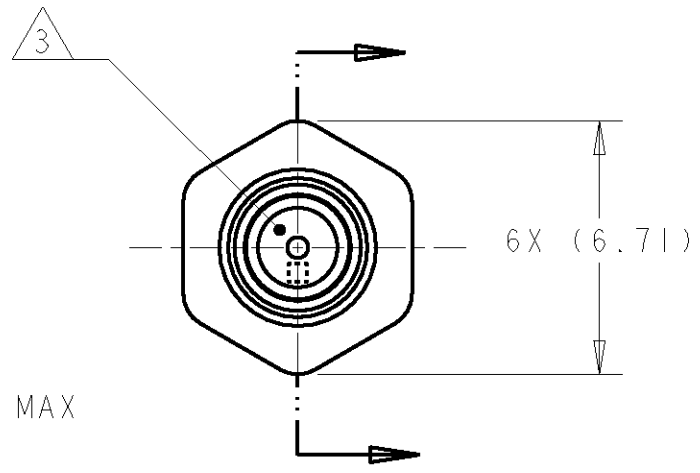
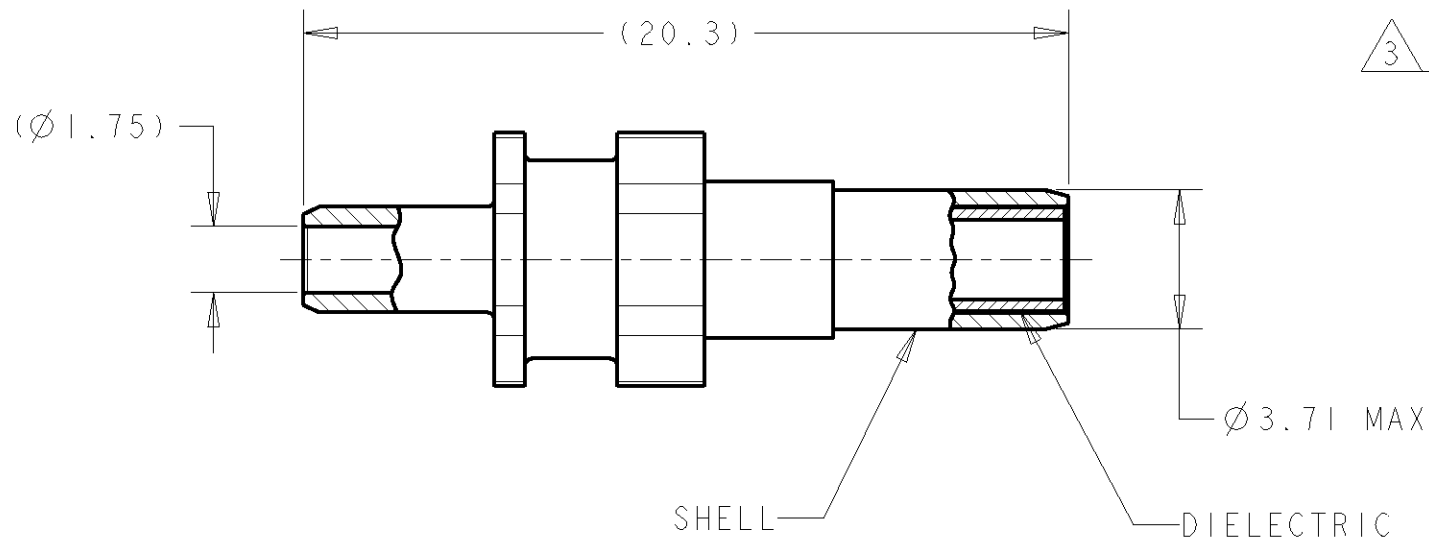
THIS DRAWING IS UNPUBLISHED. RELEASED FOR PUBLICATION 20
 © COPYRIGHT 20 BY TYCO ELECTRONICS CORPORATION. ALL RIGHTS RESERVED.

LOC	DIST	REVISIONS			
P	LTR	DESCRIPTION	DATE	DWN	APVD
		A	INITIAL RELEASE	25JAN2006	DJH JMR
		B	REVISED PER ECR 06-023043	06OCT2006	DLD LLV
		C	REVISED PER ECR 07-014395	22JUN2007	DLD LLV



ISOMETRIC VIEW

- ① SHELL: ZINC.
DIELECTRIC: POLYESTER PBT, CURRY.
 - ② SHELL: 2.0µm MIN TIN OVER 1.25µm MIN NICKEL, BOTH OVER 5.08µm MIN COPPER.
 - ③ JACK SUBASSEMBLY INTERFACE PER DIN 72594-1, ROAD VEHICLES - RADIO FREQUENCY INTERFACE - DIMENSIONS AND ELECTRICAL REQUIREMENTS.
4. SEE INSTRUCTION SHEET 408-10028.



1438908-1
PART NUMBER

<small>THIS DRAWING IS A CONTROLLED DOCUMENT FOR TYCO ELECTRONICS CORPORATION. IT IS SUBJECT TO CHANGE AND THE CONTROLLING ENGINEERING ORGANIZATION SHOULD BE CONTACTED FOR THE LATEST REVISION.</small>		DWN 20JAN2006 D. J. HARDY CHK 25JAN2006 J. M. RAUDENBUSH APVD 25JAN2006 J. M. RAUDENBUSH		Tyco Electronics Harrisburg, PA 17105-3608	
DIMENSIONS: mm		TOLERANCES UNLESS OTHERWISE SPECIFIED: 0 PLC ±- 1 PLC ±- 2 PLC ±- 3 PLC ±- 4 PLC ±- ANGLES ±-		NAME JACK SUBASSEMBLY, 1.5CS-QEHV(TA), RG-316 OR RG-174, SMB	
MATERIAL ①		FINISH ②		PRODUCT SPEC - APPLICATION SPEC 114-13157 WEIGHT -	
CUSTOMER DRAWING				SIZE A3 CAGE CODE 00779 DRAWING NO. C-1438908	RESTRICTED TO -
				SCALE 5:1	SHEET 1 OF 1 REV C