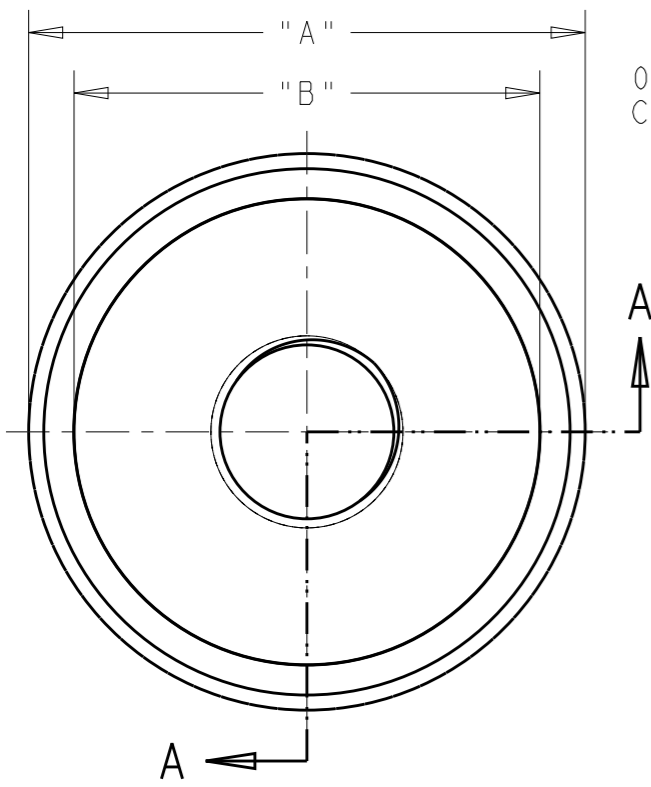


REVISIONS

P	LTR	DESCRIPTION	DATE	DWN	APVD
	99	INITIAL RELEASE	10MAR2017	SK	SS



0.50 [.020] x 45° CHAMFER

STRAIGHT KNURL .031 T.P.I (K MODELS ONLY, SEE TABLE FOR PLAIN FINISH MODELS)

1/4-40 UNS-2B

BREAK SHARP EDGE

"D"

NOTE:

1.  $\sqrt[32]{}$  FINISH OR BETTER.
2. BLACK ANODIZED GUARDS MAY HAVE A SMALL AREA ON THE INNER SURFACE WHERE THERE IS NO ANODIZE DUE TO THE ANODIZING PROCESS.

BUTTON GUARD G-13-K SECTION A-A SHOWN

6.00 [.236]	8.00 [.315]	15.4 [.610]	18.4 [.728]	CHROME PLATED, KNURL	BRASS	G-13-KC	9-1437627-2
				BLACK ANODIZE, KNURL	ALUMINUM 5056-H18	G-13-KB	9-1437627-1
				CLEAR ANODIZE, KNURL	ALUMINUM 5056-H18	G-13-KA	9-1437627-0
				CHROME PLATED, PLAIN	BRASS	G-13-C	8-1437627-9
				BLACK ANODIZE, PLAIN	ALUMINUM 5056-H18	G-13-B	8-1437627-8
				CLEAR ANODIZE, PLAIN	ALUMINUM 5056-H18	G-13-A	8-1437627-7
6.00 [.236]	8.00 [.315]	10.4 [.413]	13.4 [.531]	CHROME PLATED, KNURL	BRASS	G-12-KC	8-1437627-6
				BLACK ANODIZE, KNURL	ALUMINUM 5056-H18	G-12-KB	8-1437627-5
				CLEAR ANODIZE, KNURL	ALUMINUM 5056-H18	G-12-KA	8-1437627-4
				CHROME PLATED, PLAIN	BRASS	G-12-C	8-1437627-3
				BLACK ANODIZE, PLAIN	ALUMINUM 5056-H18	G-12-B	8-1437627-2
				CLEAR ANODIZE, PLAIN	ALUMINUM 5056-H18	G-12-A	8-1437627-1
DIM "D"	DIM "C"	DIM "B"	DIM "A" ±0.30 [.012]	FINISH	MATERIAL	MODEL NO.	TE PART NUMBER

THIS DRAWING IS A CONTROLLED DOCUMENT.

DWN 10MAR2017  
SHIVAKUMAR S S  
CHK 10MAR2017  
SANJAY SHINDIKAR  
APVD 10MAR2017  
SANJAY SHINDIKAR



DIMENSIONS: mm [INCH]	TOLERANCES UNLESS OTHERWISE SPECIFIED:
	0 PLC ± 1 PLC ± 2 PLC ± 3 PLC ±0.13 [.005] 4 PLC ± ANGLES ± 1/2°
MATERIAL SEE TABLE	FINISH SEE TABLE

PRODUCT SPEC	-	NAME BUTTON GUARD
APPLICATION SPEC	-	SIZE A3
WEIGHT	-	CAGE CODE -
CUSTOMER DRAWING	SCALE 2:1	DRAWING NO. G-1437627
	SHEET 1 OF 1	RESTRICTED TO -
		REV 99