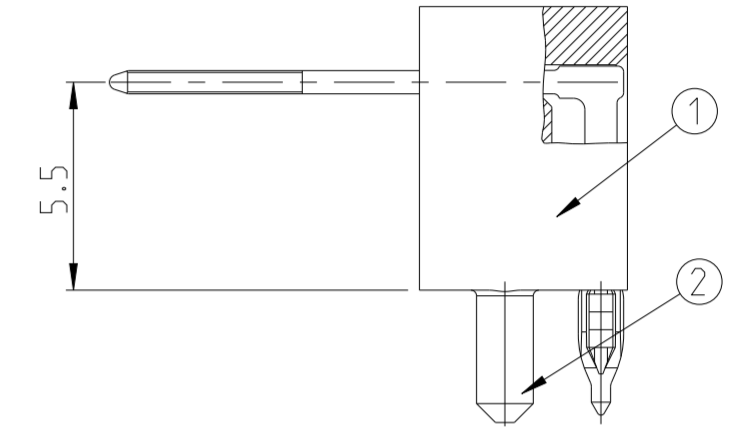
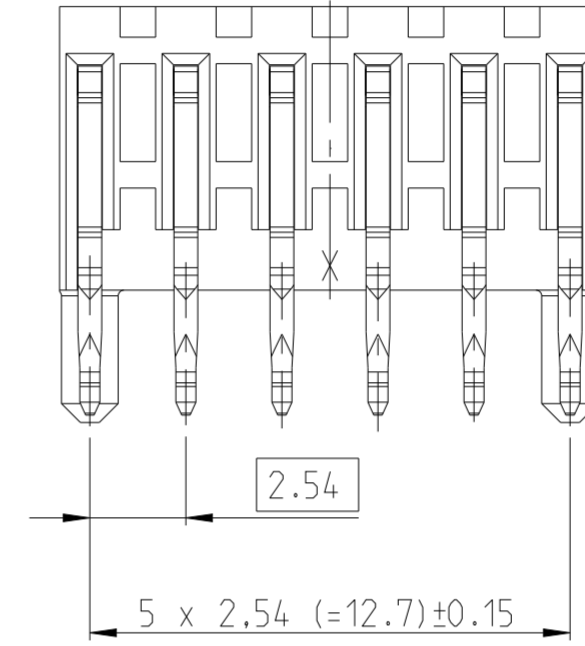
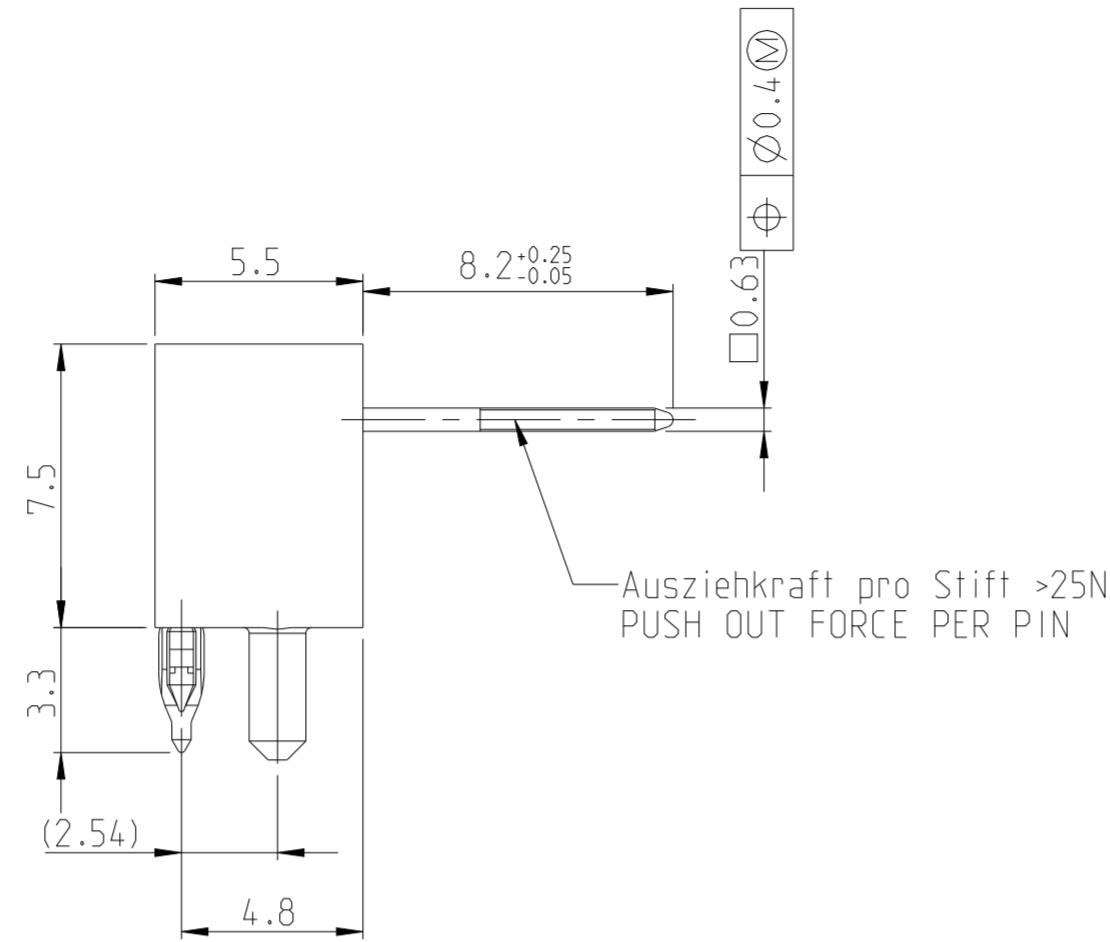
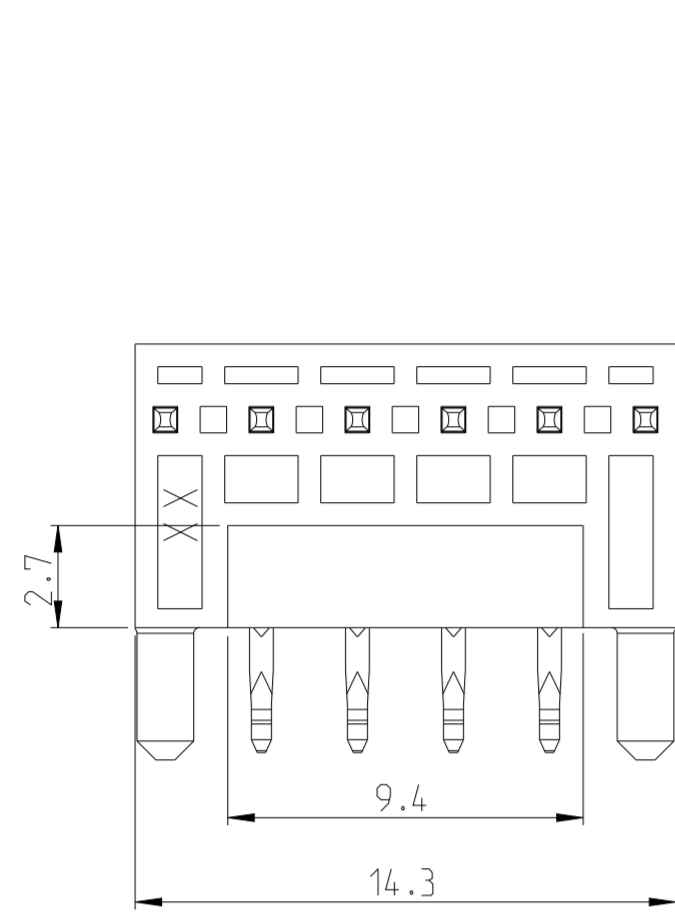
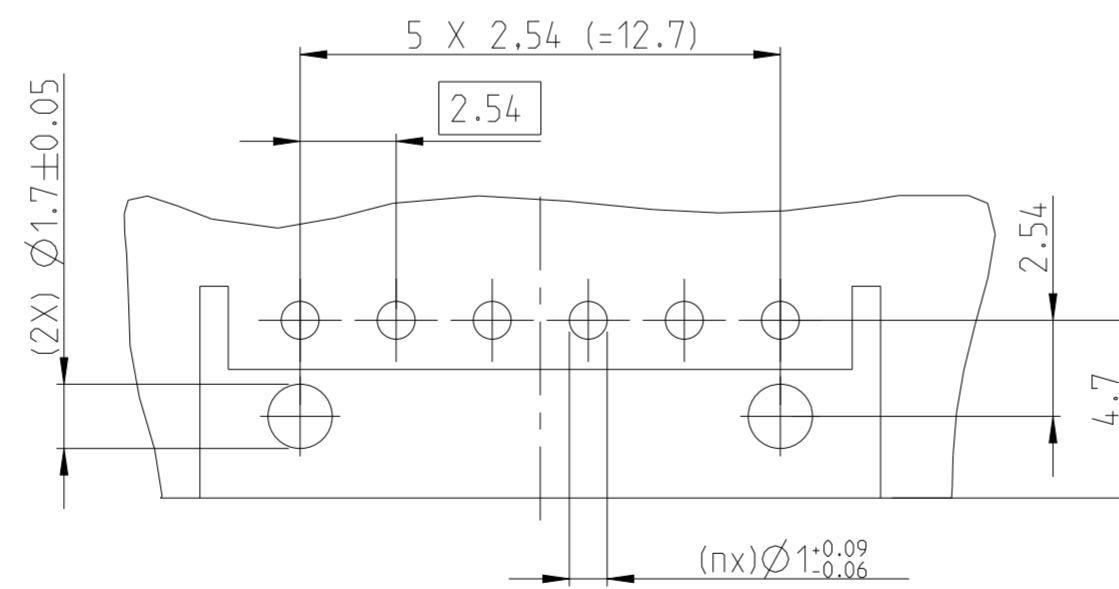
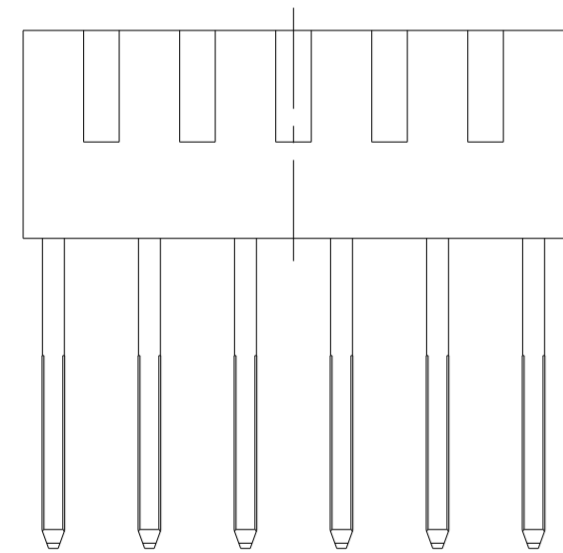


LOC		DIST		REVISIONS			
P	LTR	DESCRIPTION	DATE	DWN	APVD		
A1		Verarbeitungsanweisung...hinzu	30-04-03	KL	MCS		
A2		ECR-16-014427	12OCT2016	KK	ZP		
A3		ECR-23-162662	31OCT2023	MG	MBK		



Leiterplattenlochbild M5:1  
PCB GRID



Verarbeitungsanweisung zum Einpressen der Stifttraeger  
in die Leiterplatte siehe Spec. 114-18594

5-1393472-1 (V23540-B3606-Z11)	A	CuSn6	Sn	TAB	-	2
		PBT-GF30	-	HEADER	NATUR	1
A3 1418542-1 OBSOLETE	A	CuSn6	Au	TAB	-	2
		PBT-GF30	-	HEADER	NATUR	1
TE ASSY NO.	REV	MATERIAL	SURFACE	DESCRIPTION	COLOUR	ITEM

PARTS LIST

SUPERSEDES EC DRAWING/  
 Ersatz fuer EC-Zeichnung  
 V23540-B3606-Z11-02-7427

THIS DRAWING IS A CONTROLLED DOCUMENT.		DWN Kleider 08JUL2002	TE Connectivity Massbild Stifttraeger DIM. DRAW. PIN SUPPORT	
DIMENSIONS: mm		CHK Schall 08JUL2002		
TOLERANCES UNLESS OTHERWISE SPECIFIED:		APVD -	NAME	
0 PLC ±		PRODUCT SPEC -	SIZE CAGE CODE DRAWING NO. RESTRICTED TO	
1 PLC ±		APPLICATION SPEC 114-18494	A2 00779 C-1418542	
2 PLC ±		WEIGHT -	SCALE 5:1 SHEET 1 OF 1 REV A3	
3 PLC ±		CUSTOMER DRAWING		
4 PLC ±				
ANGLES ±°				
FINISH				