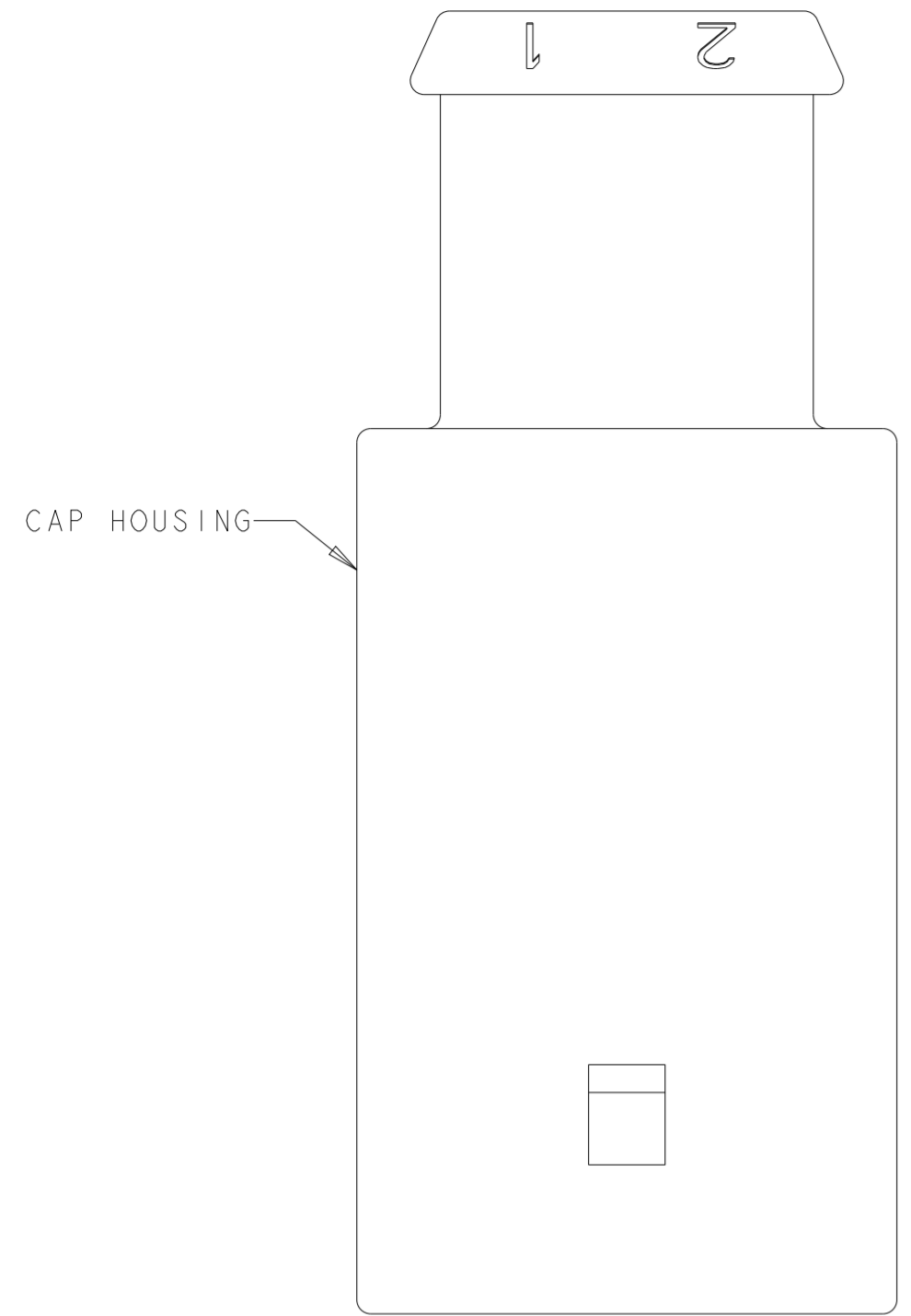
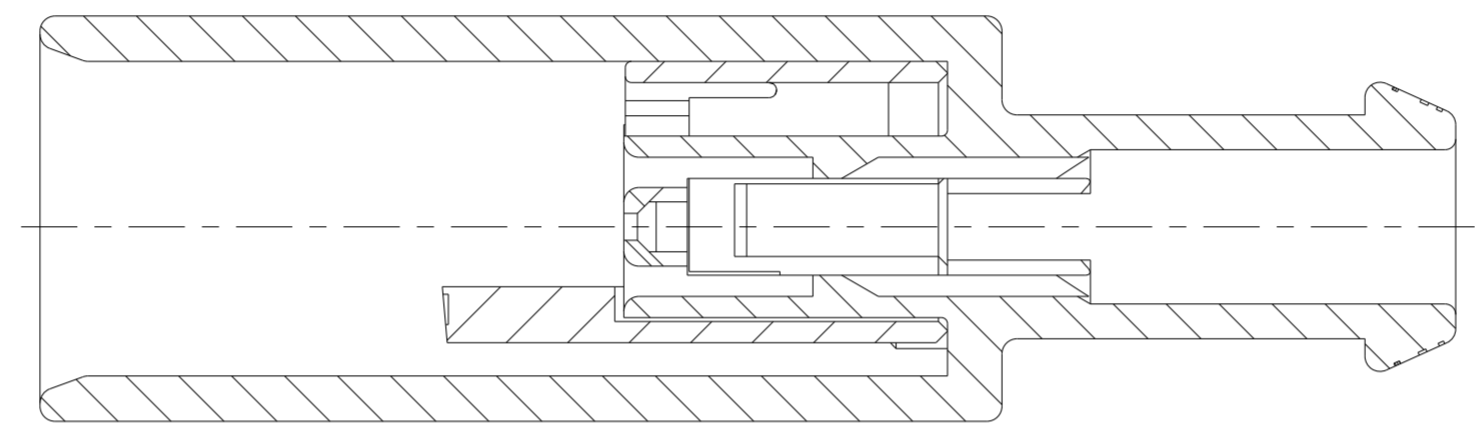
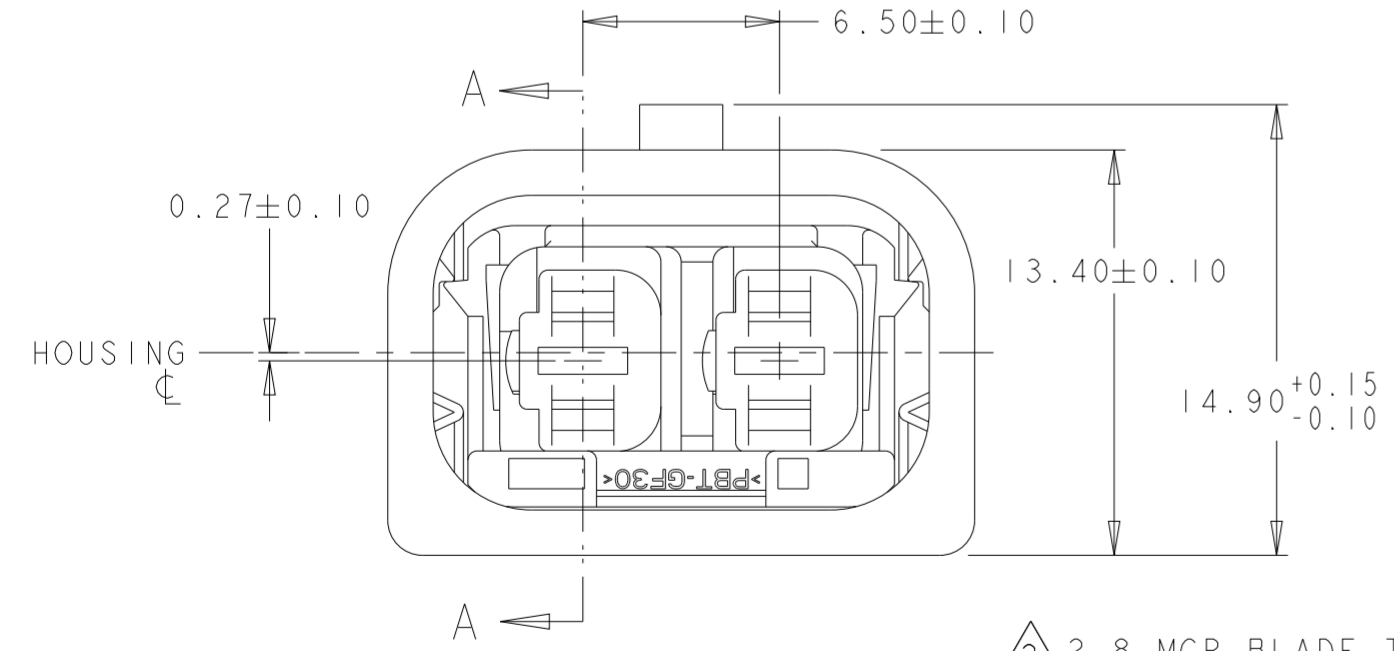


THIS DRAWING IS UNPUBLISHED. RELEASED FOR PUBLICATION 20  
 © COPYRIGHT 20 BY TYCO ELECTRONICS CORPORATION. ALL INTERNATIONAL RIGHTS RESERVED.

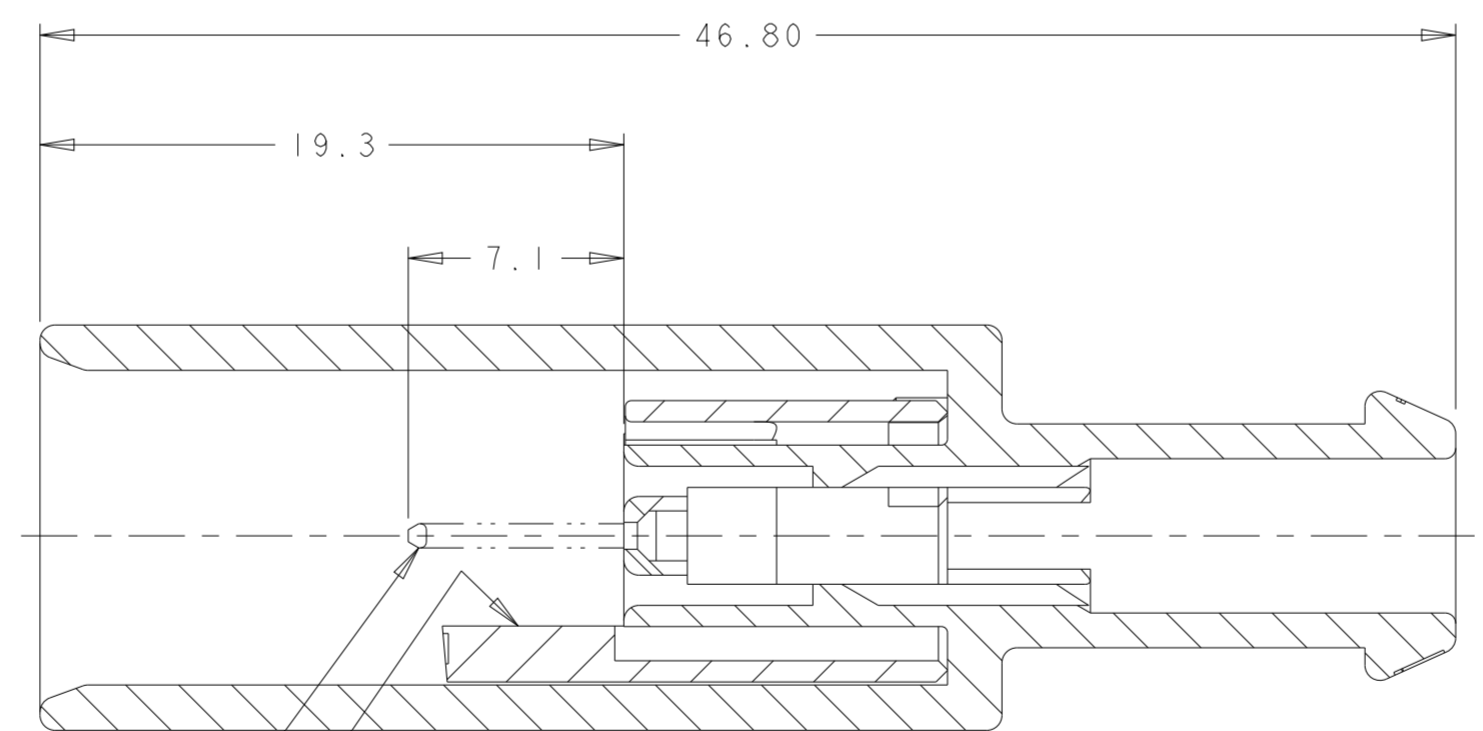
LOC	DIST	REVISIONS					
AA	00	P	LTR	DESCRIPTION	DATE	DWN	APVD
		7		REVISED PER ECO-10-003029	10FEB2010	DD	TW
		A		RELEASED PER ECO-10-006107	24MAR2010	DD	TW
		B		REVISED PER ECO-10-015609	29JUL2010	DD	TW
		BI		REVISED PER ECN-21-118823	22SEP2021	CN	JV



19.40 ± 0.20



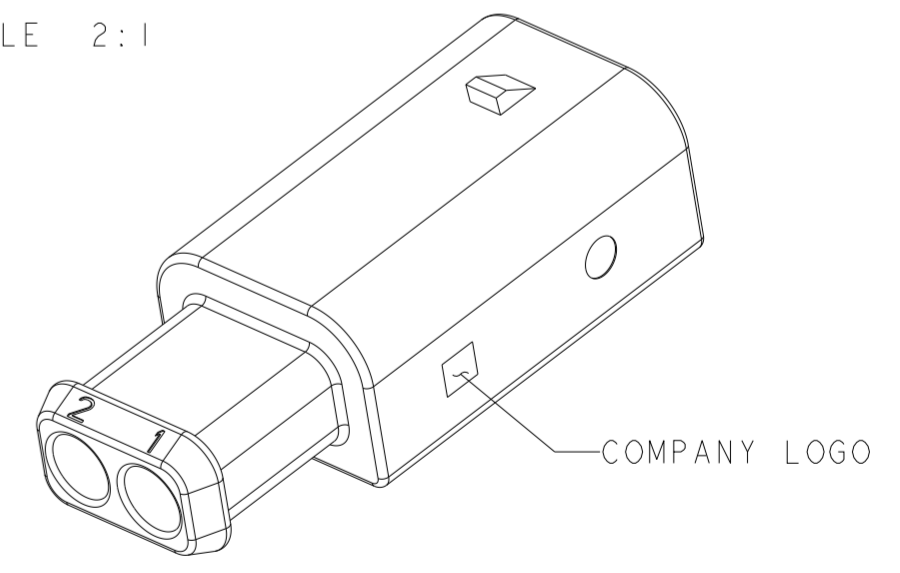
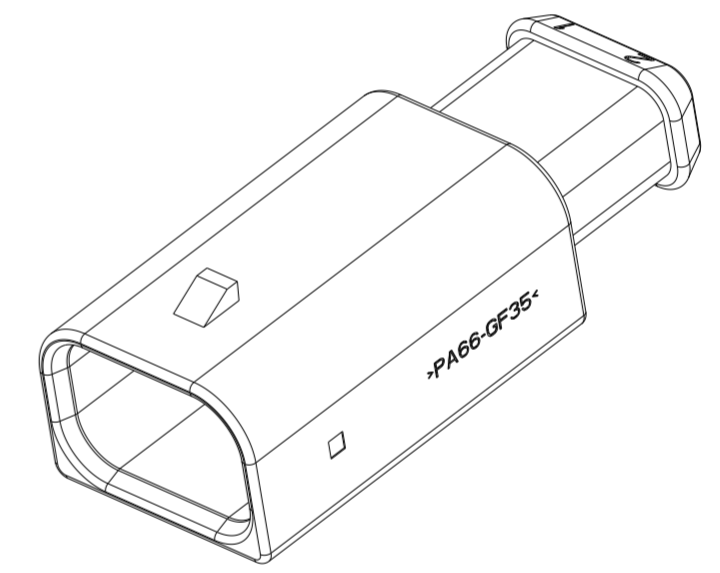
SECTION A - A  
(LOCKING PLATE SHOWN IN PRESET POSITION)



SECTION A - A  
(LOCKING PLATE SHOWN IN LOCKED POSITION)

2.8 MCP BLADE TERMINAL  
 RETAINER

- 1 MATERIAL: HOUSING - POLYAMIDE MOLDING COMPOUND, 35% GLASS FILLED, COLOR: BLACK.  
 RETAINER - POLYESTER MOLDING COMPOUND, 30% GLASS FILLED, COLOR: YELLOW.
- 2 CONTACT CIRCUITS DESIGNED TO RECEIVE TYCO ELECTRONICS (TE) 2.8 MCP BLADES AND WIRE SEALS. REFER TO TE C1355052.  
 WIRE SIZES ACCOMODATED BY THIS DESIGN RANGE FROM 18AWG (0.8mm<sup>2</sup>) TO 14AWG (2.0mm<sup>2</sup>).
- 3. MATES WITH 2 POSITION ASSEMBLY, TE PN 1326455-1 AND WIRE DRESS, TE PN 1326459-1.
- 4. NOTE DELETED.



1326743-1  
 PART NUMBER

THIS DRAWING IS A CONTROLLED DOCUMENT FOR TYCO ELECTRONICS CORPORATION IT IS SUBJECT TO CHANGE AND THE CONTROLLING ENGINEERING ORGANIZATION SHOULD BE CONTACTED FOR THE LATEST REVISION.		DWN B. HOLTZCLAW 23MAY2006 CHK T. WOJTACKI 23MAY2006 APVD T. WOJTACKI 23MAY2006	Tyco Electronics Harrisburg, PA 17105-3608
DIMENSIONS: mm	TOLERANCES UNLESS OTHERWISE SPECIFIED: 0 PLC ±0.13 1 PLC ±0.13 2 PLC ±0.13 3 PLC ±0.13 4 PLC ±0.13 ANGLES ± FINISH	PRODUCT SPEC 108-2430 APPLICATION SPEC - WEIGHT - CUSTOMER DRAWING	NAME ASSEMBLY, CAP, SEALED, 2 POSITION, MCP 2.8 SIZE A2 CAGE CODE 0779 DRAWING NO C-1326743 RESTRICTED TO
		SCALE 4:1	SHEET 1 OF 1 REV BI