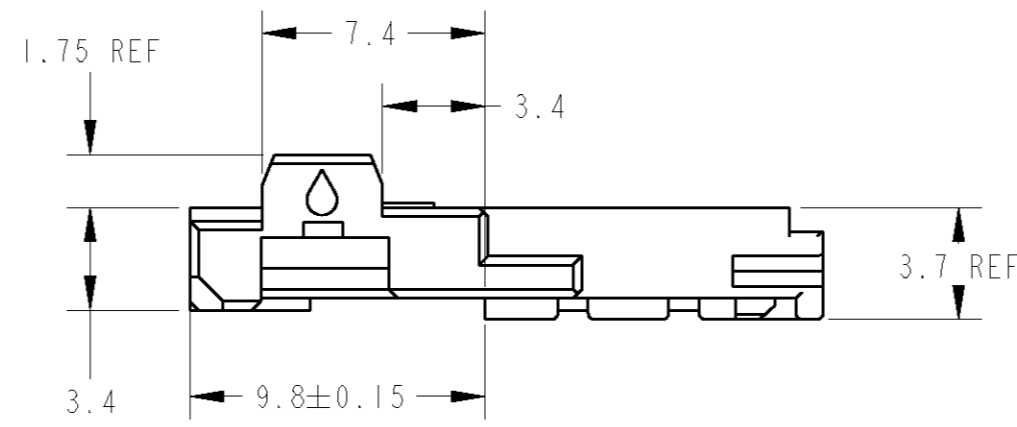
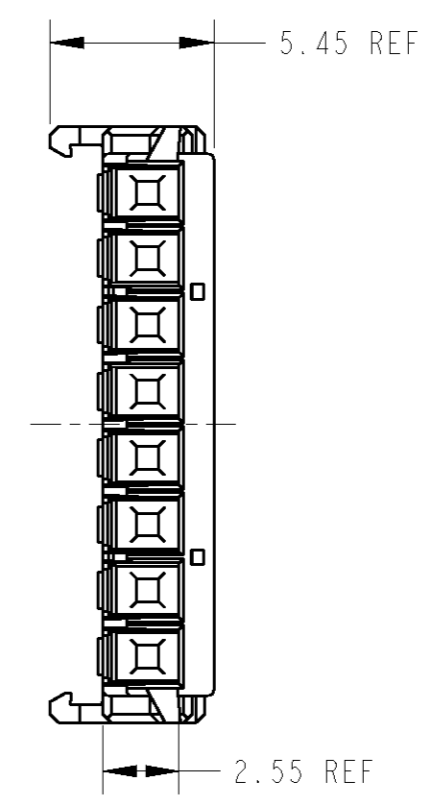
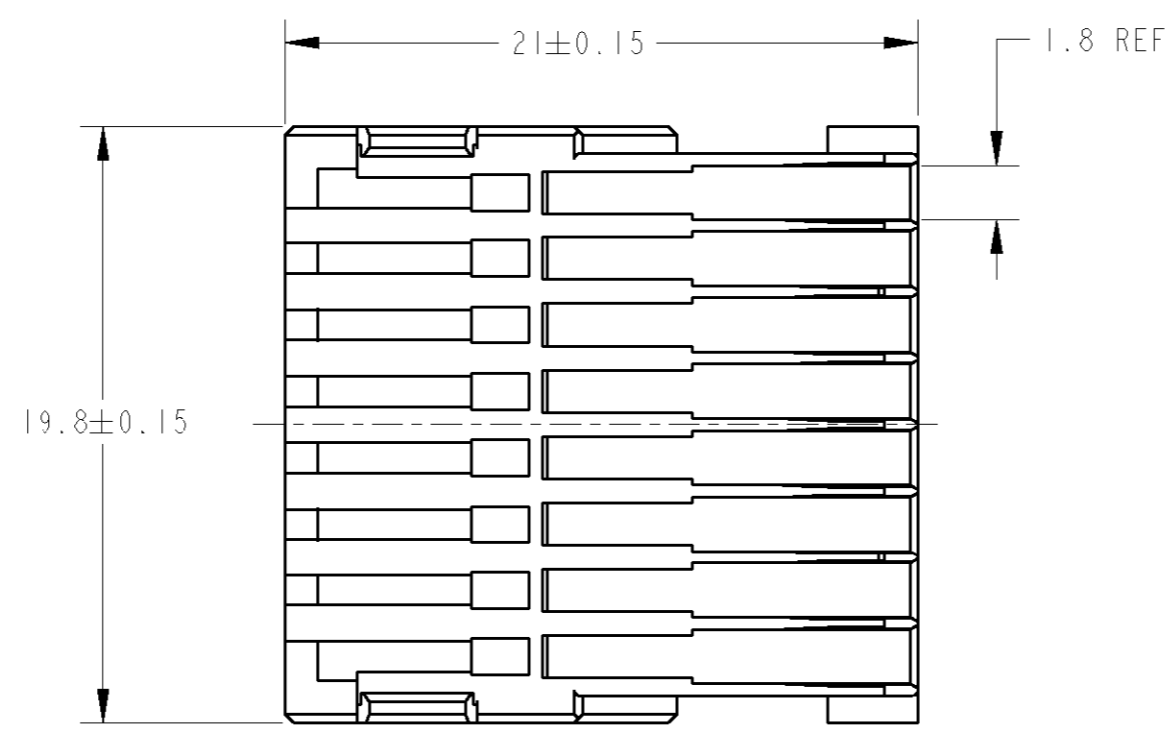
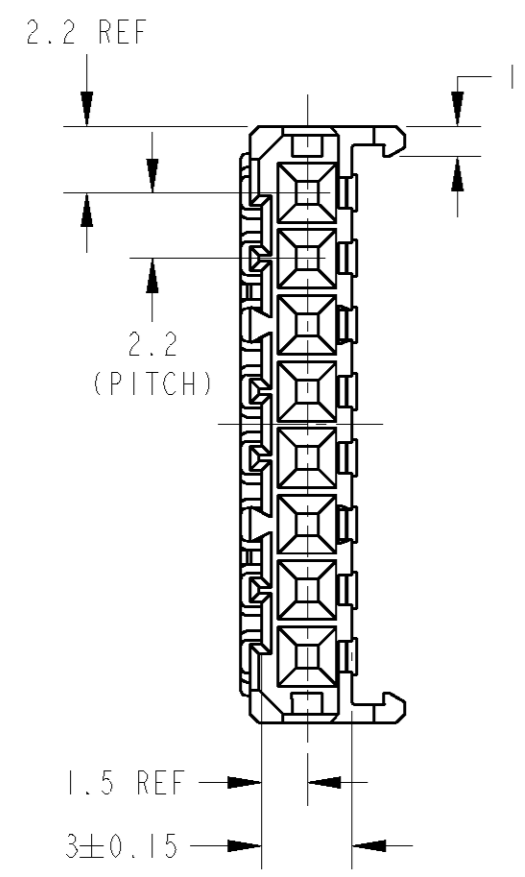


THIS DRAWING IS UNPUBLISHED. RELEASED FOR PUBLICATION 20
 © COPYRIGHT 20 BY TYCO ELECTRONICS CORPORATION. ALL RIGHTS RESERVED.

LOC		DIST		REVISIONS				
P	LTR	DESCRIPTION		ECN	DATE	DWN	APVD	
	0	RELEASED		FJ00-0659-01	30MAR01	S. A	N. S	



- 1. 適用ターミナル品番: 1318688
- 2. 本品はロックハウジング型番 1318694を装着して使用する。
- 3. 取扱説明書; 411-5912

- 1. APPLICABLE TERMINAL PART NO: 1318688
- 2. PLUG HOUSING MUST BE USED WITH LOCK HOUSING P/N: 1318694
- 3. INSTRUCTION SHEET No; 411-5912

NATURAL	1318692-1
HOUSING COLOR	PART NUMBER

THIS DRAWING IS A CONTROLLED DOCUMENT FOR TYCO ELECTRONICS CORPORATION IT IS SUBJECT TO CHANGE AND THE CONTROLLING ENGINEERING ORGANIZATION SHOULD BE CONTACTED FOR THE LATEST REVISION.		DWN S. AMEMIYA 30MAR01	Tyco Electronics AMP K.K. Kawasaki, Japan		
DIMENSIONS: 単位: 英 mm		CHK N. SAI 30MAR01			
TOLERANCES UNLESS OTHERWISE SPECIFIED: 一般公差: ±0.3		APVD N. SAI 30MAR01	NAME 名称 8 POSITION PLUG HOUSING 025 IDC CONNECTOR		
0-PLC ± 1-PLC ±0.1 2-PLC ±0.01 3-PLC ±0.001 4-PLC ±0.0001 ANGLES ±3°00'		PRODUCT SPEC 製品規格 108-5660			
MATERIAL 材料 PBT		FINISH 仕上 SEE TABLE	APPLICATION SPEC 取付適用規格 114-5276	SIZE A3	RESTRICTED TO
		WEIGHT 0.9g	APPLICATION SPEC 取付適用規格 114-5276	CAGE CODE 00779	DRAWING NO 1318692
		CUSTOMER DRAWING	SCALE 尺度 4:1	SHEET 1	OF 1
					REV 0