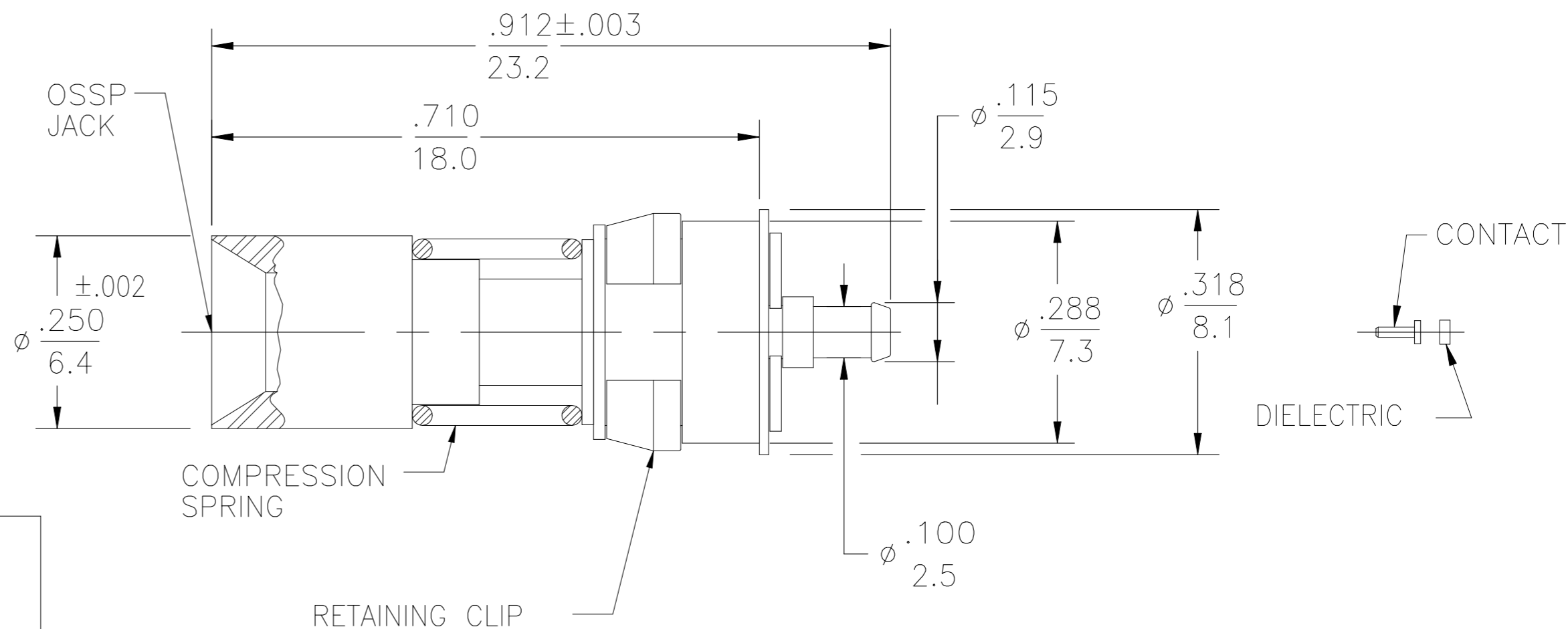
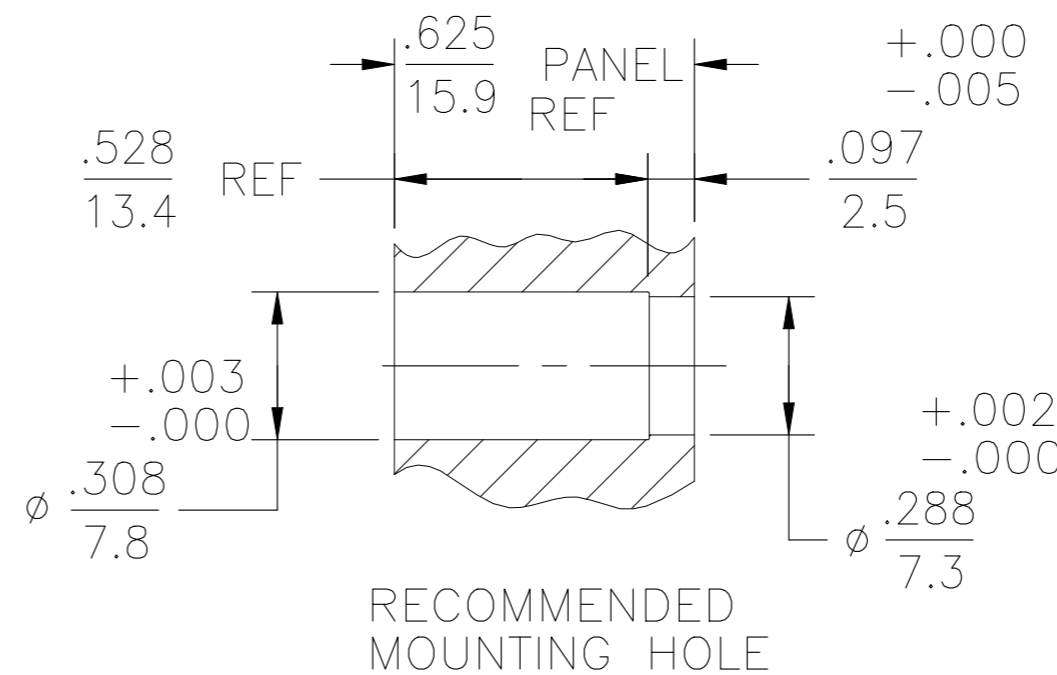


ELECTRICAL	MECHANICAL	ENVIRONMENTAL
Nominal Impedance (Ohms) <u>50</u>	Interface Dimensions <u>SEE TYCO ELECTRONICS CATALOG</u>	TEMPERATURE RATING <u>-65° TO +105°C</u>
Frequency Range (GHz) <u>DC to 28</u>	Mating Characteristics:	Vibration MIL-STD-202, Method 204, Condition D, 20 G's
Volt Rating (VRMS MAX) @ Sea Level <u>335</u>	Insertion (MAX Lbs) <u>3</u>	Shock MIL-STD-202, Method 213, Condition I, 100 G's
VSWR <u>1.05+.01f(GHz)</u>	Withdrawal (MIN Oz) <u>0.5</u>	Thermal Shock MIL-STD-202, Method 107, Condition B
Insertion Loss (dB MAX) <u>.04x√f(GHz)</u>	Force to Engage (In-Lbs MAX) <u>3</u>	Moisture Resistance MIL-STD-202, Method 106
RF Leakage (dB MIN) (Interface Only, Fully Mated) <u>-(90-f(GHz))</u>	& Disengage (In-Lbs MAX) <u>1.5</u>	Corrosion - MIL-STD-202, Method 101, Condition B
Corona, 70,000 Ft (VRMS MIN) <u>250</u>	Center Contact Captivation	
Dielectric Withstanding Voltage (VRMS MIN) @ Sea Level <u>675</u>	Axial (Lbs) <u>4</u>	
Contact Resistance (Milliohms MAX)		
Center Contact <u>6.0</u>		
Outer Contact <u>3.0</u>		
Cable to Housing <u>0.5</u>		
RF High Potential @ Sea Level (VRMS MIN @ 5 MHz) <u>675</u>		
I.R.(Megohms MIN) <u>5000</u>		

DESIGNED FOR USE WITH UFF 070A CABLE
CABLE ENTRY DIAMETER MINIMUM
HOUSING <u>.075</u>
CONTACT <u>.021</u>

REVISIONS				
P	LTR	DESCRIPTION	DATE	APVD
F		REVISED PER ECN-23-227817	23AUG2023	LP PD

- CONNECTOR ALLOWS FOR .060 MINIMUM AXIAL FLOAT
- PARTS TO BE UNASSEMBLED FOR ASSEMBLY PURPOSES.



WARNING - THIS DOCUMENT CONTAINS TECHNOLOGY WHOSE EXPORT IS RESTRICTED BY THE EXPORT ADMINISTRATION REGULATIONS ("EAR") PURSUANT TO 15 C.F.R. PARTS 730-774. VIOLATIONS OF THE EAR ARE SUBJECT TO SEVERE CRIMINAL PENALTIES UNDER THE EXPORT CONTROL REFORM ACT, AS AMENDED (TITLE 50, U.S.C., SEC. 4801, ET SEQ.).

COMPONENT	MATERIAL	FINISH
HOUSING	STAINLESS STEEL PER ASTM-A484 AND ASTM-A582, TYPE 303	GOLD PLATE PER MIL-G-45204
BUSHING WASHER	STAINLESS STEEL PER ASTM-A484 AND ASTM-A582, TYPE 303	PASSIVATE PER QQ-P-35
DIELECTRIC	PTFE FLUOROCARBON PER ASTM-D-1457	N/A
CENTER CONTACT CONTACT SLEEVE	BERYLLIUM COPPER PER ASTM-B-196 OR ASTM-B-197, ALLOY C17300, CONDITION H	GOLD PLATE PER MIL-G-45204
RETAINING RING	STAINLESS STEEL	PASSIVATED
RETAINING CLIP	BERYLLIUM COPPER PER ASTM-B-196, ALLOY C17300, CONDITION H	CADMIUM PLATE PER QQ-P-416
CONTACT RING	BERYLLIUM COPPER PER ASTM-B-194, ALLOY C17200, CONDITION H	GOLD PLATE PER MIL-G-45204
SPRING	STAINLESS STEEL	PASSIVATED PER QQ-P-35

1311950-2
PART NUMBER

THIS DRAWING IS A CONTROLLED DOCUMENT.		DWN RUDY 2/27/98	TE Connectivity	
DIMENSIONS: INCHES		CHK J. HAVENER 1.3AUG03	NAME	
TOLERANCES UNLESS OTHERWISE SPECIFIED:		APVD J. HAVENER 1.3AUG03	OOSP FLOATING PANEL FEEDTHRU REAR MOUNT CABLE JACK - DIRECT SOLDER ATTACHMENT (4710-5009-00)	
0 PLC ± -		PRODUCT SPEC	SIZE	CAGE CODE
1 PLC ± -		APPLICATION SPEC	A2	00779
2 PLC ± -		WEIGHT	DRAWING NO	
3 PLC ± .005/(0.13)		0.000000	C=1311950	
4 PLC ± -		CUSTOMER DRAWING	SCALE	SHEET
ANGLES ± 1°			4:1	1 OF 1
MATERIAL SEE TABLE	FINISH SEE TABLE	RESTRICTED TO		REV
		-		F