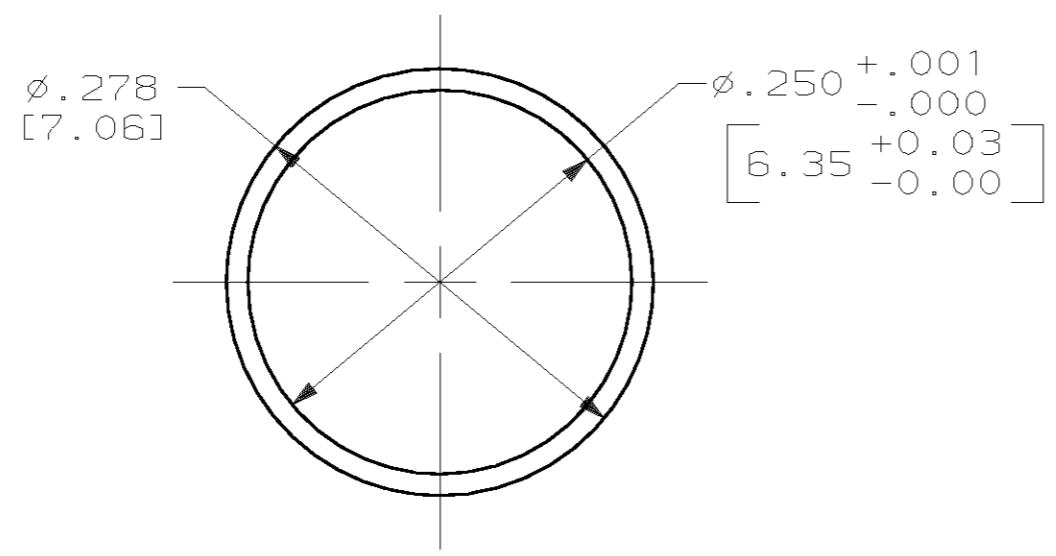
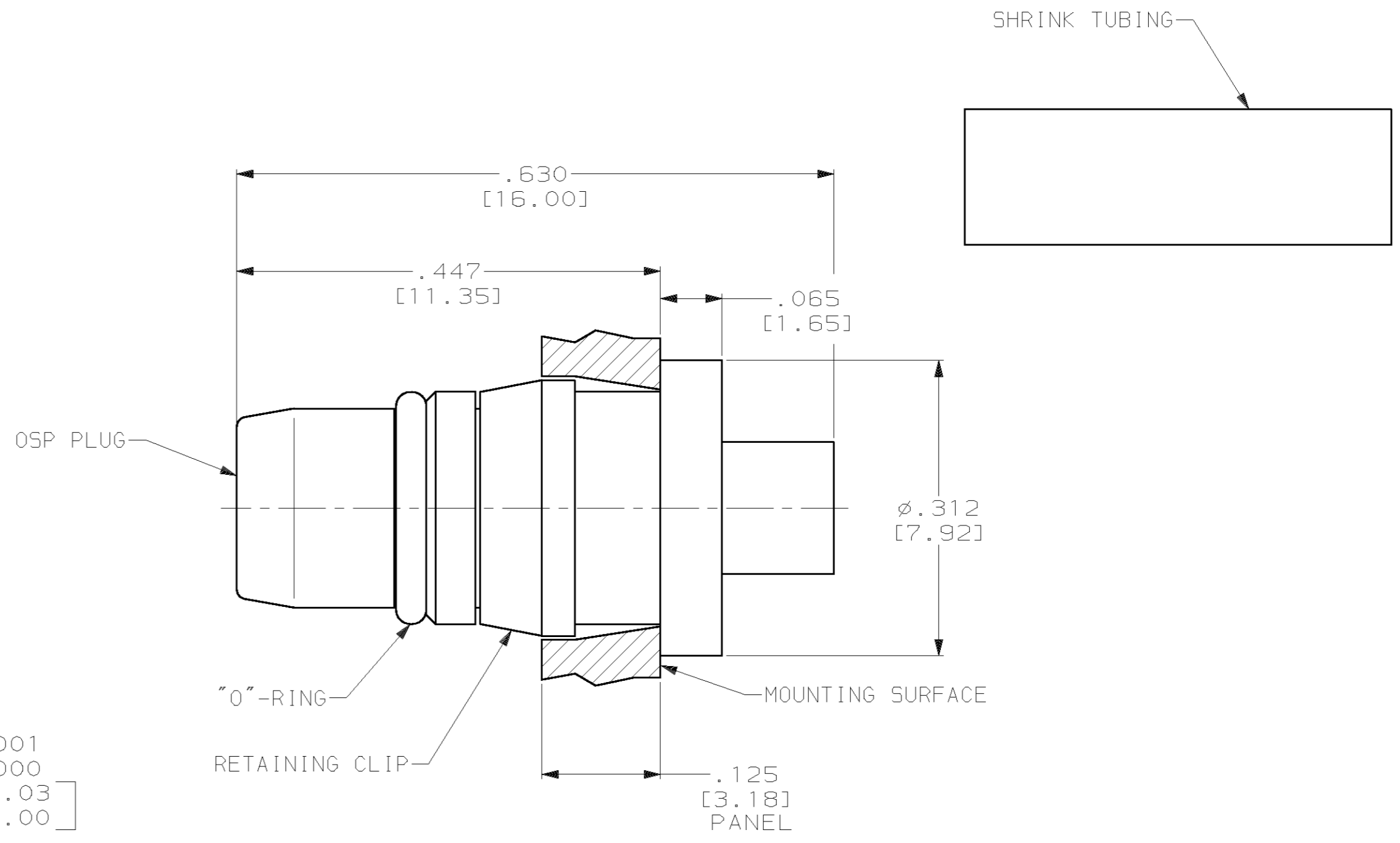


THIS DRAWING IS UNPUBLISHED. RELEASED FOR PUBLICATION  
 (C) COPYRIGHT 19 BY AMP INCORPORATED, ALL RIGHTS RESERVED.

LOC		DIST		REVISIONS			
P	LTR	DESCRIPTION	DATE	DWN	APVD		
DF	XO	0	RELEASED	10-01	CT	RG	

COMPONENT	MATERIAL	FINISH
HOUSING CLAMP NUT MOUNTING NUT	STAINLESS STEEL PER ASTM-A-484 OR ASTM-A-582 TYPE 303	GOLD PLATED PER ASTM-B-488
DIELECTRIC	PTFE FLUORCARBON PER ASTM-D-1457	-
CENTER CONTACT	BERYLLIUM COPPER PER ASTM-B-196 OR ASTM-B-197 ALLOY C17300, CONDITION H	GOLD PLATED PER ASTM-B-488
"O"-RING	BUNA-N PER MIL-P-25732	-
SHRINK TUBING	HEAT SHRINKABLE POLYOLEFIN COMPOUND PER MIL-I-23053/4	-



RECOMMENDED MOUNTING HOLE

1218776-1  
 PART NO.

DESIGNED TO USE .085 SR CABLE CABLE ENTRY DIAMETER MIN		HOUSING: .089		CONTACT: .020		MATERIAL: SEE TABLE		FINISH: SEE TABLE		THIS DRAWING IS A CONTROLLED DOCUMENT.		DWN: C.C. THOMAS 10-3-01		CHK: R. GROSS 10-3-01		APVD: R. GROSS 10-3-01		NAME: AMP TYCO Electronics Corporation Harrisburg, PA 17105-3608											
DIMENSIONS: INCHES [mm]		TOLERANCES UNLESS OTHERWISE SPECIFIED:		0 PLC ±-		1 PLC ±-		2 PLC ±-		3 PLC ±.005 [0.13]		4 PLC ±-		ANGLES ±-		PRODUCT SPEC: -		APPLICATION SPEC: -		WEIGHT: -		CUSTOMER DRAWING		SCALE: 8:1		SHEET: 1 OF 1		REV: 0	
SIZE: A2		CAGE CODE: 00779		DRAWING NO: 1218776		RESTRICTED TO: -																							

1218776