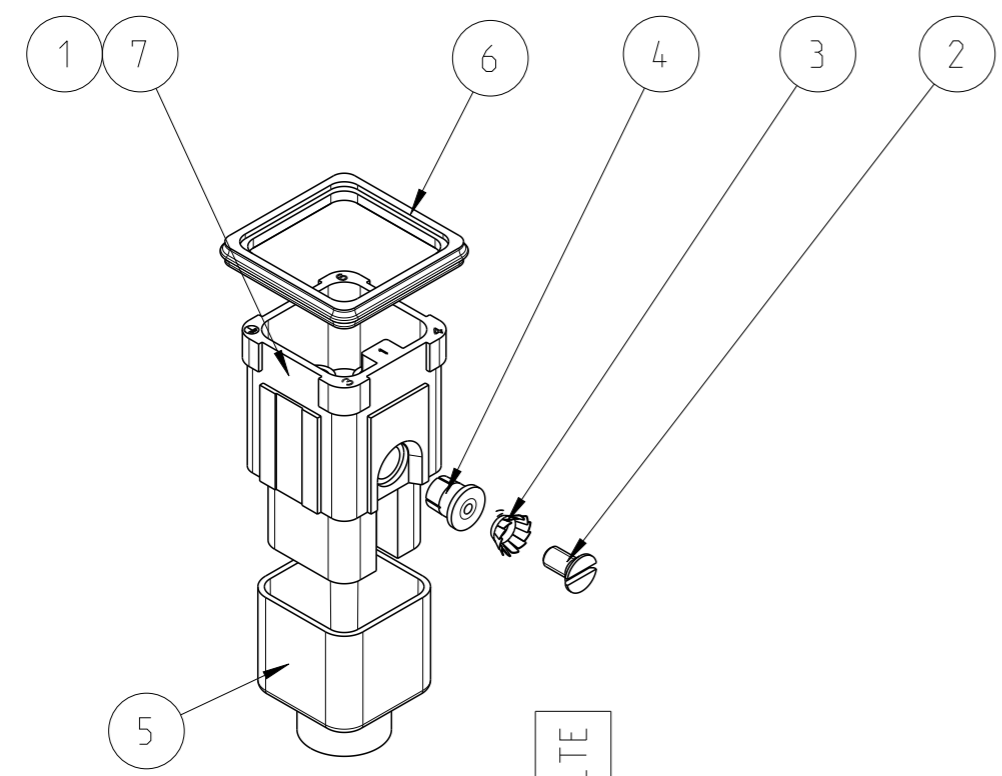


THIS DRAWING IS UNPUBLISHED. RELEASED FOR PUBLICATION 2009  
 © COPYRIGHT 2009 Tyco Electronics AMP GmbH ALL RIGHTS RESERVED.

LOC	DIST	REVISIONS					
		P	LTR	DESCRIPTION	DATE	DWN	APVD
A1	-		B5	ECR-11-017365	19AUG2011	SR	BR
			B6	ECR-17-001958	23FEB2017	GCM	MKO
			B7	ECR-17-018172	26DEC2017	GCM	MKO
			B8	ECR-21-123464	09MAR2022	RK	JB

Notes

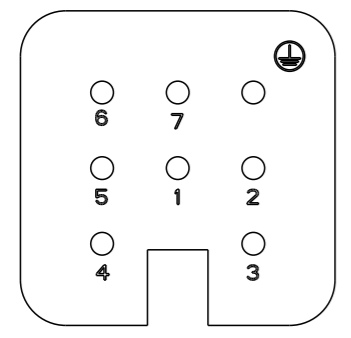
- 1 SUITABLE CRIMP CONTACTS:  
 -SERIES TYPE III+; CUSTOMER DRAWING: 164161  
 -SERIES C12; CUSTOMER DRAWING: 927888  
 -SERIES HD.M; CUSTOMER DRAWING: 1105000  
 -WIRE INSULATION: MAX. Ø4.2 MM  
 -DIMENSIONS: (OVER ALL) 24x24x34mm
- 2 SUITABLE INSERTION TOOL:  
 CUSTOMER DRAWING: 1102855-1
- 3 SUITABLE EXTRACTION TOOL:  
 CUSTOMER DRAWING: 1102855-6
- 4 STANDARDS:  
 DIN EN 61984, DIN EN 60664-1
- 5 AUTHORIZATION; UL: UL-FILE NR.: E101788(R)
- 6 PACKAGING:  
 PN 2-3 10 SETS IN A CARTON, PRE-MOUNTED  
 PN 2-4 500 SETS IN A CARTON, PRE-MOUNTED




OBSOLETE

QTY	DESCRIPTION	MATERIAL	COLOR	NOTES	ITEM
1	2 INSTRUCTION LEAFLET				8
1	MALE INSERT	PA66-GF25	LIGHT GREY	SERIES HD7, 8-POS. , TYPE III+, SIZE1	7
1	1 PROFILE SEAL	NBR 55	BLACK	SERIES HA/HG-Q, SIZE1	6
	1 INSULATION COVER	NBR 65	BLACK	SERIES HD7	5
1	1 SCREW THREAD INSERT	BRASS		M3x5.5, AFTERMOULD	4
1	1 WASHER, SERRATED LOCK	STAINL. STEEL		V3.4, DIN 6798 JULY 1988	3
1	1 SCREW, SLOTTED COUNTERSUNK FLAT HEAD	STAINL. STEEL		M3x6 DIN EN ISO 2009	2
	1 MALE INSERT	PC-GF20	LIGHT GREY	SERIES HD7, 8-POS. , TYPE III+, SIZE1	1
2-4	2-3				

CONTACT ARRANGEMENT VIEW FROM TERMINATION SIDE



HD.7.STI.C/250V  
 HD.7.STI.C.La.250V

THIS DRAWING IS A CONTROLLED DOCUMENT.		DWN 09APR2002 SCHNEIDER	 TE Connectivity
DIMENSIONS: mm		CHK 09APR2002 SCHWEIGER	
TOLERANCES UNLESS OTHERWISE SPECIFIED:		APVD 09APR2002 T.SCHNURPFEL	
0 PLC ± 1 PLC ± 2 PLC ± 3 PLC ± 4 PLC ± ANGLES ±1° FINISH -		PRODUCT SPEC 108-74002 APPLICATION SPEC - WEIGHT -	
MATERIAL -		NAME MALE INSERT ASSY SERIES HD.7	
		SIZE A3	CAGE CODE 00779
		DRAWING NO C=1103000	
		RESTRICTED TO	
CUSTOMER DRAWING		SCALE 1:1	SHEET 1 OF 1
		REV B8	