

4

3

2

1

THIS DRAWING IS UNPUBLISHED.
VERTRAULICHE UNVEROEFFENTLICHTE ZEICHNUNG

RELEASED FOR PUBLICATION
FREI FUER VEROEFFENTLICHUNG

MATED WITH:
PASSEND ZU:

LOC
AI

DIST

REVISIONS
AENDERUNGEN

© COPYRIGHT 2000

BY AMP INCORPORATED.

ALL RIGHTS RESERVED.
ALLE RECHTE VORBEHALTEN

HEE.10

PROJEKT NR.:
EGGMN04414

P

LTR
B4

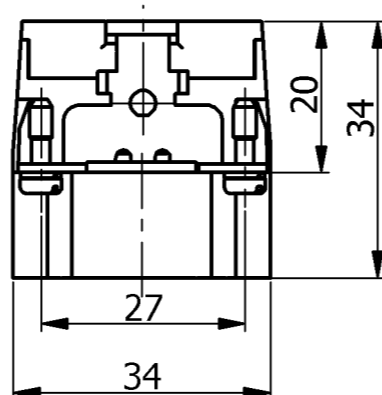
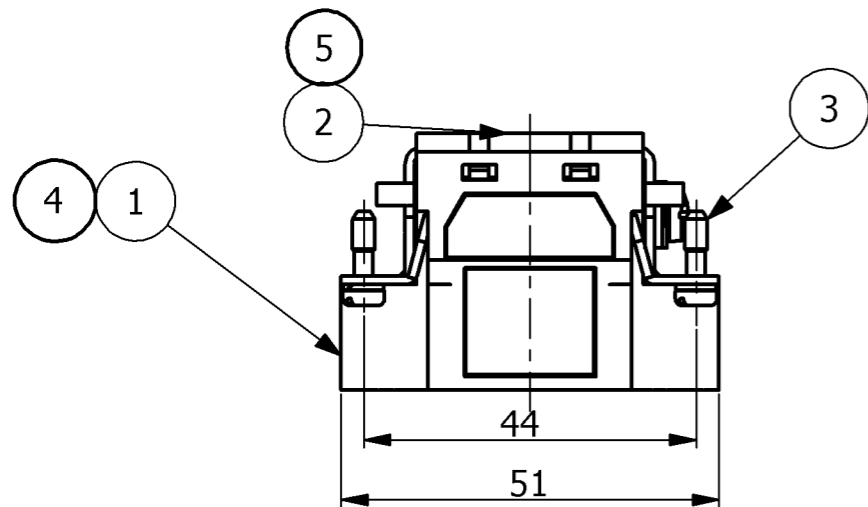
DESCRIPTION
BESCHREIBUNG
REVISED PER ECO-11-004886

DATE
29APR11

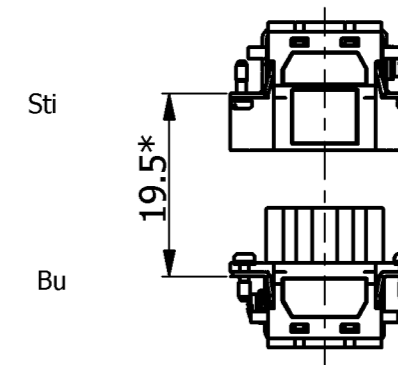
DWN
HMR

APVD
MM

Print for PN 0-1
Ordering text: HEE.10.Sti.C

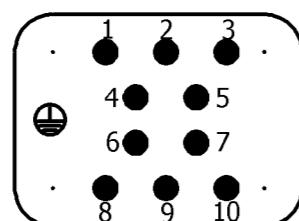


* distance for guaranteed contact 21 mm max.



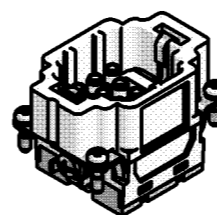
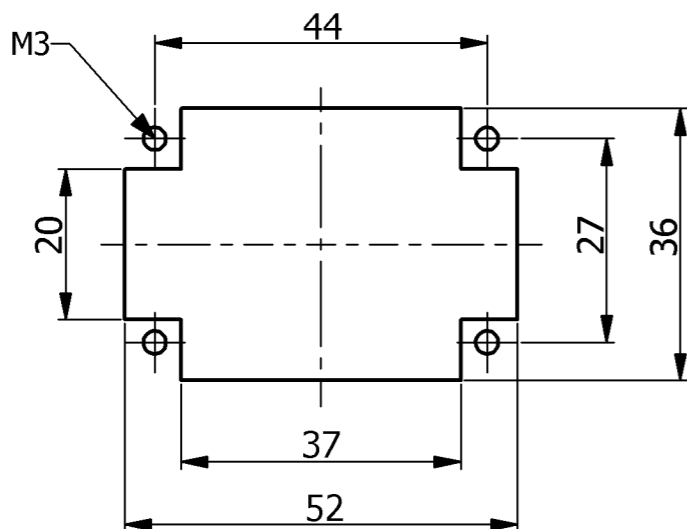
Contact arrangement view from termination side

PN 0-1; 0-2



- 1 Material: LCP-GF
- 2 Material, insert: PC-GF20
- 3 Material, cover: PC-GF20
- 4 Packacking: 10 pieces

Panel cut-out for contact insert when used without housing



1		Cover HEE.10-FS	LCP-GF30	Nature		5
1		Male insert HEE.10-FS	LCP-GF30	Nature		4
4	4	FIXING SCREW	STEEL	BLUE	M3X10,5	3
	1	COVER HEE10	PC-GF20 (B2)	NATURAL		2
	1	MALE INSERT HEE.10	PC-GF20 (B2)	LIGHT-GREY		1
QTY.	QTY.	DESCRIPTION	MATERIAL	COLOR	NOTE	ITEM
0-2	0-1	PARTS LIST				

HEE.10.Sti.C
HEE.10.Sti.C-FS

<small>THIS DRAWING IS A CONTROLLED DOCUMENT FOR AMP INCORPORATED. IT IS SUBJECT TO CHANGE AND THE CONTROLLING ENGINEERING ORGANIZATION SHOULD BE CONTACTED FOR THE LATEST REVISION. DIESSES ZEICHNUNGSDOKUMENT WIRD DURCH AMP INCORPORATED KONTROLLIERT. AENDERUNGEN, DIE DEM TECHNISCHEN FORTSCHRITT DIENEN, SIND VORBEHALTEN. DEN JEWELIGEN LETZTLIEGENDEN AENDERUNGSSTAND ERFAHREN SIE AUF ANFRAGE.</small>		DWN 03.05.2005 SCHNEIDER			
DIMENSIONS: DIMENSIONEN: mm		TOLERANCES UNLESS OTHERWISE SPECIFIED: ALLGEMEINTOLERANZEN			
		n. ISO 8015 n. ISO 2768 - mH - E n. DIN 16901 - 140		NAME MALE INSERT HEE.10.STI.C	
MATERIAL		FINISH / OBERFLÄCHE / FARBE		SIZE A3 CAGE CODE 00779 DRAWING NO. ZEICHNUNGS-NR. 1102918 RESTRICTED TO NUR FUER -	
CUSTOMER DRAWING / KUNDENZEICHNUNG				SCALE MASSSTAB 1:1 SHEET BLATT 1 OF VON 1 REV B4	