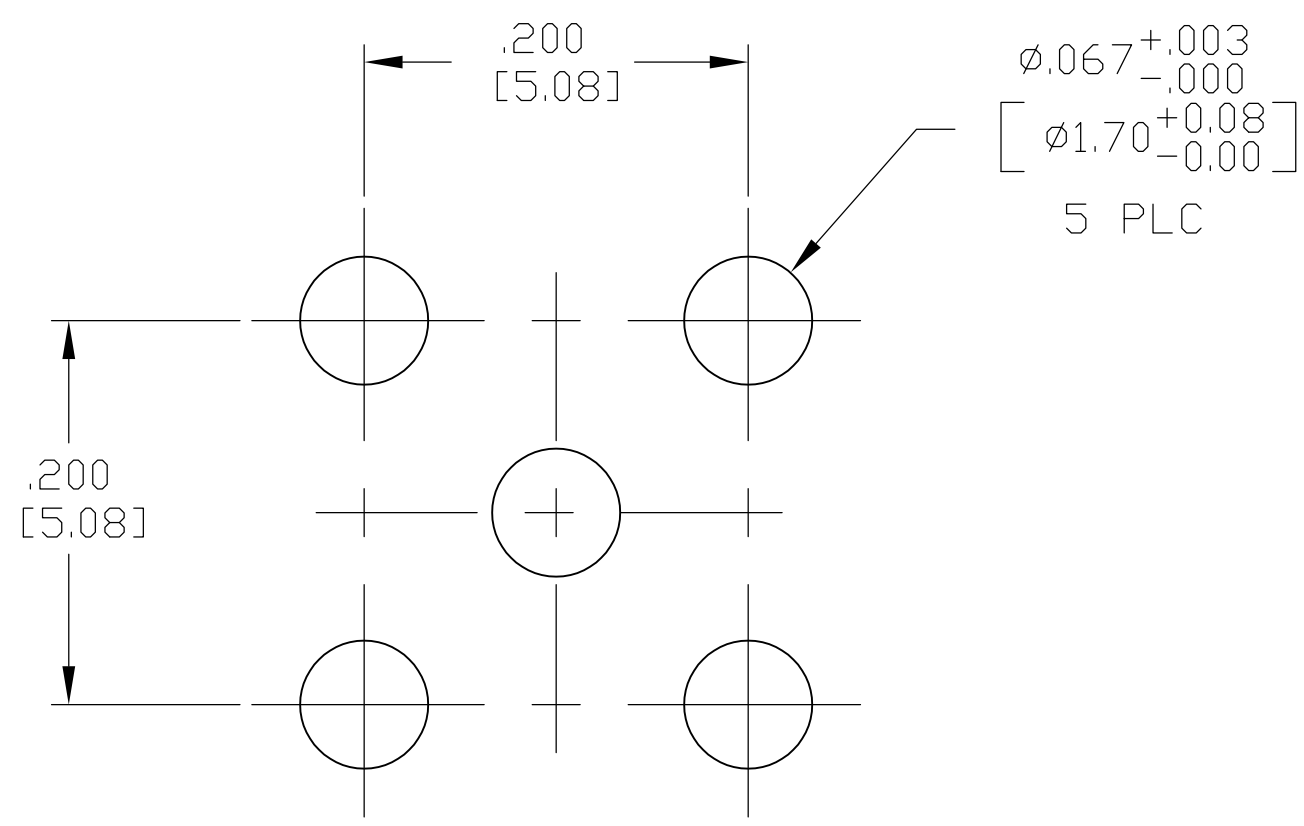


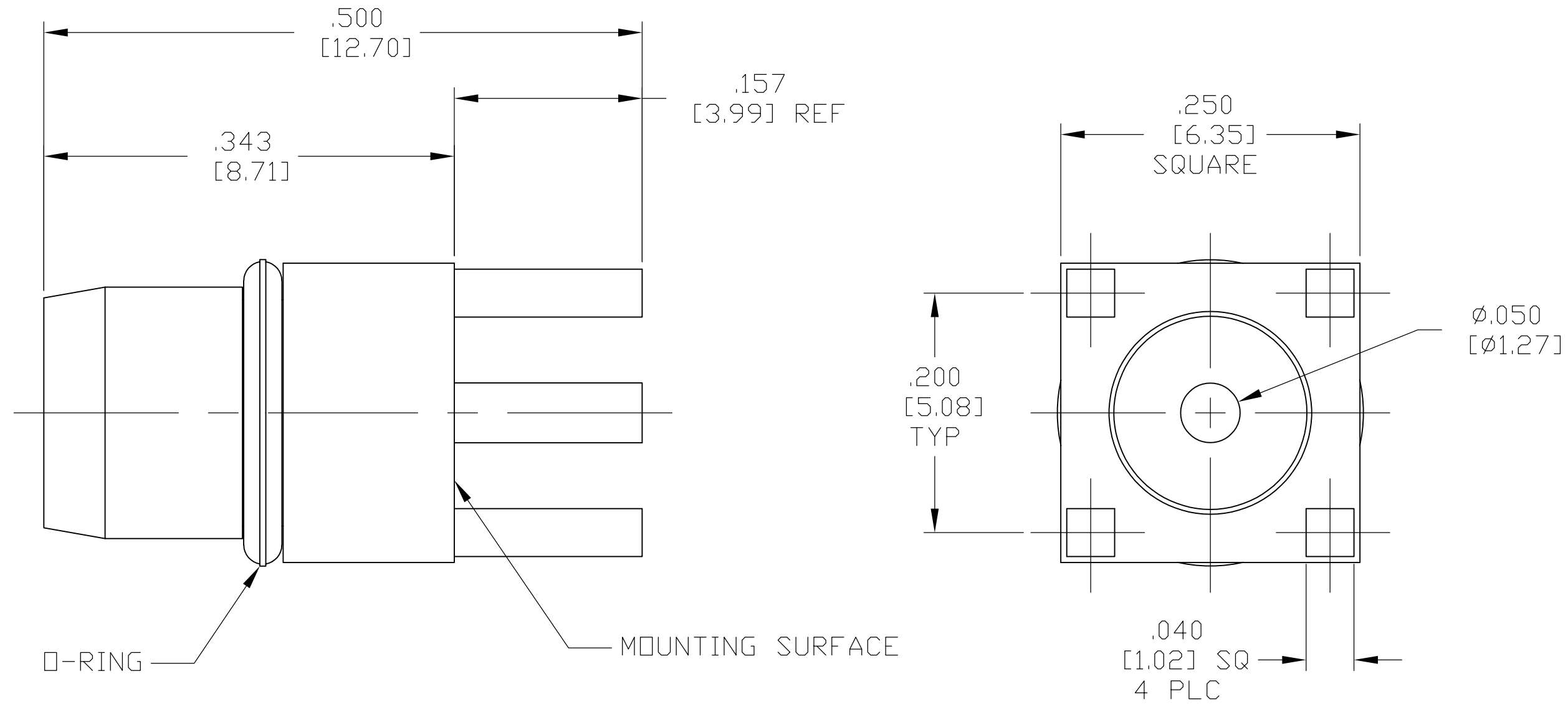
THIS DRAWING IS UNPUBLISHED.		RELEASED FOR PUBLICATION
© COPYRIGHT - By -		ALL RIGHTS RESERVED.
HOUSING	STAINLESS STEEL PER ASTM-A484 AND ASTM-A582, TYPE 303	.000035-.000065 GOLD PL PER MIL-G-45204 OVER .000145-.000275 NICKEL PL PER AMS-QQ-N-290
DIELECTRIC	TFE FLUOROCARBON PER ASTM D-1710	N/A
CENTER CONTACT	BRASS PER ASTM B16 1/2 HARD	.000050-.000100 GOLD PL PER MIL-G-45204 OVER .000050-.000120 NICKEL PL PER AMS-QQ-N-290 OVER .000010 MIN COPPER PL PER AMS-2418
"O" - RING	FLUOROSILICONE PER MIL-R-25988, CLASS 1 TYPE 1	N/A
COMPONENT	MATERIAL	FINISH

1. CAPTURED CENTER CONTACT

LOC		DIST		REVISIONS					
-	-	-	-	P	LTR	DESCRIPTION	DATE	DWN	APVD
				D		REV PER ECO 15-016992	12-14-15	CT	WM



RECOMMENDED MOUNTING HOLE DIMENSIONS (P.C.B.)



ELECTRICAL	MECHANICAL	ENVIRONMENTAL
Nominal Impedance (Ohms) <u>50</u>	Interface Dimensions per <u>DESC spec 85701</u>	TEMPERATURE RATING <u>-65°C TO +125°C</u>
Frequency Range (GHz) <u>DC-18</u>	Recommended Mating Torque <u>N/A</u>	Vibration - MIL-STD-202, Method 204, Condition D
Volt Rating (VRMS MAX) <u>500 @ Sea level</u>	Mating Characteristics:	Shock - MIL-STD-202, Method 213, Condition I
VSWR <u>N/A</u>	Insertion (MAX Lbs) <u>N/A</u>	Thermal shock MIL-STD-202, Method 107 Test Condition B
Insertion Loss (dB MAX) <u>N/A</u>	Withdrawal (MIN Oz) <u>N/A</u>	EXCEPT HIGH TEMP 115°C
RF Leakage (dB MIN) <u>-(90-F(GHz))</u> (Interface only, fully mated)	Connector Engagement and Disengagement (In/Lbs MAX) <u>N/A</u>	Moisture Resistance - MIL-STD-202, Method 106
Corona, 70,000 Ft (VRMS MIN) <u>335</u>	Center Contact Captivation	Corrosion - MIL-STD-202, Method 101, Condition B, 5% salt spray
Dielectric Withstanding Voltage (VRMS MIN) <u>1000</u>	Axial <u>6 Lbs</u>	
Contact Resistance (Milliohms MAX)	Radial <u>None</u>	
Center Contact <u>2.0</u>	Cable Retention	
Outer Contact <u>2.0</u>	Axial Force <u>N/A</u>	
RF High Potential (VRMS MIN @ 5 MHz) <u>1000</u>	Torque <u>N/A</u>	
I.R.(Megohms) <u>5000 MIN</u>	Weight (Grams) _____	

1059684-1
PART NUMBER

THIS DRAWING IS A CONTROLLED DOCUMENT.		DWN <u>C.C.THOMAS</u> 8-25-09	STE TE Connectivity	
DIMENSIONS: INCHES		CHK <u>D.WILSON</u> 8-25-09		
TOLERANCES UNLESS OTHERWISE SPECIFIED:		APVD <u>D.WILSON</u> 8-25-09	NAME <u>OSP STRAIGHT PCB PLUG</u>	
0 PLC ± -		PRODUCT SPEC	SIZE CAGE CODE DRAWING NO RESTRICTED TO	
1 PLC ± -		APPLICATION SPEC	A2 00779 C=1059684	
2 PLC ± -			SCALE 10:1 SHEET 1 of 1 REV D	
3 PLC ± .005 [0.13]				
4 PLC ± -				
ANGLES ± -				
FINISH		WEIGHT -		
SEE TABLE		CUSTOMER DRAWING		