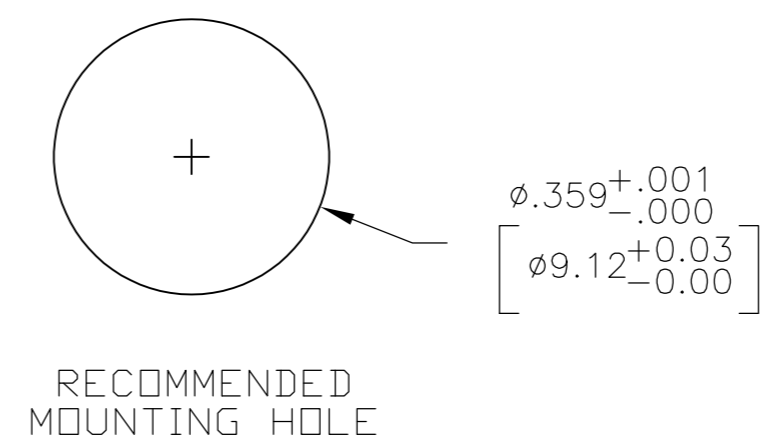
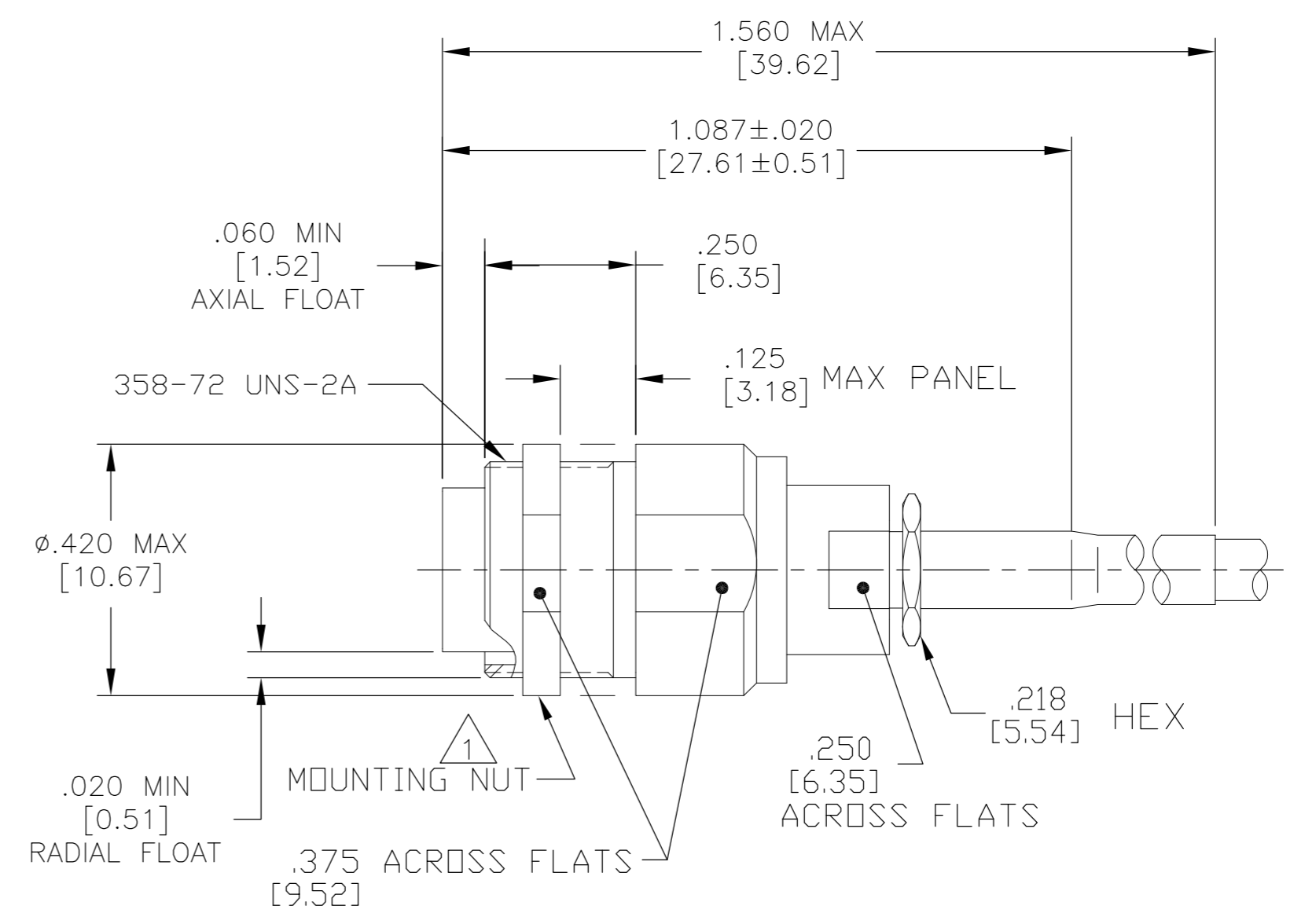


THIS DRAWING IS UNPUBLISHED.		RELEASED FOR PUBLICATION	
© COPYRIGHT - By -		ALL RIGHTS RESERVED.	
HOUSING MOUNTING NUT WASHER BUSHING SLEEVE CLAMP NUT	STAINLESS STEEL PER ASTM-A484 AND ASTM A582, TYPE 303	PASSIVATE PER ASTM-A380	
DIELECTRIC	TFE FLUOROCARBON PER ASTM-D-1457	N/A	
CENTER CONTACT	BERYLLIUM COPPER PER ASTM B 196, ALLOY C17300, CONDITION H	GOLD PLATE PER ASTM- B-488 OVER COPPER PLATE PER MIL-C-14550	
CONTACT SLEEVE	BERYLLIUM COPPER PER ASTM B 196, ALLOY C17300, CONDITION H	GOLD PLATE PER ASTM- B-488 OVER NICKEL PLATE PER QQ-N-290	
CONTACT RING SHIM	BERYLLIUM COPPER PER ASTM B 194, ALLOY C17200, CONDITION H	GOLD PLATE PER ASTM- B-488 OVER COPPER PLATE PER MIL-C-B-488	
SPRING	MUSIC WIRE PER ASTM A 228	ELECTROLESS NICKEL PLATE MIL-C-26074	
SHRINK TUBING	HEAT SHRINKABLE POLYELEFIN COMPOUND MIL-I-23053/4	N/A	
FERRULE	COPPER OR BRASS ALLOY ROCKWELL F65 MAXIMUM	GOLD PLATE PER ASTM- B-488 OVER COPPER PLATE PER MIL-C-14550	
COMPONENT	MATERIAL	FINISH	

DESIGNED FOR USE WITH RD 178/U & 196 CABLE CABLE ENTRY DIAMETER MINIMUM	
HOUSING	.037 [0.94]
CONTACT	.014 [0.36]
FERRULE	.109 [2.77]

1 IT IS RECOMMENDED TO USE LOCKTITE 241.

ELECTRICAL	MECHANICAL	ENVIRONMENTAL
Nominal Impedance (Ohms) <u>50</u>	Interface Dimensions Per <u>M/A-COM CATALOG</u>	TEMPERATURE RATING <u>-65° TO +125°C</u>
Frequency Range (GHz) <u>DC to 22</u>	Mating Characteristics:	Vibration MIL-STD-202, Method 204, Condition D, 20G's
Volt Rating (VRMS MAX) @ Sea Level <u>185</u>	Insertion (MAX Lbs) <u>3</u>	Shock MIL-STD-202, Method 213, Condition I, 100G's
VSWR <u>1.15+0.02f(GHz)</u>	Withdrawal (MIN Oz) <u>1</u>	Thermal Shock MIL-STD-202, Method 107, Condition B Except HIGH TEMP SHALL BE +115°C
Insertion Loss (dB MAX) <u>.06x √f(GHz)</u>	Force to Engage (In/Lbs MAX) <u>3</u> & Disengage (In/Lbs MAX) <u>1.5</u>	Moisture Resistance MIL-STD-202, Method 106
RF Leakage (dB MIN) <u>-(60-f(GHz))</u>	Center Contact Captivation	Corrosion - MIL-STD-202, Method 101, Condition B
Corona, 70,000 Ft (VRMS MIN) <u>190</u>	Axial (Lbs) <u>6</u>	
Dielectric Withstanding Voltage (VRMS MIN) @ Sea Level <u>750</u>	Cable Retention	
Contact Resistance (Milliohms MAX)	Axial Force (Lbs MIN) <u>10</u>	
Center Contact <u>3.0</u>	Weight (Grams) <u>TBD</u>	
Outer Contact <u>2.0</u>		
Cable to Housing <u>0.5</u>		
RF High Potential @ Sea Level (VRMS MIN @ 5 MHz) <u>500</u>		
I.R.(Megohms MIN) <u>5000</u>		



1058576-1  
PART NUMBER

THIS DRAWING IS A CONTROLLED DOCUMENT.		DWN C.C.THOMAS 20DEC2013	TE Connectivity	
DIMENSIONS: INCHES [mm]		CHK W.MOYER 12-20-13	NAME	
TOLERANCES UNLESS OTHERWISE SPECIFIED:		APVD W.MOYER 12-20-13	SMA FLOATING PANEL FEEDTHRU CABLE JACK ASSY, CRIMP ATTACHMENT	
0 PLC ± -	1 PLC ± -	PRODUCT SPEC 45-091	SIZE A2	CAGE CODE 00779
2 PLC ± -	3 PLC ± .005 [0.13]	APPLICATION SPEC	DRAWING NO C=1058576	RESTRICTED TO
4 PLC ± -	ANGLES ± -	WEIGHT -	SCALE 5:1	SHEET 1 of 1
MATERIAL SEE TABLE	FINISH SEE TABLE	CUSTOMER DRAWING	REV B	