

THIS DRAWING IS UNPUBLISHED. RELEASED FOR PUBLICATION N/A , N/A .  
 © COPYRIGHT N/A BY TYCO ELECTRONICS CORPORATION. ALL RIGHTS RESERVED.

LOC		DIST		REVISIONS			
P	LTR	DESCRIPTION	DATE	DWN	APVD		
DF	X0						
	D	REV PER ECO-05-002575	05-05	AA	WM		

COMPONENT	MATERIAL	FINISH
HOUSING	BERYLLIUM COPPER PER ASTM-B-196 , ALLOY C17300, COND. H	GOLD PLATED PER ASTM-B-488
DIELECTRIC	TFE FLUORCARBON PER ASTM-D-1457	-
CENTER CONTACT CONTACT FINGER	BERYLLIUM COPPER PER ASTM-B-196, ALLOY C17300, COND. H	GOLD PLATED PER ASTM-B-488
ANTI-ROCK RING EMI RING	BERYLLIUM COPPER PER ASTM-B-196, ALLOY C17300, COND. H	GOLD PLATED PER ASTM-B-488
CAP	BRASS PER ASTM-B-16	GOLD PLATE PER ASTM-B-488
-	-	-
-	-	-
-	-	-
-	-	-
-	-	-
-	-	-
-	-	-

**ENVIRONMENTAL**

TEMPERATURE RATING: -65°C TO +165°C  
 VIBRATION: MIL-STD-202, METHOD 204, CONDITION D  
 SHOCK: MIL-STD-202, METHOD 213, CONDITION I  
 MOISTURE RESISTANCE: MIL-STD-202, METHOD 106  
 CORROSION: MIL-STD-202, METHOD 101, CONDITION B  
 THERMAL SHOCK: MIL-STD-202, METHOD 107, CONDITION B

**MECHANICAL**

INTERFACE DIMENSIONS: MIL-STD-348A, FIGURE 326-1A  
 FORCE TO ENGAGE (LBS MAX): 15  
 FORCE TO DISENGAGE (IN-LBS MIN): 5.0  
 WEIGHT (GRAMS): TBD

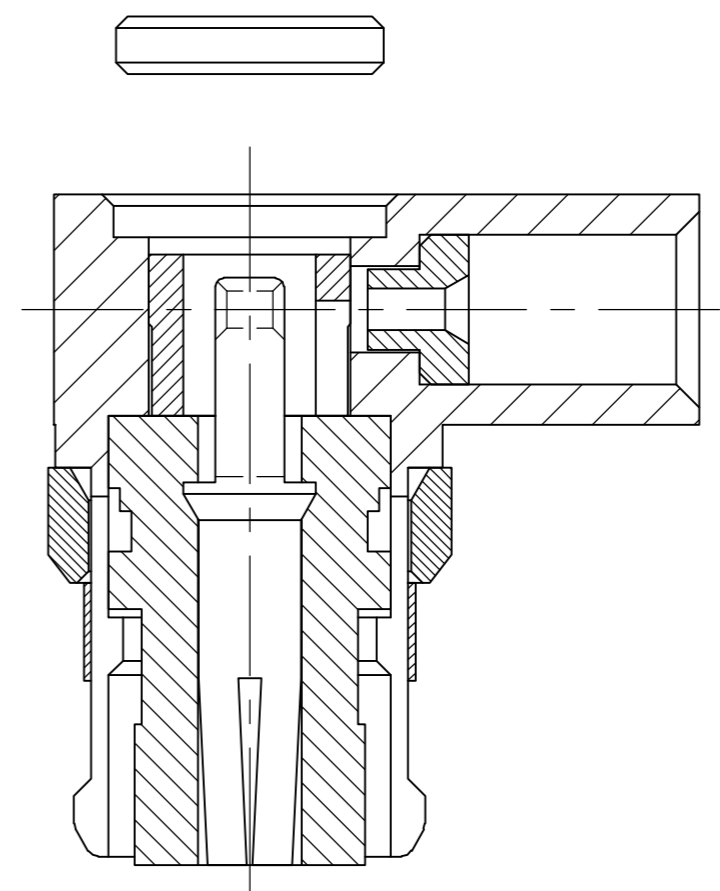
MATING CHARACTERISTICS: INSERTION (MAX LBS) 15.0  
 WITHDRAWAL (MIN LBS): 5.0

CABLE RETENTION: AXIAL FORCE (LBS) 20 MIN  
 TORQUE (IN-OZ): -

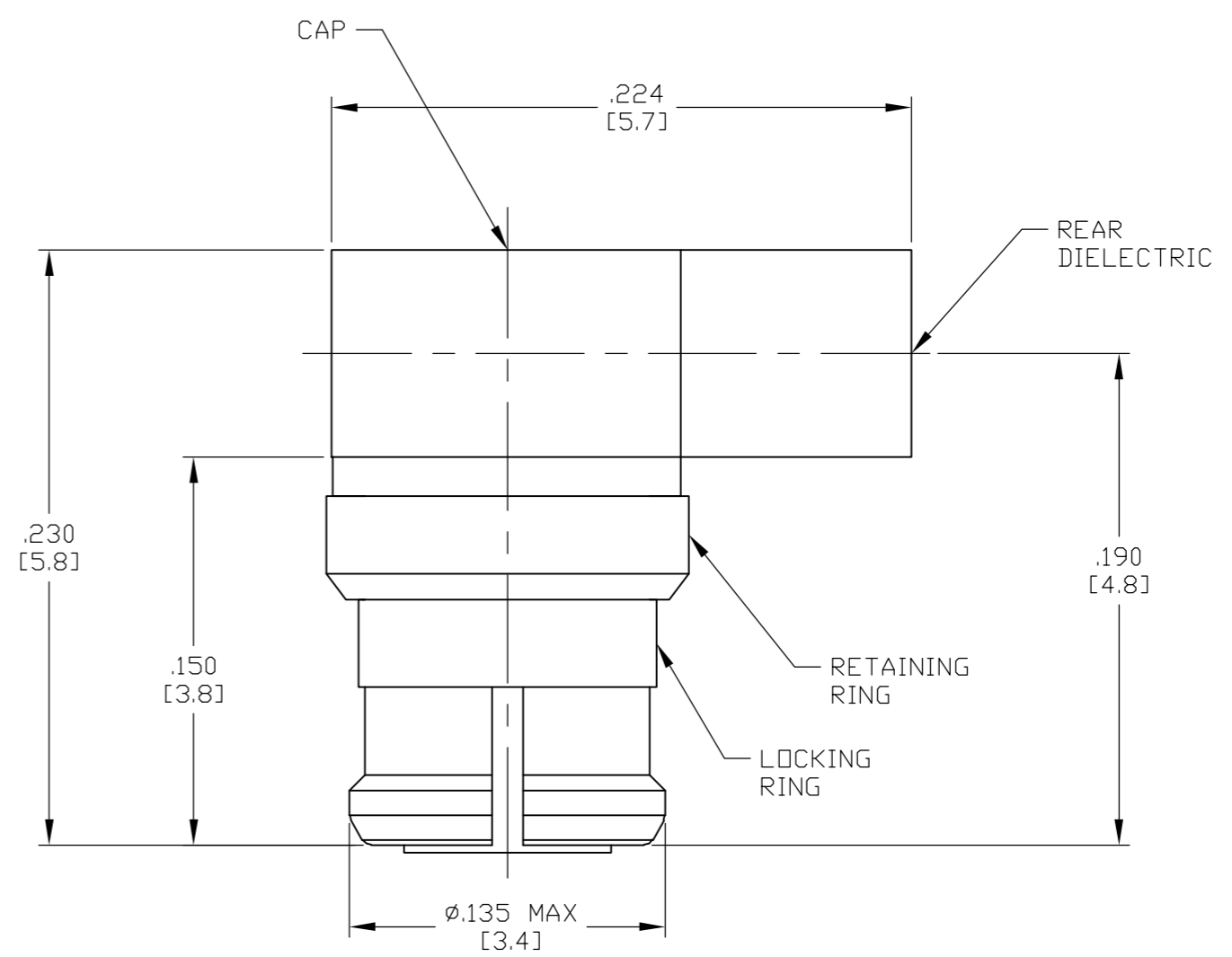
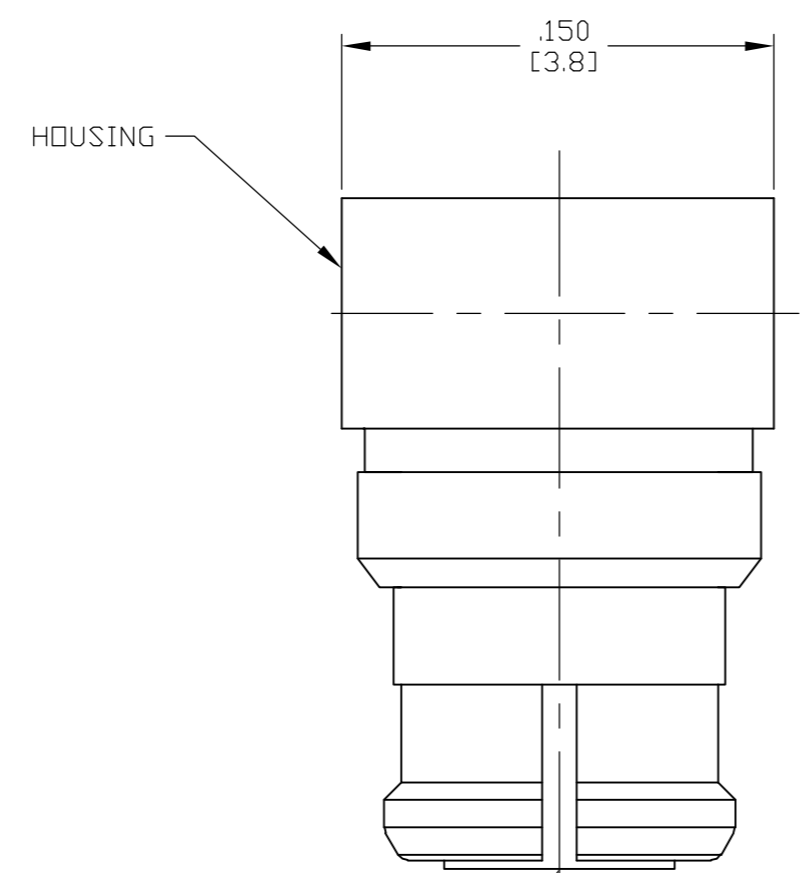
CENTER CONTACT RETENTION: LBS MIN: 1.5  
 DURABILITY: 100 CYCLES

**ELECTRICAL**

NORMAL IMPEDANCE (OHMS): 50  
 FREQUENCY RANGE (GHz): DC TO 26.5  
 VOLT RATING @ SEA LEVEL (VRMS MAX): 335  
 VSWR: 1.35 max @ 26.5 GHz  
 INSERTION LOSS: (dB MAX): .12 √ f(GHz) dB MIN  
 RF LEAKAGE (dB MIN): -80 @ 3 GHz  
 CORONA 70,000 FT (VRMS MIN): 190  
 DIELECTRIC WITHSTANDING VOLTAGE (VRMS MIN) AT SEA LEVEL: 500  
 I.R. (MEGOHMS MIN): 5000  
 RF HIGH POTENTIAL AT SEA LEVEL (VRMS MIN @ 5 MHz): 325  
 CONTACT RESISTANCE (MILLIOHMS MAX):  
 CENTER CONTACT: 6.0  
 OUTER CONTACT: 2.0  
 CABLE TO HOUSING: 0.5



AS SHIPPED TO CUSTOMER



ASSEMBLED VIEW

DESIGNED TO USE  
 ø.047 SEMI-RIGID CABLE  
 CABLE ENTRY  
 DIAMETER MIN

HOUSING: .050 [1.27]  
 CONTACT: -  
 DIELECTRIC: -  
 FERRULE: -

THIS DRAWING IS A CONTROLLED DOCUMENT.

DIMENSIONS: INCHES [mm]

TOLERANCES UNLESS OTHERWISE SPECIFIED:  
 0 PLC ± -  
 1 PLC ± -  
 2 PLC ± -  
 3 PLC ± .005 [0.13]  
 4 PLC ± -  
 ANGLES ± -  
 FINISH SEE TABLE

MATERIAL SEE TABLE

DWN	J. KAISER	22MAY03	Tyco Electronics Corporation Harrisburg, PA 17105
CHK	B. GROSS	6-2-03	
APVD	B. GROSS	6-2-03	
PRODUCT SPEC			
APPLICATION SPEC	408-4775		NAME
WEIGHT	TBD	SCALE	OSMP RIGHT ANGLE CABLE JACK DIRECT SOLDER ATTACHMENT
CUSTOMER DRAWING	SCALE 15:1	SHEET 1 OF 1	RESTRICTED TO

1056550-1  
 PART NO.