

THIS DRAWING IS UNPUBLISHED. RELEASED FOR PUBLICATION N/A, N/A
 © COPYRIGHT N/A BY TYCO ELECTRONICS CORPORATION. ALL RIGHTS RESERVED.

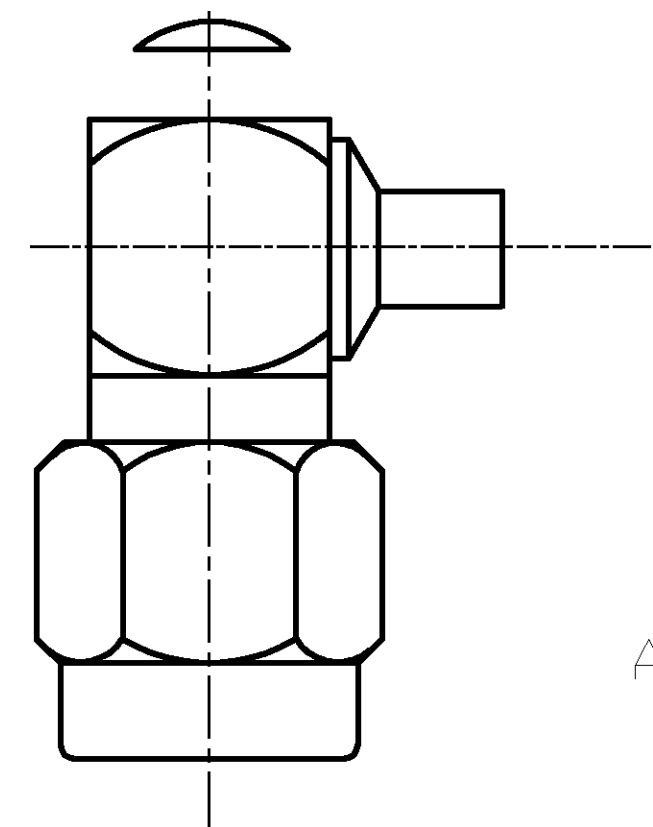
LOC	DIST	REVISIONS					
DF	XO	P	LTR	DESCRIPTION	DATE	DWN	APVD
		A		REV PER 0G3D-0490-02	11-02	JMK	JL

COMPONENT	MATERIAL	FINISH
COUPLING NUT	STAINLESS STEEL PER ASTM-A-484 OR ASTM-A-582 TYPE 303	PASSIVATED PER ASTM-A-380
DIELECTRIC	PTFE FLUOROCARBON PER ASTM-D-1457	-
CENTER CONTACT	BERYLLIUM COPPER PER ASTM-B-194 ALLOY C17200, CONDITION H	GOLD PLATED PER ASTM-B-488
HOUSING CAP	STAINLESS STEEL PER ASTM-A-484 OR ASTM-A-582 TYPE 303	GOLD PLATED PER ASTM-B-488
GASKET	SILICONE RUBBER PER ZZ-R-765	-
RETAINING RING	BERYLLIUM COPPER PER ASTM-B-194 ALLOY C17200, CONDITION H	-

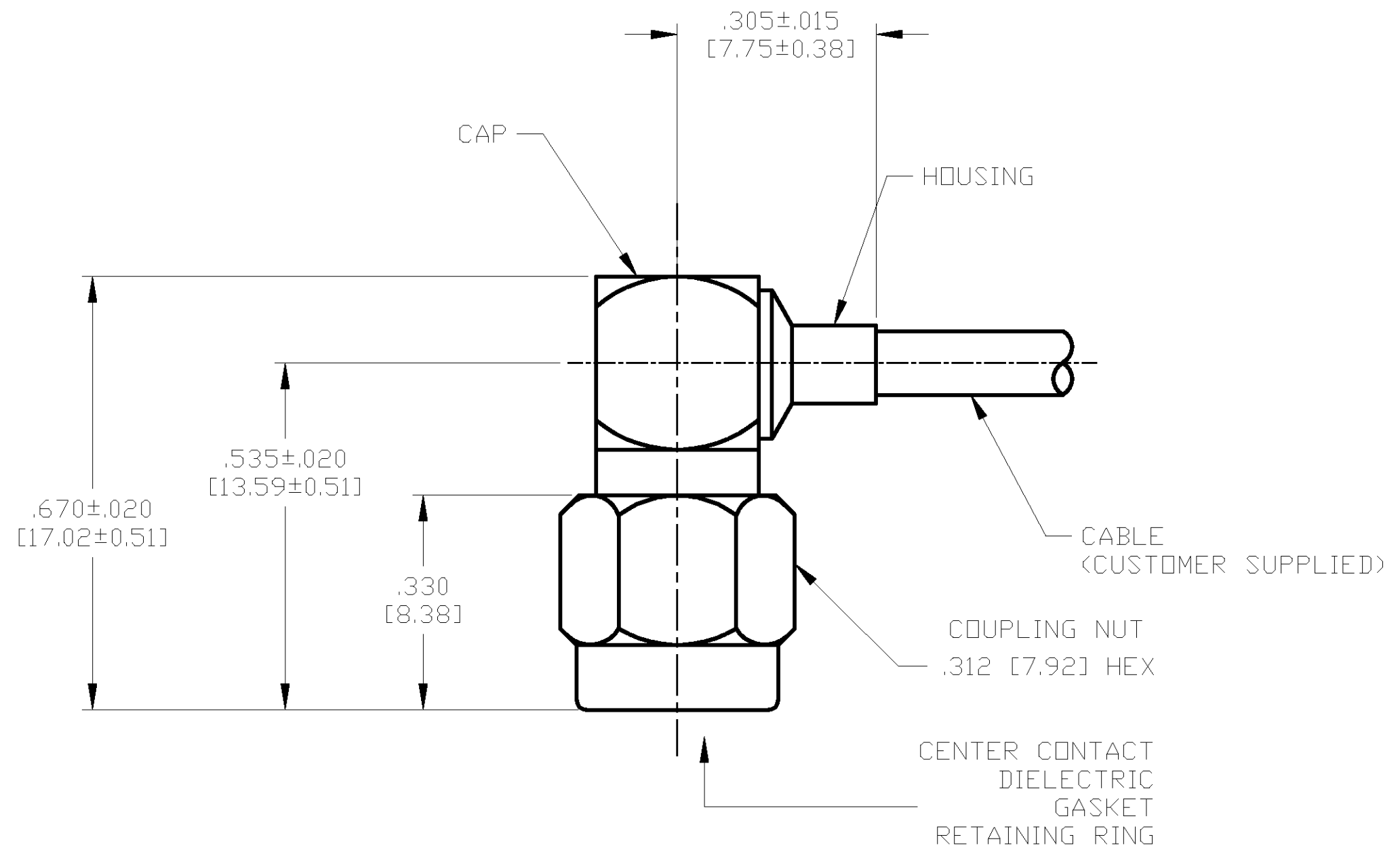
ENVIRONMENTAL	
TEMPERATURE RATING:	-65°C TO +165°C
VIBRATION:	MIL-STD-202, METHOD 204, CONDITION D
SHOCK:	MIL-STD-202, METHOD 213, CONDITION 1
MOISTURE RESISTANCE:	MIL-STD-202, METHOD 106
CORROSION:	MIL-STD-202, METHOD 101, CONDITION B. 5% SALT SPRAY
THERMAL SHOCK:	MIL-STD-202, METHOD 107, CONDITION B EXCEPT HIGH TEMP 115°C

MECHANICAL	
INTERFACE DIMENSIONS:	MIL-STD-348A FIG. 310.1
RECOMMENDED MATING TORQUE:	7-10 IN-LBS
FORCE TO ENGAGE & DISENGAGE (IN-LBS MAX):	2.0
WEIGHT (GRAMS):	TBD
MATING CHARACTERISTICS:	INSERTION (MAX LBS): N/A WITHDRAWAL (MIN OZ): N/A
CABLE RETENTION:	AXIAL FORCE (LBS): 30 MIN TORQUE (IN-OZ): 16.0
CENTER CONTACT CAPTIVATION:	AXIAL (LBS): 6.0 RADIAL (IN-OZ): N/A

ELECTRICAL	
NORMAL IMPEDANCE (OHMS):	50
FREQUENCY RANGE (GHz):	DC TO 12.4
VOLT RATING @ SEA LEVEL (VRMS MAX):	335
VSWR:	1.10+0.01f(GHz)
INSERTION LOSS: (dB MAX):	.05 $\sqrt{f(\text{GHz})}$
RF LEAKAGE (dB MIN):	-90 @ 2-3 GHz
CORONA 70,000 FT (VRMS MIN):	250
DIELECTRIC WITHSTANDING VOLTAGE (VRMS MIN) AT SEA LEVEL:	1000
I.R. (MEGOHMS MIN):	5,000
RF HIGH POTENTIAL AT SEA LEVEL (VRMS MIN @ 5 MHz):	670
CONTACT RESISTANCE (MILLIOHMS MAX):	CENTER CONTACT: 4.0 OUTER CONTACT: 2.0 CABLE TO HOUSING: 0.5



AS SHIPPED TO CUSTOMER



ASSEMBLED VIEW

DESIGNED TO USE RG-405/U OR EQUIVALENT CABLE ENTRY DIAMETER MIN	HOUSING: .089 [2.26]	CONTACT: .037 [0.94]

THIS DRAWING IS A CONTROLLED DOCUMENT.		DWN J. KAISER 9/26/02
DIMENSIONS: INCHES [mm]		CHK J. LIPPERT 11-22-02
TOLERANCES UNLESS OTHERWISE SPECIFIED:		APVD J. LIPPERT 11-22-02
0 PLC ± -	1 PLC ± -	PRODUCT SPEC
2 PLC ± -	3 PLC ± .005 [0.13]	APPLICATION SPEC
4 PLC ± -	ANGLES ± -	408-4844
MATERIAL SEE TABLE	FINISH SEE TABLE	WEIGHT TBD
CUSTOMER DRAWING		SCALE 5:1 SHEET 1 OF 1 REV A

1051175-1 PART NO.		Tyco Electronics Corporation Harrisburg, PA 17105	
SMA RIGHT ANGLE CABLE PLUG-DIRECT SOLDER ATTACHMENT (M39012/80-3105) CAT E		SIZE A2	CAGE CODE 00779
DRAWING NO. 1051175		RESTRICTED TO	