

THIS DRAWING IS UNPUBLISHED. RELEASED FOR PUBLICATION N/A, N/A
 © COPYRIGHT N/A BY TYCO ELECTRONICS CORPORATION. ALL RIGHTS RESERVED.

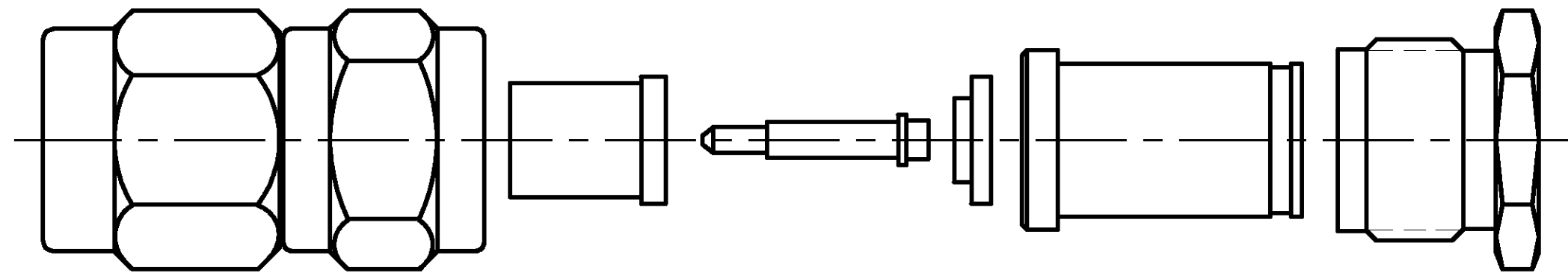
LOC	DIST	REVISIONS			
P	LTR	DESCRIPTION	DATE	DWN	APVD
DF	XO	REV PER 0G3D-0489-02	11-02	JMK	JL

COMPONENT	MATERIAL	FINISH
HOUSING CLAMP NUT COUPLING NUT	STAINLESS STEEL PER ASTM-A-484 OR ASTM-A-582 TYPE 303	PASSIVATED PER ASTM-A-380
DIELECTRIC	PTFE FLUOROCARBON PER ASTM-D-1457	-
CENTER CONTACT INNER SLEEVE	BRASS PER ASTM-B-16 HALF HARD	GOLD PLATED PER ASTM-B-488
GASKET	SILICONE RUBBER PER ZZ-R-765	-
RETAINING RING	BERYLLIUM COPPER PER ASTM-B-194 ALLOY C17200, CONDITION H	-

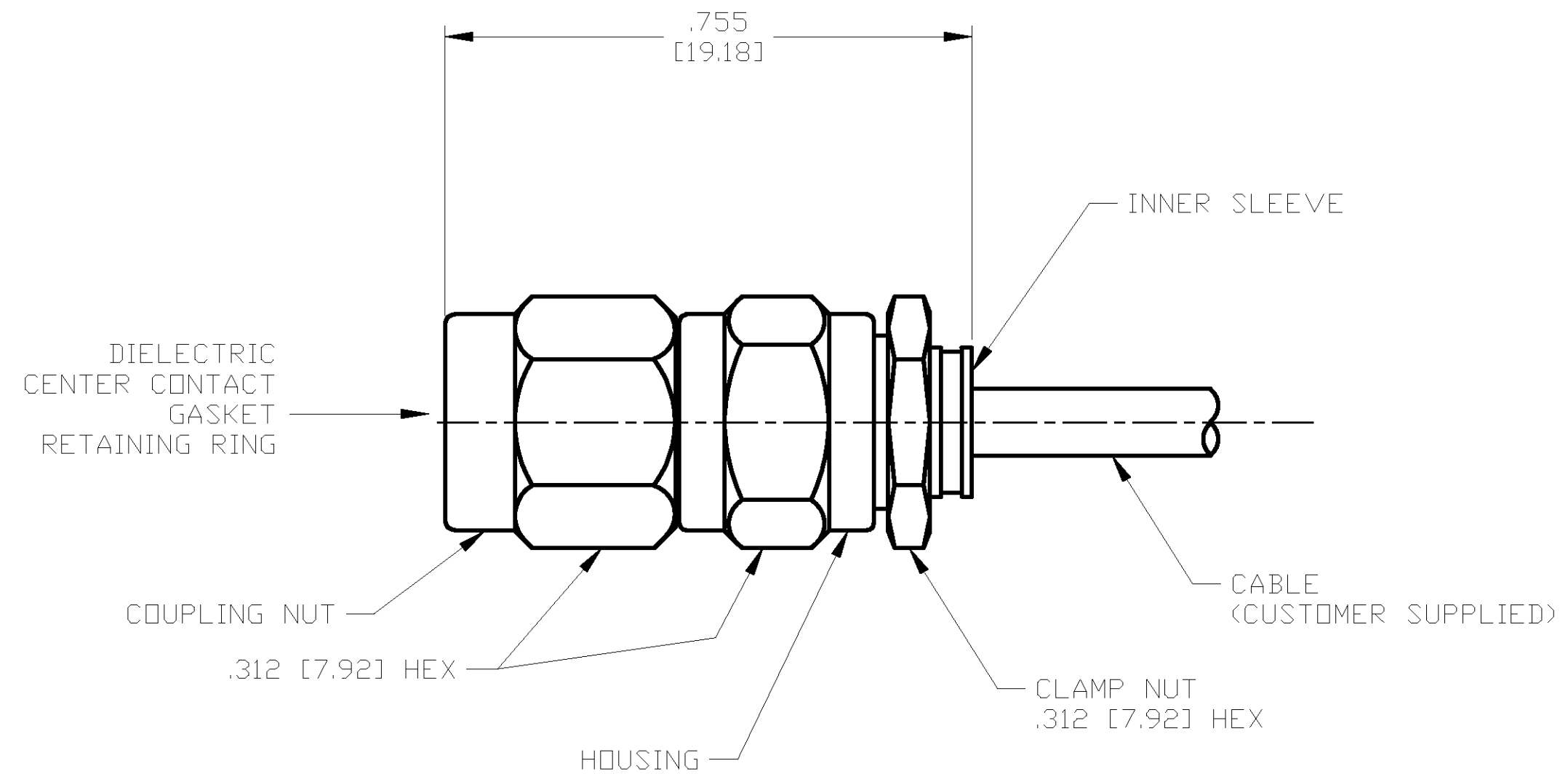
ENVIRONMENTAL	
TEMPERATURE RATING:	-65°C TO +165°C
VIBRATION:	MIL-STD-202, METHOD 204, CONDITION D
SHOCK:	MIL-STD-202, METHOD 213, CONDITION 1
MOISTURE RESISTANCE:	MIL-STD-202, METHOD 106
CORROSION:	MIL-STD-202, METHOD 101, CONDITION B. 5% SALT SPRAY
THERMAL SHOCK:	MIL-STD-202, METHOD 107, CONDITION B EXCEPT HIGH TEMP 115°C

MECHANICAL	
INTERFACE DIMENSIONS:	MIL-STD-348A FIG. 310.1
RECOMMENDED MATING TORQUE:	7-10 IN-LBS
FORCE TO ENGAGE & DISENGAGE (IN-LBS MAX):	2.0
WEIGHT (GRAMS):	TBD
MATING CHARACTERISTICS:	INSERTION (MAX LBS): N/A WITHDRAWAL (MIN OZ): N/A
CABLE RETENTION:	AXIAL FORCE (LBS): 30 MIN TORQUE (IN-OZ): 16.0
CENTER CONTACT CAPTIVATION:	AXIAL (LBS): 6.0 RADIAL (IN-OZ): N/A

ELECTRICAL	
NORMAL IMPEDANCE (OHMS):	50
FREQUENCY RANGE (GHz):	DC TO 18
VOLT RATING @ SEA LEVEL (VRMS MAX):	335
VSWR:	1.07+0.01f(GHz)
INSERTION LOSS: (dB MAX):	.03 √f(GHz)
RF LEAKAGE (dB MIN):	-90 @ 2-3 GHz
CORONA 70,000 FT (VRMS MIN):	250
DIELECTRIC WITHSTANDING VOLTAGE (VRMS MIN) AT SEA LEVEL:	1000
I.R. (MEGOHMS MIN):	5,000
RF HIGH POTENTIAL AT SEA LEVEL (VRMS MIN @ 5 MHz):	670
CONTACT RESISTANCE (MILLIOHMS MAX):	CENTER CONTACT: 3.0 OUTER CONTACT: 2.0 CABLE TO HOUSING: 0.5



AS SHIPPED TO CUSTOMER



ASSEMBLED VIEW

DESIGNED TO USE	RG-405/U OR EQUIVALENT
CABLE ENTRY	DIAMETER MIN
HOUSING:	N/A
CONTACT:	.021 [0.53]
CLAMP NUT:	N/A
SLEEVE:	.087 [2.21]
-	-

THIS DRAWING IS A CONTROLLED DOCUMENT.	
DIMENSIONS:	TOLERANCES UNLESS OTHERWISE SPECIFIED:
INCHES [mm]	
0 PLC ± -	1 PLC ± -
2 PLC ± -	3 PLC ± .005 [0.13]
4 PLC ± -	ANGLES ± -
MATERIAL	FINISH
SEE TABLE	SEE TABLE

DWN	J. KAISER	9/26/02	Tyco Electronics Corporation Harrisburg, PA 17105
CHK	J. LIPPERT	11-20-02	
APVD	J. LIPPERT	11-20-02	
PRODUCT SPEC	NAME		
APPLICATION SPEC	408-4918		SMA STRAIGHT CABLE PLUG-SOLDER CLAMP ATTACHMENT (M39012/79-3107) CAT E
WEIGHT	TBD	SCALE	5:1
CUSTOMER DRAWING	SIZE	A2	CAGE CODE 00779 DRAWING NO. 1050789 RESTRICTED TO -
		SHEET	1 OF 1
		REV	0

1050789

1050789-1
PART NO.