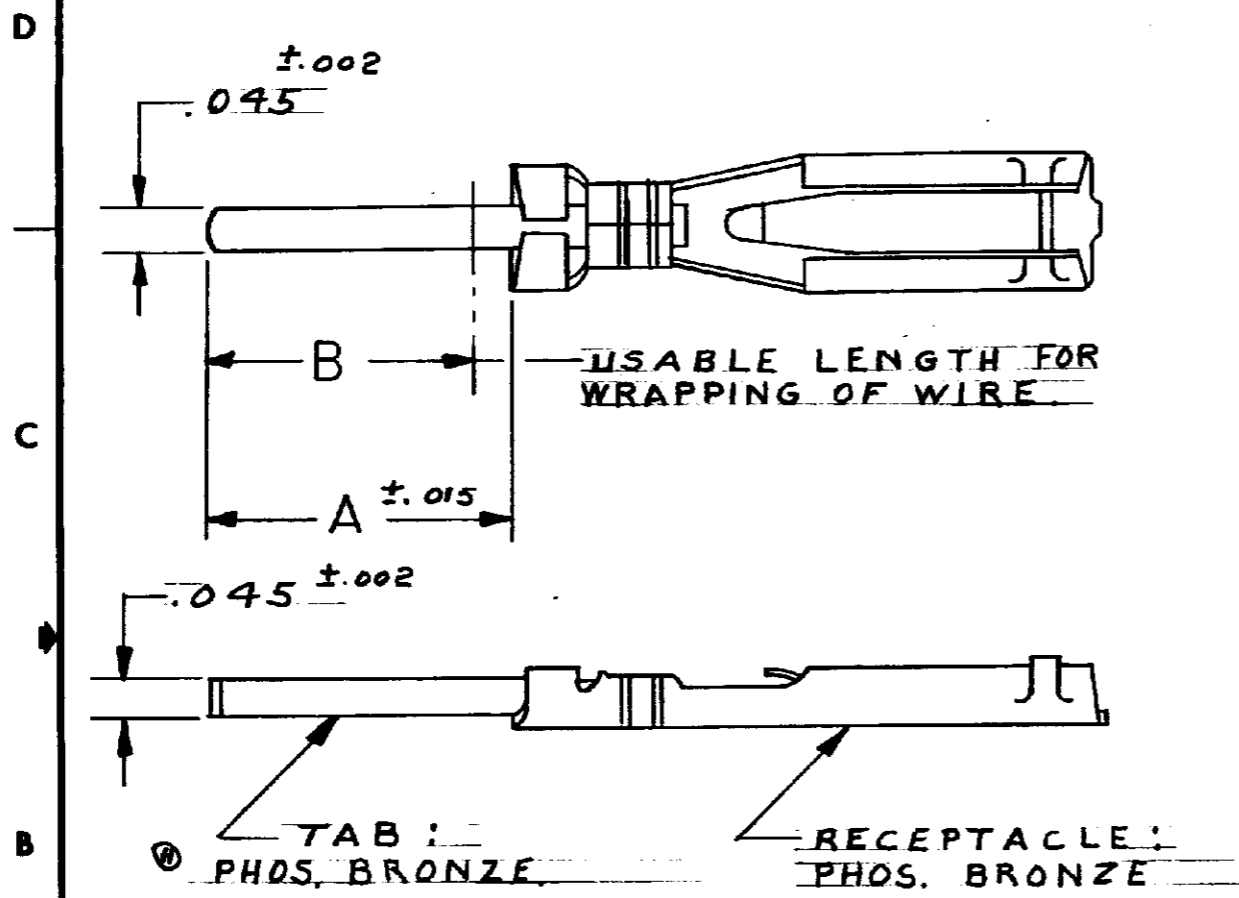


DRAWING MADE IN THIRD ANGLE PROJECTION

© COPYRIGHT 19 63 BY AMP INCORPORATED, HARRISBURG, PA.
ALL INTERNATIONAL RIGHTS RESERVED. AMP INCORPORATED PRODUCTS
COVERED BY U. S. AND FOREIGN PATENTS AND/OR PATENTS PENDING.

		REVISIONS				
P	F	ZONE	LTR	DESCRIPTION	DATE	APPROVED
			G	REDRAWN & REVISED 6188	8-79	
			H	REVISED 6299	10-79	
			H1	REVISED 6869 DISE	7-80	
			H2	ADDED 1-9 7844 AMS	3-82	EAM



- ① RECEPTACLE CONTACT: .000030 GOLD
TAB: TIN PLATED.
- ② RECEPTACLE CONTACT: .000015 GOLD
TAB: TIN PLATED.

.850	.810		①	1-582364-9
1.040	1.000	②		1-8
.810	.770	②		1-7
.640	.600	②		1-6
.410	.370		②	1-5
1.040	1.000	①		1-4
.810	.770	①		1-3
.640	.600		①	1-2
.410	.370		①	1-582364-1
A	B	FINISH	PART NO	

UNLESS OTHERWISE SPECIFIED DIMENSIONS ARE IN INCHES. TOLERANCES ON: DECIMALS ± .015 ANGLES ±	CONTRACT NO	AMP INCORPORATED Harrisburg, Pa.	
	DR <i>M. Smith</i>	NAME AMP BLADE	
	CHK <i>EP</i>	RECEPTACLE, WRAP TYPE	
	MATERIAL SEE CALLOUT	APPR <i>E. [unclear]</i>	SIZE B
FINISH SEE TABLE	APPR <i>[unclear]</i>	DSGN APPD	DRAWING NO 1-582364
	OTHER APPD	SCALE #	SHEET